



## Record Wall Rack Installation

### Mounting Hardware



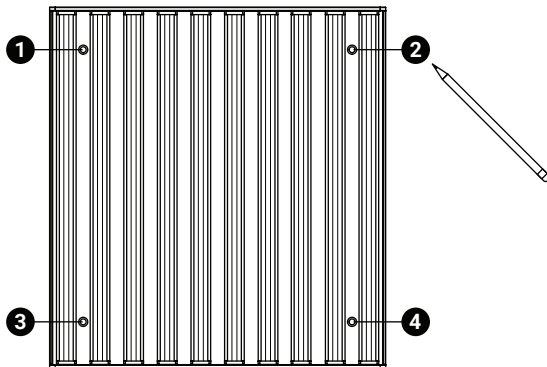
Drywall Anchor x4



Screw x4

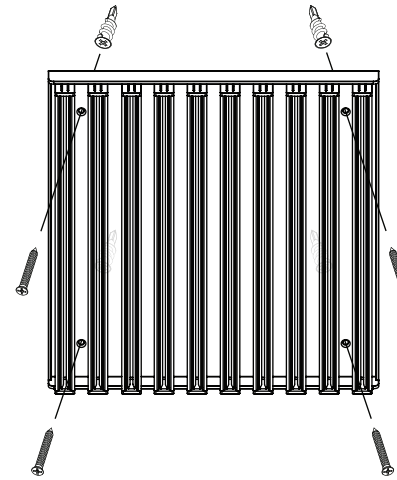
### Installation

1. Position the Record Rack onto your wall in the desired location. It is recommended that one row of holes (1&3 or 2&4) be positioned to screw directly into a wall stud. Once level, mark the location of the 4 mounting holes on the wall.



Continue to step 2 on back side.

2. Drill pilot holes for the mounting hardware. For hole locations directly into studs, use a 1/16" bit. For hole locations into drywall, use a 1/4" bit.



3. Use the included mounting hardware to secure the Record Rack onto your wall. Use only the screws for holes going into studs, and use both the anchors and screws for holes into only drywall.

#### 90 DAY LIMITED WARRANTY

This product is warranted by Koss to be free from the date of original purchase. Koss agrees to remedy such defects by repairing or replacing at its option any product provided it is sent prepaid to the address listed below within the warranty period. ALL IMPLIED SHALL EXPIRE 90 DAYS FROM THE DATE OF ORIGINAL PURCHASE. Some states do not allow limitation on how long an implied warranty lasts, so the above limitation may not apply to you. KOSS SHALL NOT BE LIABLE FOR INCIDENTAL OR CONSEQUENTIAL DAMAGES ARISING OUT OF OR RESULTING FROM THE USE OF THE PRODUCT OR BREACH OF CONTRACT OR WARRANTY. Some states do not allow the exclusion or limitation of incidental or consequential damages, so the above limitations or exclusions may not apply to you. This warranty gives you specific legal rights, and you may also have other rights which vary from state to state.

For more information & a video tutorial visit:  
[www.Koss.com/RecordWallRack](http://www.Koss.com/RecordWallRack)