

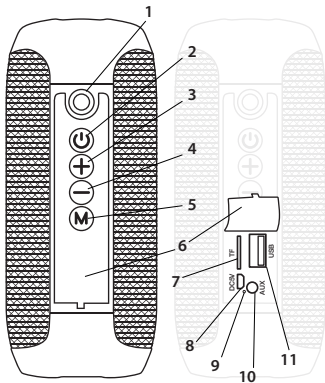
juice boom go ^{wireless speaker}



Package Contents

- Juice® BoomGo wireless speaker
- Micro USB to USB-A cable
- 3.5mm AUX cable
- Instruction booklet

Overview



Functionality

1. Carry strap hook
2. On/off button
3. +: Multi-function buttons: Press & hold to increase volume, press once to skip song
4. -: Multi-function buttons: Press & hold to decrease volume, press once to revert to previous song
5. Mode button
6. Silicone cover
7. TF/Micro SD card slot
8. Micro USB power input
9. Charging indicator light
10. 3.5mm AUX slot
11. USB flash drive slot

LED Indicators

	Indicator	Status
⚡	RED	Charging
	LED OFF	Fully Charged
BT	Flashing Blue	Pairing Mode
	Blue	Connected
	Slow Blue Flash	Music Playing

How to charge your Juice® BoomGo

1. Connect the micro USB connector from the cable to the **Juice® BoomGo**.
2. Plug the USB connector to a USB compatible wall charger with 1A current output (DC5V, 1200mA). A red LED light will appear to indicate charging.
3. The LED light will turn off once the **Juice® BoomGo** is fully charged.
4. It is recommended that you charge for 10 minutes before use if you haven't used it in over a week.

Note: A full charge takes approximately 3 hours. The charge will last up to 10 hours.

Playing audio from your Bluetooth® device

1. Press the Mode button once to enter BT mode.
2. Go into the Bluetooth® settings on your music source and search for Bluetooth® devices.
3. Connect to "**Juice Boom Go**". Once connected simply play your music.
4. To skip to the next track, press the '+' button once. To revert to previous track, press the '-' button once.
5. To increase the volume, hold the '+' button for more than 3 seconds. To decrease the volume, hold the '-' for more than 3 seconds.
6. Press the on/off button once to pause or play your music.

Note: For Android devices, the maximum volume attainable through the Boom Go's '+' & '-' buttons is dictated by the volume controls on your device. Ensure your device is at full volume if you want your Boom Go at its maximum volume.

Automatic call answering

1. Press the 'Mode' button to accept an incoming call. Hold the 'Mode' button for 3 seconds to reject an incoming call.
2. Press the 'Mode' button twice to redial the last number called.

Specifications

Model No.	Juice® Boom Go	Output Power	3Wx2
Power Capacity	1200mAh	Input Voltage	DC9V/1A
Playback Time	10 hours	Operating Distance	Up to 33ft (10m)
Water Res.	IPX4 Rating	Charge Time	3 hrs
Dimensions	72 x 72 x 160 mm	Net Weight	420 g
Bluetooth® Version	Bluetooth® 5.0		

Troubleshooting

Failed connection

1. Make sure the speaker is fully charged.
2. Make sure the speaker is in Bluetooth® mode.
3. Make sure your Bluetooth® device is available for connection.
4. Make sure the speaker is in range (10m) of your Bluetooth® device.

Note: If your device isn't paired to your speaker within 3 minutes, turn the speaker off & on again (ensure Bluetooth® pairing is re-activated).

Device successfully paired, but no audio

Make sure the Bluetooth® device's volume is set to a reasonable listening level.

Music quality low

1. Ensure there are not any solid obstacles between the device and speaker.
2. View the distance between the device and the speaker has not exceeded effective wireless connection range of 8-12 metres.
3. Check the playback device or whether the speaker is in a low power state.

Safety Warnings

This product is designed with full attention for safety performance. To ensure safe operation, please follow the following rules:

1. Place the speaker in a stable position to avoid fall and cause damage or personal injury.
2. Do not drop, disassemble, open, crush, bend, puncture, or burn the speaker.
3. Do not keep close to any heat source (such as radiators, heating tools, stoves or other heat generating sources)
4. Please send professional maintenance staff to repair for any damage related reasons.
5. Before wiping with a dry cloth to clean the speaker, ensure the speaker is turned fully off and is not connected to a power outlet.

6. Health considerations, please adjust the sound to a suitable level to avoid damage to hearing.
7. Only charge with devices rated and marked with 5V to avoid damage to the speaker.
8. To keep the warranty valid, never try to repair the product yourself.
9. Beware of rough handling as this can break the internal circuit boards and the mechanics.
10. Dispose of this product safely.
11. All juice products are tested comprehensively to ensure quality.
12. Children should be supervised to ensure that they do not play with this product.

Legal Liability

Juice® speakers can only be used with compatible products. Please read your devices instructions to determine whether this product matches your devices requirements. The manufacturer will not be liable for any damage to your electronic equipment during the use of this product. Juice will not be held responsible for any equipment or accessories not suitable for use with this speaker. The manufacturer will not be held liable for damage caused by misuse or damage incurred by the buyer or the third party rising from any intentional or unintentional use of this product.



Made from 100% recycled plastics

18% of the material on this product is made from recycled post consumer waste plastic.

Designed in the UK. Ethically made in China. Please retain packaging & instructions for future reference. Design & specification may be subject to change without prior notice. Juice® Boom Go is part of the @juice® brand.

**SCAN ME FOR
1-YEAR WARRANTY**

Caution: If the batch code is removed from the product, the warranty will be void.



customerservices@juice.co.uk,
Juice®, 10 Haslemere Way,
OX16 5RW, UK

Box 133, 3 Lombard Street East,
Dublin 2, D02 HC78, Ireland
Helpline number: +3531 5256712



WASTE ELECTRICAL PRODUCTS SHOULD NOT BE DISPOSED OF WITH HOUSEHOLD WASTE. PLEASE RECYCLE WHERE FACILITIES EXIST. CHECK WITH YOUR LOCAL AUTHORITY FOR RECYCLING ADVICE.