



HEALTHCARE



PAINTING  
& FINISHING



LABORATORY



HOME  
MAINTENANCE



FOOD  
PROCESSING



HAIRDRESSERS



CLEANING  
& SANITIZING



TATTOO  
ARTISTS



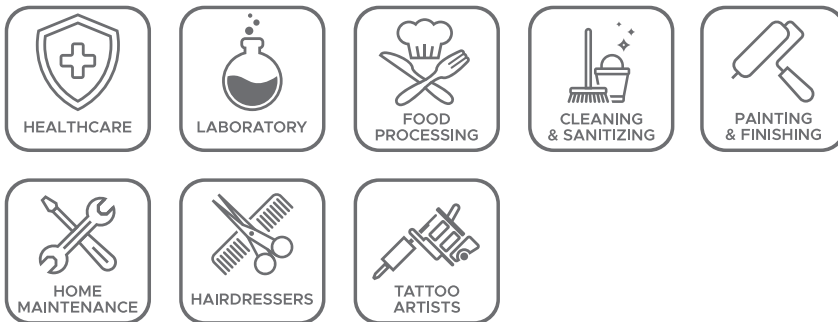
# NITRILE | EXAMINATION GLOVES

Latex Free | Powder Free | Non sterile | Textured | Ambidextrous

## FEATURES

- Ambidextrous
- Made from nitrile-butadiene rubber.
- No plasticizers, esters, silicone oil, or powder.
- High degree of comfort, elasticity, acid and alkali resistance, oil resistance, and bacteria resistance.

## RECOMMENDED USE



## CERTIFICATES





## PRODUCT INFORMATION & SPECIFICATIONS

<b>PRODUCT</b>	Disposable Nitrile Examination Gloves - Powder Free
<b>SPECS</b>	<ul style="list-style-type: none"> <li>. Powder free</li> <li>. Textured surface</li> <li>. Not sterile</li> <li>. Molded cuff</li> <li>. With rolled edge</li> <li>. Straight fingers</li> <li>. Ambidextrous</li> </ul>
<b>COLOR</b>	Blue
<b>MATERIAL</b>	Nitrile Blend
<b>THICKNESS</b>	4-7Mil
<b>PACKING MODE</b>	100pcs / pack   10boxes / Carton
<b>QUALITY ASSURANCE</b>	<ul style="list-style-type: none"> <li>. US FDA Quality System Regulation (QSR)</li> <li>. FDA 510(k): K171873</li> <li>. EN ISO 13485:2012</li> <li>. EN ISO 13485:2012/AC:2012</li> <li>. GB/4806.11-2016</li> <li>. ASTM 6319</li> </ul>
<b>VALIDITY</b>	3 Years
<b>AVAILABLE SIZES</b>	M - L - XL
<b>COUNTRY OF MANUFACTURE</b>	OEM CHINA





## TECHNICAL INFORMATION

SPECIFICATION: 3.5±0.3g / M							
SIZE	Length	Width	Thickness (mm)			Strength	Stretch
	(mm)	(mm)	Cuff	Palm	Finger	≥ 18 MPA	≥ 500%
M	240	80	0.05	0.07	0.10	≥ 18 MPA	500 - 540

SPECIFICATION: 4.0±0.3g / L							
SIZE	Length	Width	Thickness (mm)			Strength	Stretch
	(mm)	(mm)	Cuff	Palm	Finger	≥ 18 MPA	≥ 500%
L	240	90	0.05	0.07	0.10	≥ 18 MPA	500 - 540

SPECIFICATION: 4.5±0.3g / XL							
SIZE	Length	Width	Thickness (mm)			Strength	Stretch
	(mm)	(mm)	Cuff	Palm	Finger	≥ 18 MPA	≥ 500%
XL	240	100	0.05	0.07	0.10	≥ 18 MPA	500 - 540



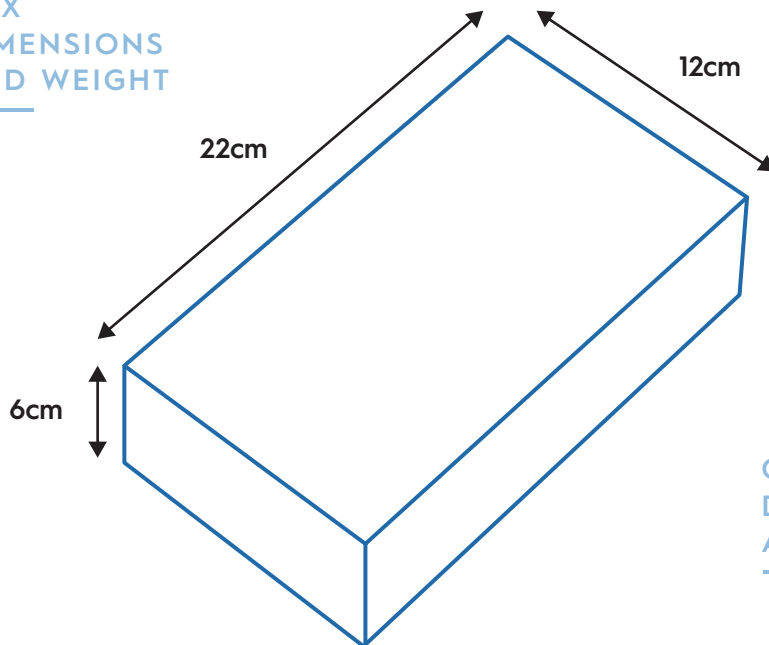
- Do not store above 100 degrees Fahrenheit
- Do not store in direct sunlight
- Keep away from heat sources
- Always wash your hands after use
- Store in a dry, cool location





## DIMENSIONS AND PACKAGING

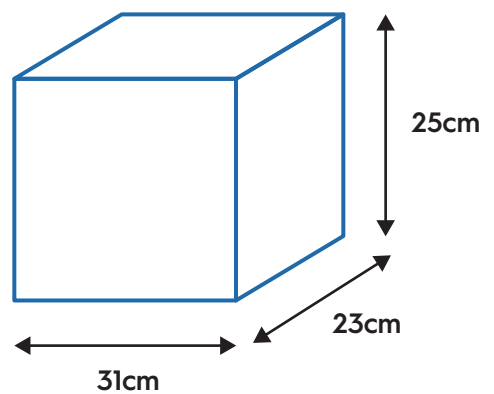
### BOX DIMENSIONS AND WEIGHT



### WEIGHT PER BOX

<b>M</b>	<b>L</b>	<b>XL</b>
350g	400g	450g

### CARTON DIMENSIONS AND WEIGHT



### WEIGHT PER CARTON

<b>M</b>	<b>L</b>	<b>XL</b>
3500g	4000g	4500g

1,000 Units (10 Boxes per carton)

