



Thunder UTV 24V USERS MANUAL

With Assembly Instructions



- Suitable for 3+ Years
- Maximum user weight: 140 lbs.



WARNING

Must be assembled by an adult.

Read and understand this entire manual before using!

Please keep this manual for future reference as it contains important information

On the purchase of your new Ride-On.

This ride-on car will provide your child with many miles of riding of enjoyment. To help assure you and your rider a safe ride we ask you to please read this manual carefully and keep it for future reference.

Follow the recommendations in this manual, they are designed to improve the safety and operation of your ride-on car and its rider.

Specification

Suitable age:	3+ Years
Charge time:	8-12 hours
Load capacity:	140 lbs.
Size of car:	56.29 x 38 x 33.26 inches
Speed:	2-5 mph



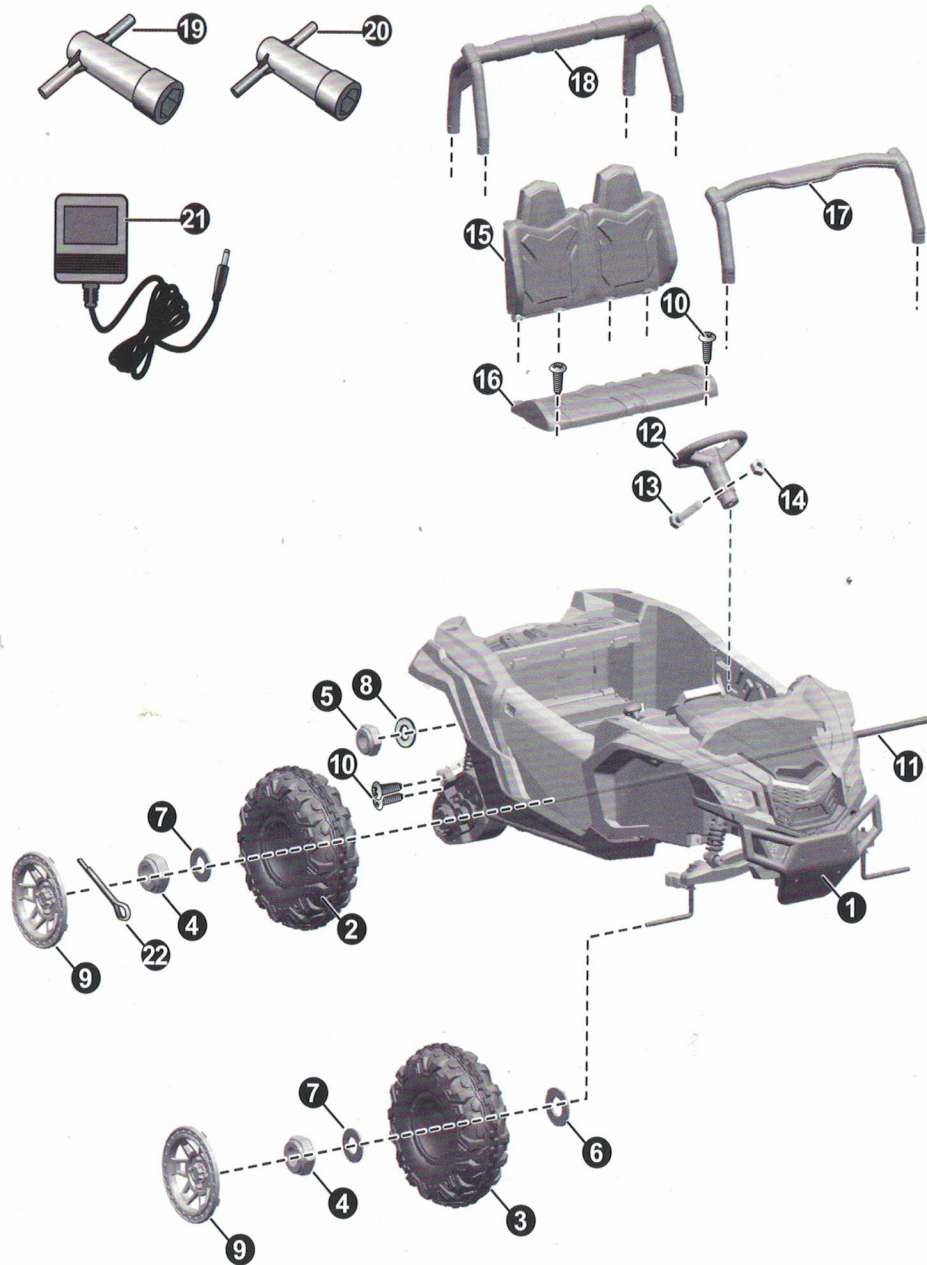
BATTERY INFORMATION

- Non-rechargeable batteries are not to be recharged.
- If removable rechargeable batteries are used, they are only to be charged under adult supervision.
- Remove rechargeable batteries from the product before charging.
- Do not mix old and new batteries. Do not mix different types of batteries: alkaline, standard (carbon-zinc) or rechargeable (nickel-cadmium).
- Insert batteries as indicated inside the battery compartment, a node to anode, cathode to cathode.
- Remove batteries during long periods of non-use. Always remove exhausted batteries from the product. Battery leakage and corrosion can damage this product. Dispose of batteries safely.
- Never short circuit the battery terminals.

NO.	PART NAME	REMARK	
		2WD	
1	Vehicle body	1	
2	Driving wheel	2	
3	Front wheel	2	
4	M10 lock nut	4	
5	M8 lock nut	2	
6	Ø12 washer	2	
7	Ø10 washer	4	
8	Ø8 plastic washer	2	
9	Wheel cover	4	
10	Ø4x12 screws	6	
11	Rear axle	1	
12	Steering wheel	1	
13	M5x38 machine screw	1	
14	M5 Lock nut	1	
15	Seat back	1	
16	Seat	1	
17	Windshield	1	
18	Rear roll bar	1	
19	M10 Socket wrench	2	
20	M8 Socket wrench	2	
21	Charger	1	
22	Split pin	2	

Parts Diagram

HINT: Some parts shown are assembled on both sides of vehicle



**PREVENT INJURIES AND DEATHS:**

- NEVER LEAVE CHILD UNATTENDED. ADULT DIRECT SUPERVISION IS REQUIRED. Always keep child in view when child is in vehicle.
- This toy should be used with caution since skill is required to avoid falls or collisions causing injury to the user or third parties.
- Protective equipment should be worn.
- To reduce the risk of injury, adult supervision is required. Never use in roadways, near motor vehicles, on or near steep inclines or steps, swimming pools or other bodies of water, always wear shoes, and never allow more than 2 riders.
- Always wear shoes, always sit on the seat.
- Not to be used in traffic.
- This toy is unsuitable for children under 36 months due to its maximum speed; Maximum user weight is 140 lbs.
- This toy has no brake.

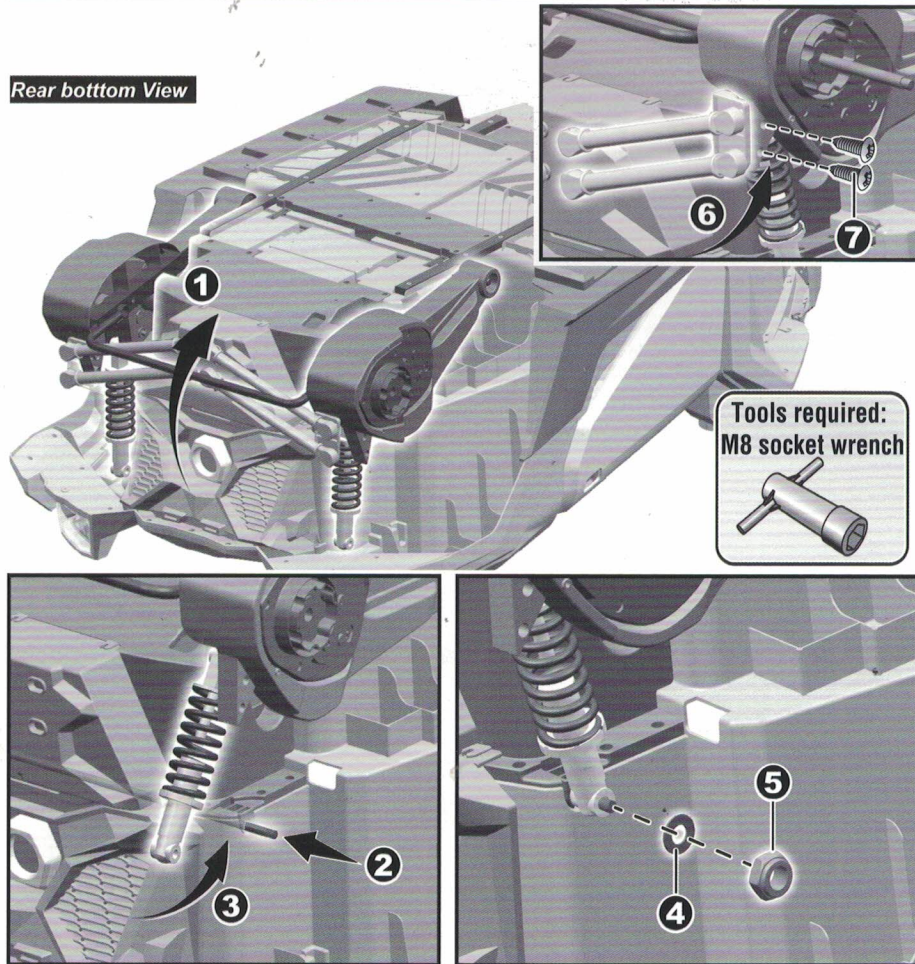
**WARNING:**

- **CHOKING HAZARD!** Not suitable for children under 36 months.
- **Must be assembled by an adult.**

Rules for Safe Riding

- Keep Children within Safe Riding Areas:
 - Never use in roadway, near motor vehicles, on lawn space, on or near steep inclines or steps, swimming pools or other bodies of water;
- Use the toy only on flat surfaces. Such as inside your house, garden or playground.
- Never use in the dark. A child could encounter unexpected obstacles and have an accident. Operate the vehicle only in the daytime or a well-lit area.
- It is prohibited to change the circuit or add other electric parts
- Inspect wires and connections of the vehicle periodically.
- Do not let any child touch the wheels or be near them when the car is moving .
- This vehicle has adjustable play seat belts. Please instruct children how to tie the safety belt before using, guarantee the security.

Rear bottom View



Turn the vehicle body upside down. Cut off the plastic tie on the rear gear box frame with scissors. And remove the Ø8 nut and Ø8 plastic washer from the shock axle with a M8 socket wrench.

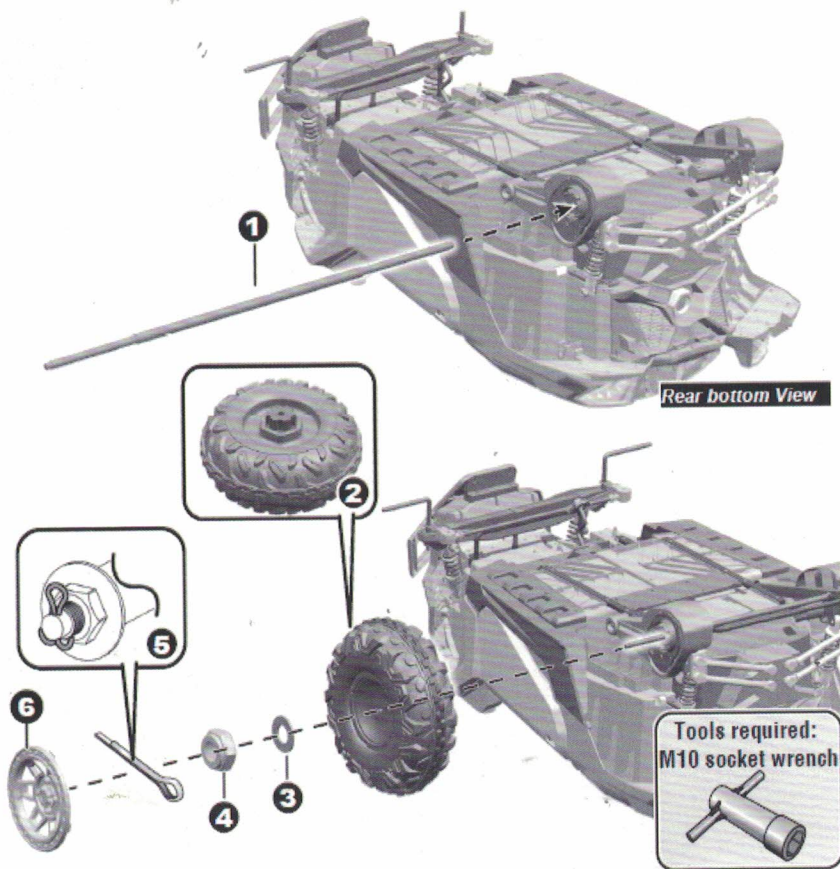
1. Lift up the rear gear box frame.

2-3. Move the shock axle still the shock absorber can be fitted in the correct position.

4-5. Slide a Ø8 plastic washer, and tighten a Ø8 nut to the end of the shock axle with a M8 socket wrench.

Repeat steps 2-5 to attach other shock absorber.

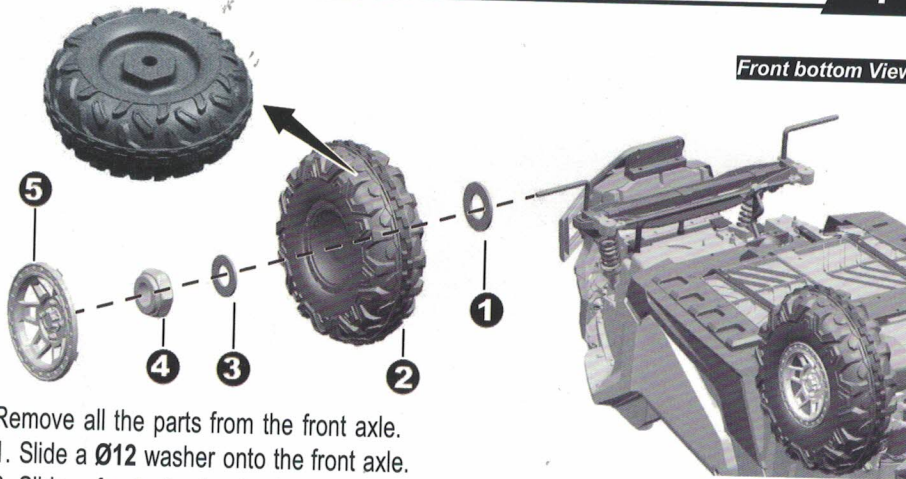
6. Align the holes on the rear gear box frame with the holes on the frame linkage, insert two Ø4x12 screws and tighten with a screwdriver. Repeat for the other side.



1. Insert the rear axle through the gear box on one side of the vehicle body, and out through the gear box on the other side of the vehicle body.
2. Slide a rear wheel onto the rear axle.
3. Slide a $\text{\O}10$ washer onto the rear axle.
4. Tighten a **M10 locknut** to the end of the rear axle with a **M10 socket wrench**.
5. Insert a split pin into the hole on each end of the rear axle. Bend the ends of split pins back using a long nose pliers (not included).
6. "Snap" the wheel covers to the wheels.

Repeat for the other rear wheel.

Front bottom View

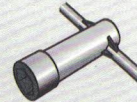


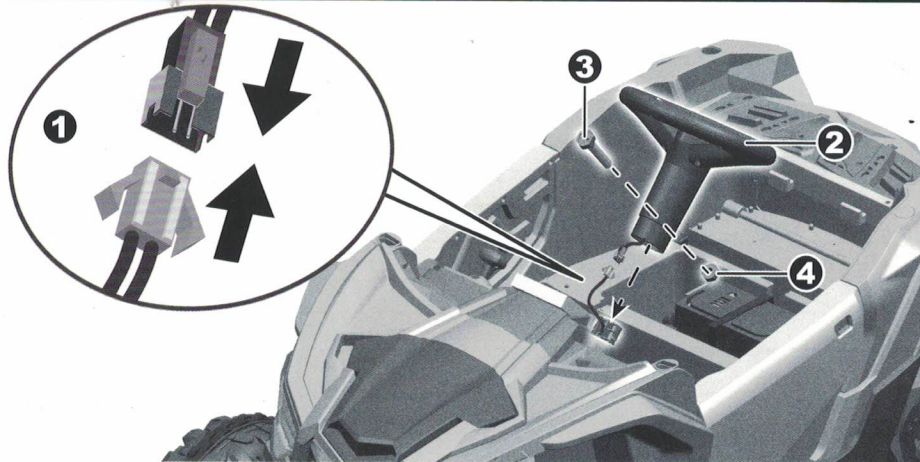
Remove all the parts from the front axle.

1. Slide a $\varnothing 12$ washer onto the front axle.
2. Slide a front wheel onto the front axle.
3. Slide a $\varnothing 10$ washer onto the front axle.
4. Tighten a lock nut to the end of the front axle with a spanner. DO NOT over tighten.
5. "Snap" the hubcap to the wheel.

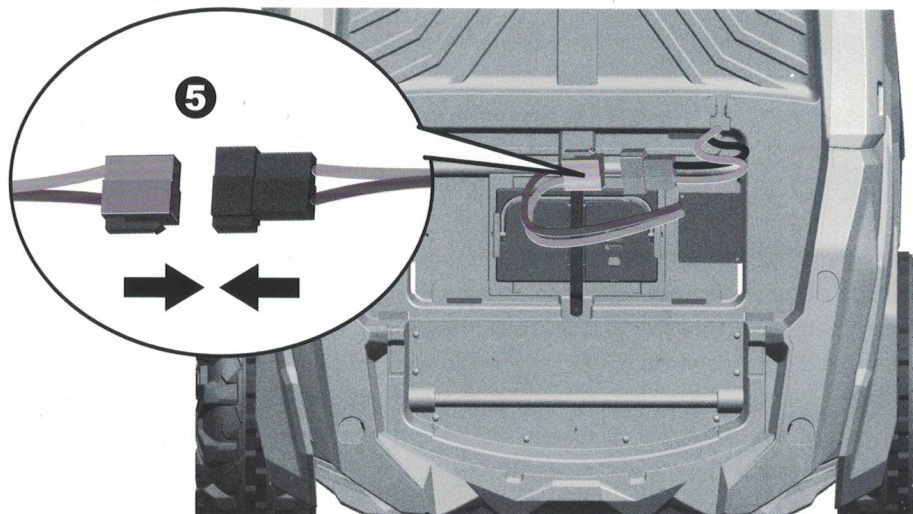
Repeat the above procedure to assemble the other rear wheel.

Tools required:
M10 socket wrench.





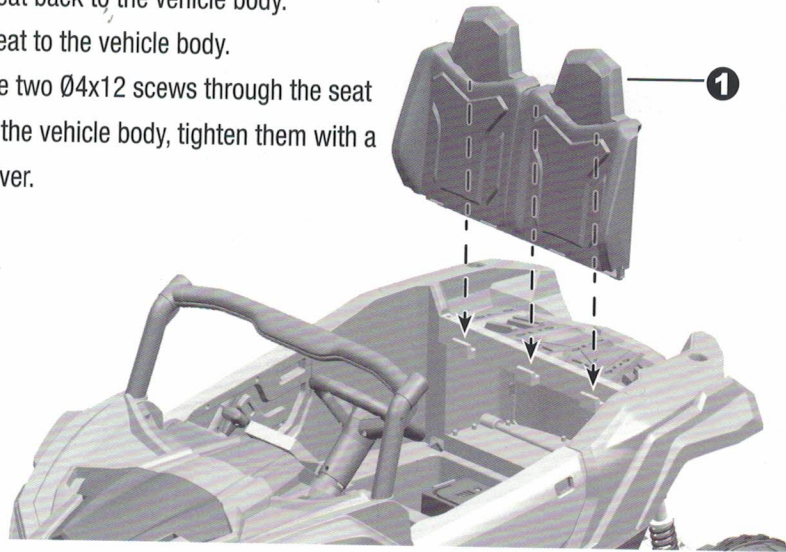
1. Plug the sound unit connector on the steering wheel into the connector on the vehicle body.
2. Fit the steering wheel to the steering wheel base on the vehicle body, and hide the plugged connectors into the steering wheel.
3. Line up the holes on the steering wheel with the holes on the steering column, insert the M5x38 machine screw.
4. Fasten a nut on the opposite end of the screw with a screwdriver.
5. Plug the red connector on the vehicle body into the red connector on the battery.



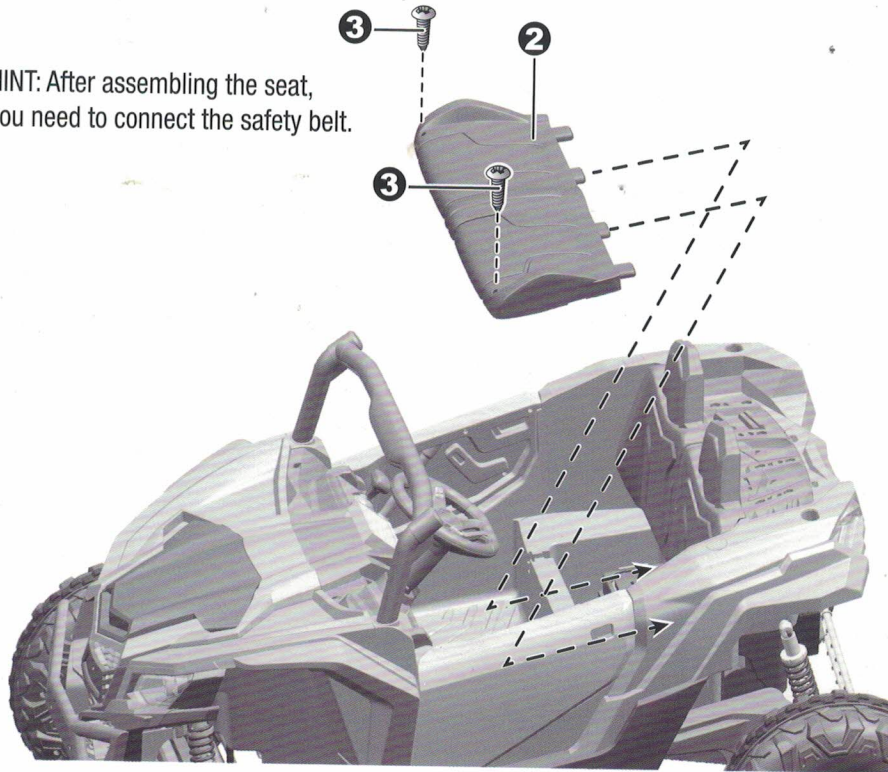
Attach the Seat & Seat back

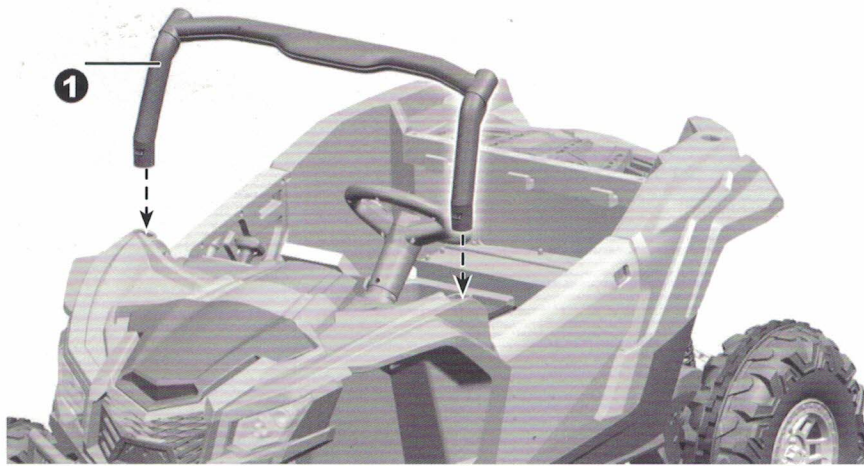
9

1. Fit the seat back to the vehicle body.
2. Fit the seat to the vehicle body.
3. Insert the two $\varnothing 4 \times 12$ screws through the seat and into the vehicle body, tighten them with a screwdriver.

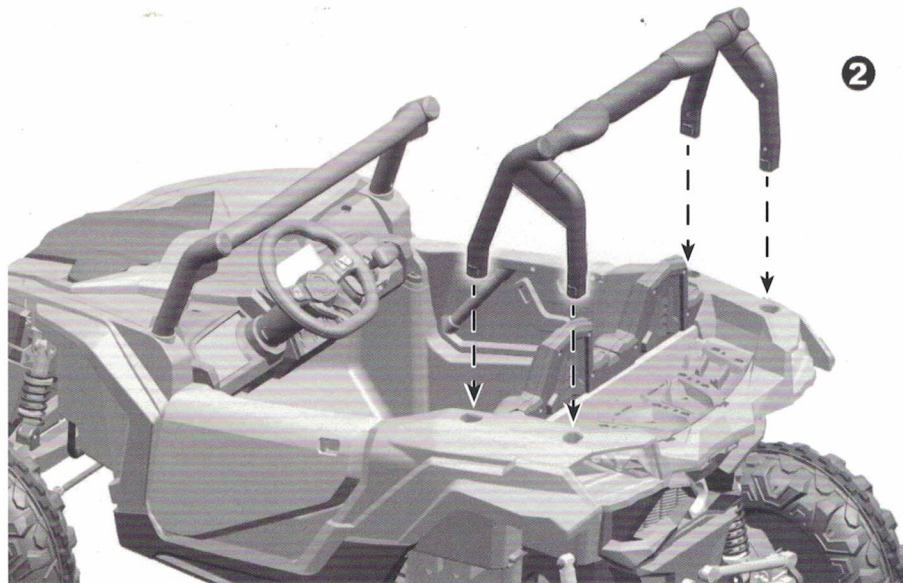


HINT: After assembling the seat, you need to connect the safety belt.





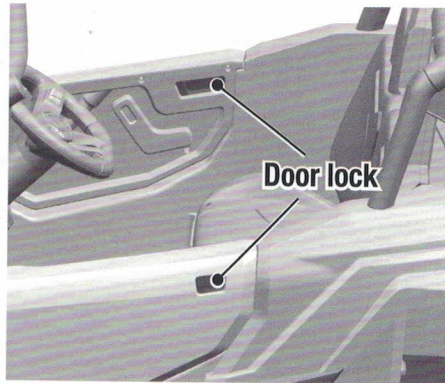
1. Insert the tabs on the windshield into the grooves on the vehicle body, push until you hear it "click" into place.
2. Insert the tabs on the hood into the grooves on the vehicle body, push until you hear it "clicks" into place.



Use The Door

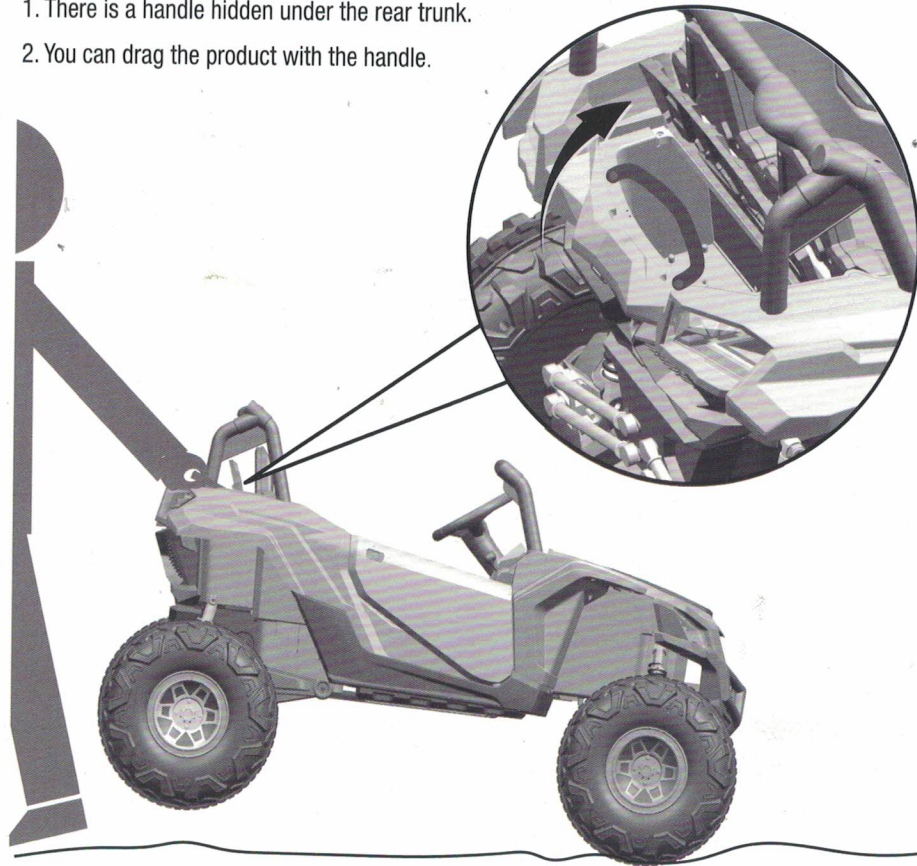
11

There is a door lock inside each door, you can operate it inside and outside



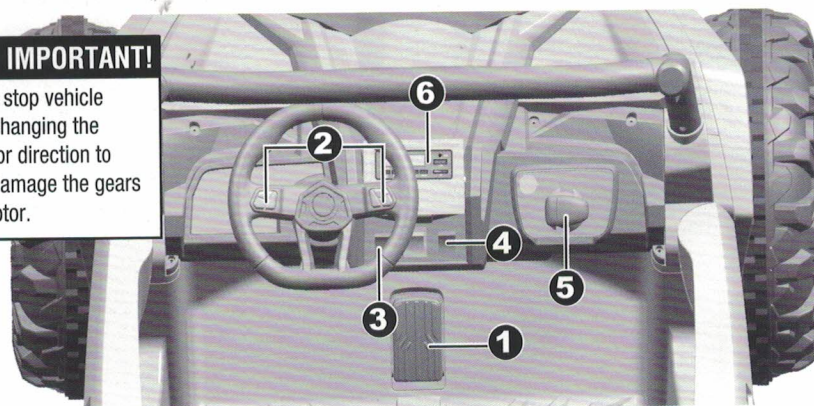
Use The Handle

1. There is a handle hidden under the rear trunk.
2. You can drag the product with the handle.



**IMPORTANT!**

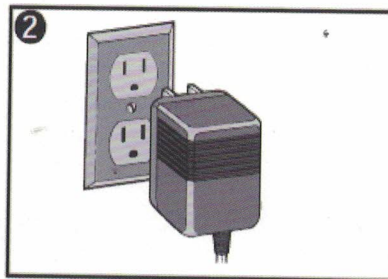
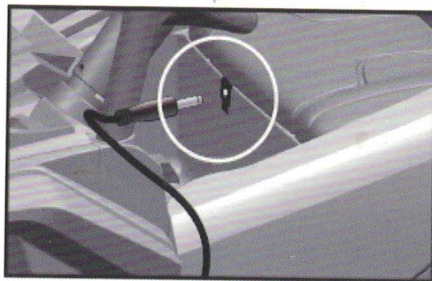
Always stop vehicle when changing the speed or direction to avoid damage the gears and motor.



- 1. Foot pedal:** ● To move the vehicle, press the pedal down.
● To brake or slow down, release pressure from the pedal.
- 2. Horn button:** Press for horn playing.
- 3. Power switch:** Turns the vehicle on and off.
- 4. Light switch:** Turns the lights on and off.
- 5. Shift switch:** To select forward or reverse gear.
The vehicle equipped with 2 speeds in forward: high speed / low speed.
HINT: The vehicle is designed to operate in low speed only in reverse.
- 6. Battery Power Display**

⚠ WARNING!**ONLY AN ADULT CAN CHARGE AND RECHARGE THE BATTERY!****⚠ WARNING!****This product with Charging Protection: when charging, all functions will be cut off! Only an adult can charge and recharge the battery!**

- The POWER SWITCH must be turned in OFF position when charging.
- Do not recharge the battery for more than 12 hours to avoid overheating the charger.
- When the vehicle begins to run slowly, recharge the battery.
- Use the only rechargeable battery and charger supplied with your vehicle. NEVER substitute the battery or the charger with another brand. Using another battery or charger may cause a fire or explosion.
- Do not use the battery or charger for any other product.



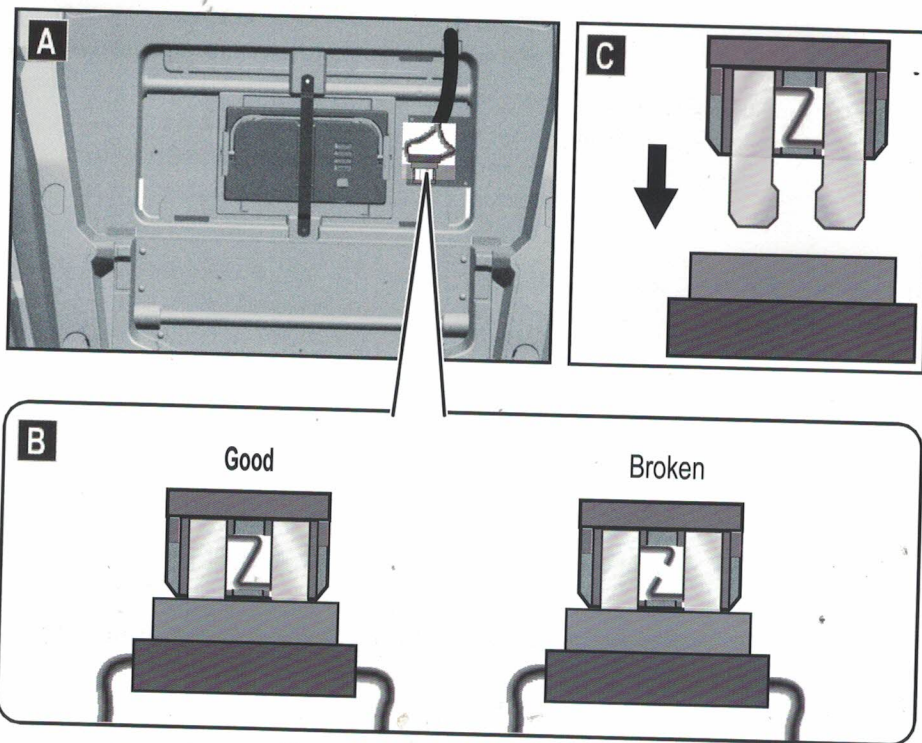
1. Plug the charger port into the input socket. (Below the seat)
2. Plug the charger plug into a wall outlet. The battery will begin charging.
3. For safety purposes, the car will not turn on when the charger is connected to the car.

Problem	Possible Cause	Solution
Vehicle does not run	Battery low on power	Recharge battery.
	Thermal fuse has tripped	Reset fuse, see <Fuse>
	Battery connector or wires are loose	Check that the battery connectors are firmly plugged into each other. If wires are loose around the motor, contact Best Ride On Cars.
	Battery is dead	Replace battery, contact Best Ride On Cars.
	Electrical system is damaged	Contact Best Ride On Cars.
	Motor is damaged	Contact Best Ride On Cars.
Vehicle does not run very long	Battery is under charged	Check that the battery connectors are firmly plugged into each other when recharging
	Battery is old	Replace battery, contact Best Ride On Cars.
Vehicle runs sluggishly	Battery low on power	Recharge battery, contact Best Ride On Cars.
	Battery is old	Replace battery, contact Best Ride On Cars.
	Vehicle is overload	Reduce weight on vehicle.
	Vehicle is being used in harsh conditions	Avoid using vehicle in harsh conditions, see <Safety>.
Vehicle needs a push to go forward	Poor contact of wires or Connectors	Check that the battery connectors are firmly plugged into each other. If wires are loose around the motor, contact Best Ride On Cars.
	"Dead Spot" on motor	A dead spot means the electric power is not being delivered to the terminal connection and the vehicle needs repair. Contact Best Ride On Cars
Difficult shifting from forward to reverse or vice-versa	Attempting to shift while the vehicle is motion	Completely stop the vehicle and shift, see <Use Your New Vehicle>
Loud grinding or clicking noises coming from motor or gear box	Motor or gears are damaged	Contact Best Ride On Cars.
Battery will not recharge	Battery connector or adapter connector is loose	Check that the battery connectors are firmly plugged into each other.
	Charger not plugged in	Check that the battery charger is plugged into a working wall outlet.
	Charger is not working	Contact Best Ride On Cars.
Charger feels warm when recharging	This is normal and not a cause for concern	

Completely read through this manual and the troubleshooting guide table before calling. If you still need help resolving the problem **Best Ride On Cars 1-888-411-1786.**

- It is parents' responsibility to check main parts of the toy before using, must regularly examine for potential hazard, such as the battery, charge, cable or cord, plug, screws are fastening enclosure of other parts and that in the event of such damage, the toy must not be used until that damage had been properly removed.
- Make sure the plastic parts of the vehicle are not cracked or broken.
- Occasionally use a lightweight oil to lubricate moving parts such as wheels.
- Park the vehicle indoors or cover it with a tarp to protect it from wet weather.
- Keep the vehicle away from sources of heat, such as stoves and heaters. Plastic parts may melt.
- Recharge the battery after each use. Only an adult can handle the battery. Recharge the battery at least once a month when the vehicle Raider is not being used.
- Do not wash the vehicle with a hose. Do not wash the vehicle with soap and water. Do not drive the vehicle in rainy or snowy weather. Water will damage the motor, electric system and battery.
- Clean the vehicle with a soft, dry cloth. To restore shine to plastic parts, use a non-wax furniture polish. Do not use car wax. Do not use abrasive cleaners.
- Do not drive the vehicle in loose dirt, sand or fine gravel which could damage the moving parts, motors or the electric system.
- When not using, all the electrical sources should be turned off. Turn off the powerswitch and disconnect the battery connection.

Lights & Fuse



When the vehicle lights and Mp3 won't work, please check the fuse first and see whether it is broken. If the fuse is broken (fig B), please change with a new one (fig C), there is a spare fuse in the assembly package. The fuse is under the seat (fig A).

 **RISK OF FIRE. Do not bypass. Replace only with a new fuse.**

Battery Fuse

The battery features a thermal fuse with a reset fuse that will automatically trip and cut all power to the vehicle if the motor, electric system or battery is overloaded. The fuse will reset, and power will be restored after the unit is turned OFF for 20 seconds and then turned ON again. If the thermal fuse trips repeatedly during normal use, the vehicle may need repair. Contact your distributor please.

To avoid losing power, follow these guidelines:

- Do not overload the vehicle.
- Do not tow anything behind the vehicle.
- Do not drive-up steep slopes.
- Do not drive into fixed objects, which may cause the wheels to spin, causing the motor to overheat.
- Do not drive in very hot weather, components may overheat.
- Do not allow water or other liquids to come in contact with the battery or other electric components.
- Do not tamper with the electric system. Doing so may create a short, causing the fuse to trip.



RISK OF FIRE. Do not bypass. Replace only with a new fuse.



- Your sealed lead-acid battery must be recycled or disposed of in an environmentally sound manner.
- Do not dispose of your lead-acid battery in a fire. The battery may explode or leak.
- Do not dispose of a lead-acid battery in your regular, household trash. The incineration, land filling or mixing of sealed lead-acid batteries with household trash is prohibited by law.

Our products are suitable for ASTM F963

WARNING: Battery Charger

This device complies with Part 15 of the FCC Rules. Operation is subject to the following two conditions: (1) This device may not cause harmful interference, and (2) This device must accept any interference received, including interference that may cause undesired operation.

BRC TOYS LLC

11937 DENTON DR STE 100 DALLAS TX 752347235 UNITED STATES

WARNING: This device complies with Part 15 of the FCC Rules. Operation is subject to the following two conditions: (1) This device may not cause harmful interference, and (2) This device must accept any interference received, including interference that may cause undesired operation.

CAUTION: Changes or modifications not expressly approved by the party responsible for compliance could void the user's authority to operate the equipment.

NOTE: This equipment has been tested and found to comply with the limits for a Class B digital device, pursuant to Part 15 of the FCC Rules. These limits are designed to provide reasonable protection against harmful interference in a residential installation. This equipment generates, uses, and can radiate radio frequency energy and, if not installed and used in accordance with the instructions, may cause harmful interference to radio communications. However, there is no guarantee that interference will not occur in a particular installation. If this equipment does cause harmful interference to radio or television reception, which can be determined by turning the equipment off and on, the user is encouraged to try to correct the interference by one more of the following measures:

- Reorient or relocate the receiving antenna.
- Increase the distance between the equipment and receiver.
- Connect the equipment into an outlet on a circuit different from that to which the receiver is connected.
- Consult the dealer or an experienced radio/TV technician for help.

Use caution as misusing or mishandling the battery may cause a FIRE or EXPLOSION which may result in personal injury, property damage, or death. The user must have an appropriate understanding of the potential dangers of NON SPILLABLE LEAD ACID ION BATTERIES before purchase and usage. No express or implied guarantee of compatibility, suitability, or fitness for any particular purpose or device can be made. This battery is manufactured and sold for the intended use of system integrations with proper protection circuitry or battery packs with a BMS (battery management system) or PCB (circuit board/module). This battery is neither designed nor intended to be used with an E-CIGARETTE, VAPORIZER, or similar device and MUST NOT be used with such devices due to RISK OF FIRE or EXPLOSION. If purchasing this battery for resale purposes, you MUST forward ALL warnings to ALL customers for their reference and safety!

- DO NOT USE WITH E-CIGARETTE, VAPORIZER, OR SIMILAR DEVICE
- DO NOT STORE BATTERY LOOSE OR IN A POCKET, PURSE, ETC. ALWAYS USE A PROTECTIVE CASE OR BOX FOR STORAGE AND TRANSPORT
- WHEN NOT IN USE, ALWAYS STORE NON SPILLABLE LEAD ACID ION BATTERIES IN THE PROTECTIVE CASE/BOX.
- Misusing or mishandling Non Spillable lead acid ion batteries can pose a SERIOUS RISK of PERSONAL INJURY, PROPERTY DAMAGE.
- BATTERIES MAY EXPLODE, BURN, OR CAUSE A FIRE IF MISUSED OR MISHANDLED
- Usage of batteries is AT YOUR OWN RISK!
- ONLY use with proper protection circuitry
- DO NOT short circuit intentionally or unintentionally.
- KEEP AWAY from metal/conductive objects to prevent short circuiting.
- DO NOT use if battery is damaged in any way.
- DO NOT over-charge or charge above the maximum voltage rating.
- DO NOT over-discharge or exceed the continuous discharge rating.
- DO NOT modify, disassemble, puncture, cut, crush, or incinerate.
- DO NOT expose to liquids or high temperatures.
- DO NOT solder onto battery, spot weld only.
- DO NOT use force to install or install in reverse/backwards.
- ONLY use within manufacturer's specification
- KEEP AWAY from pets and children.
- ALWAYS charge in or on a fire-proof surface and never leave batteries charging unattended.
- ONLY use a smart charger designed for this specific type of battery.
- DO NOT mix and match brands and models, old and new, used and unused batteries.
- STOP immediately if while charging/storing/using the battery it emits an unusual smell, feels hot, changes color or shape, or appears abnormal in any way.
- It is your responsibility to determine that your charger or device is functioning properly.
- If exposed to battery electrolyte, flush with water immediately and/or immediately contact a physician or emergency services.
- DO NOT throw away in trash; contact your local jurisdiction for proper recycling or disposal.
- Resellers MUST forward ALL warnings to ALL customers for their reference and safety.

Battery Recycling - Recycling Ride on battery



Ride on toys, electric bikes and electric scooters - we all have them and we all will have to replace our batteries at some point, or perhaps already have.

What to do with those used electric kids' car batteries?

You are not allowed to put them out with the trash and can't just toss them in the river or bury them in the back yard because it is devastating to the environment and the public health, not to mention illegal according to Federal law (40 CFR part 273). Most states have their own laws prohibiting the disposal of rechargeable batteries, as well. So, the big question - what to do with the old batteries?

The answer: recycle them!

You can take your used rechargeable batteries to one of your local Department of Sanitation's Household Special Waste Drop-off Sites. They offer battery recycling information for Nickel Cadmium (Ni-Cd), Nickel Metal Hydride (Ni-MH), Lithium Ion (Li-ion), or Small Sealed Lead (Pb) weighing 2 pounds or less.

Since most of us use lead batteries weighing much more than 2 pounds, check out your own city's Department of Sanitation web page and see what they have to offer - or else just call them. Another option is retail stores, like auto parts stores or service outlets, which sell new Sealed Lead Acid batteries. Most will likely accept a small number (one or two) of spent Sealed Lead Acid batteries for recycling.

Tip: When transporting batteries be sure to eliminate the terminal contacts by either placing the battery in a plastic bag or wrapping black electrical tape around them





Please contact **Best Ride on Cars** before returning this product to the retailer!!!

If you find that you have any trouble with assembly, missing or damaged parts, please contact us at:

Toll-Free: 1-888-411-1786

Ph: 469-209-8741

Or via EMAIL at:

sales@bestrideoncars.com