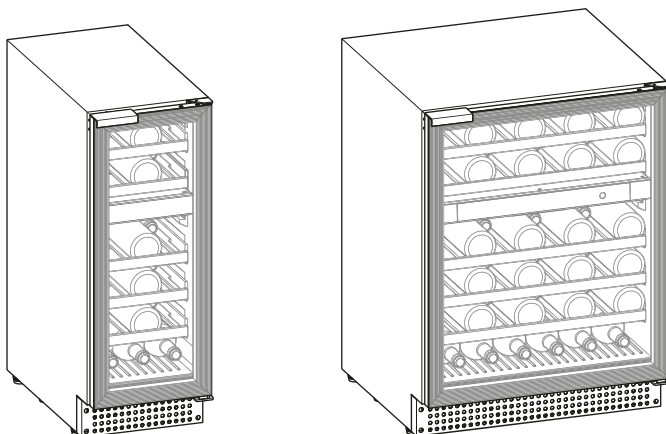


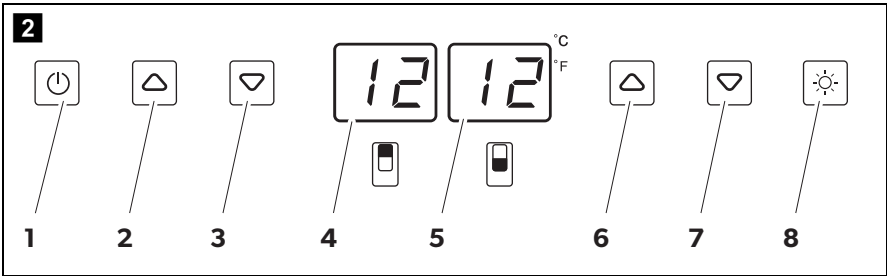
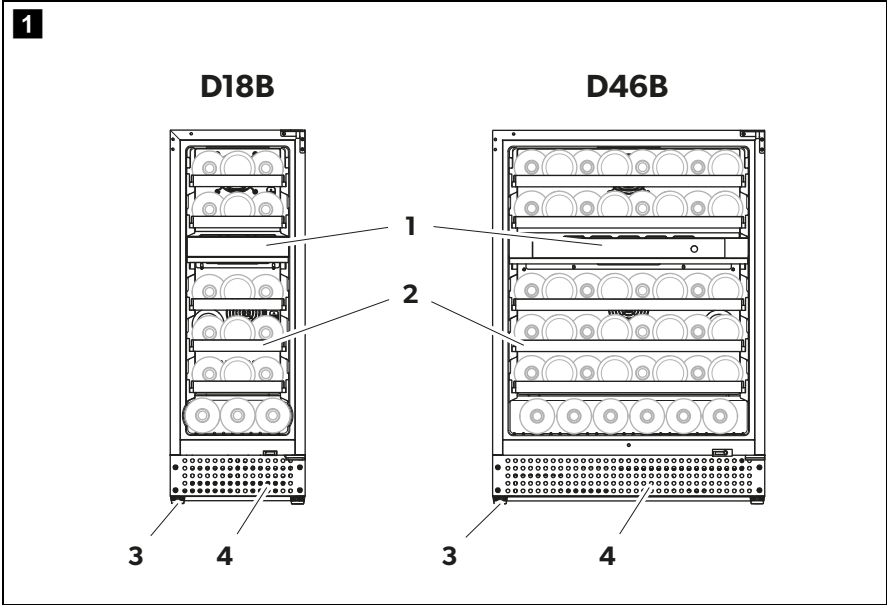
↗ DOMETIC REFRIGERATION D-CLASS

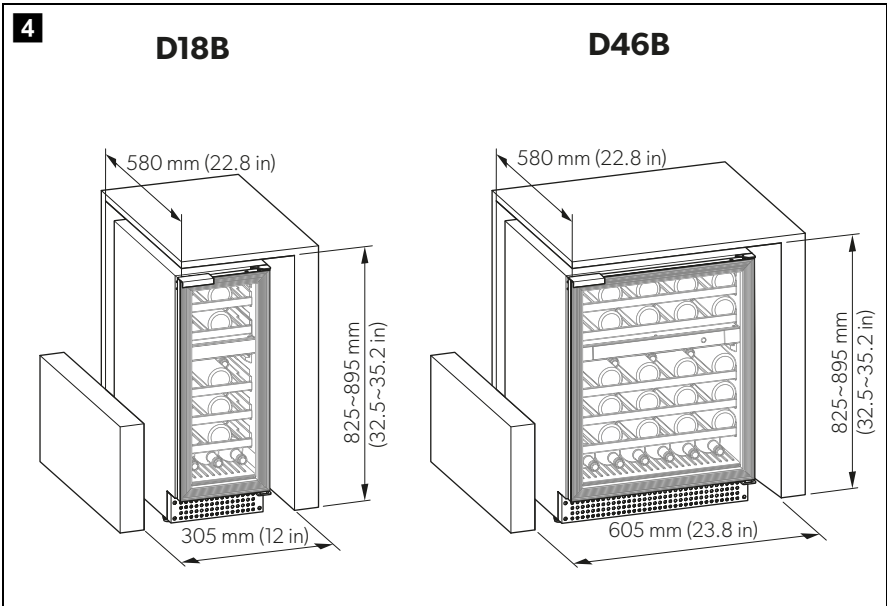
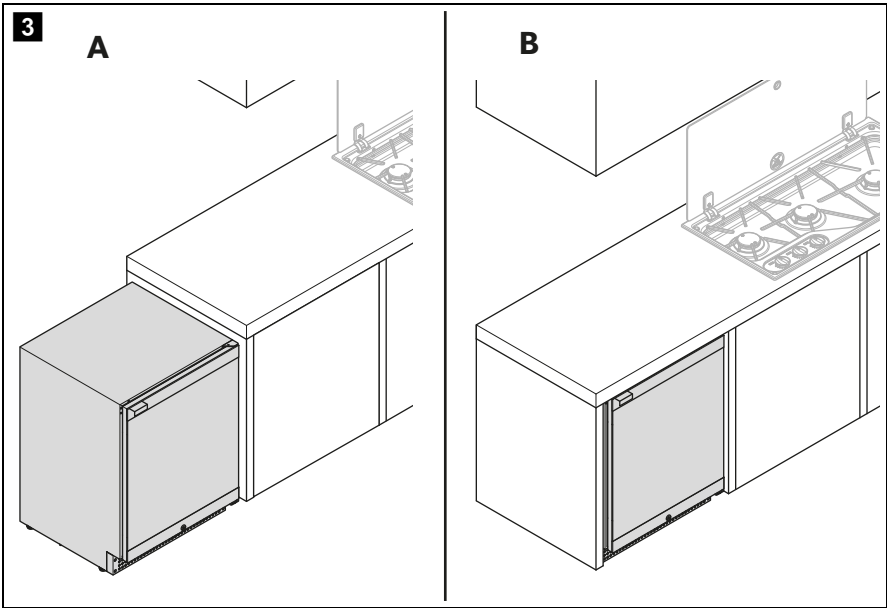


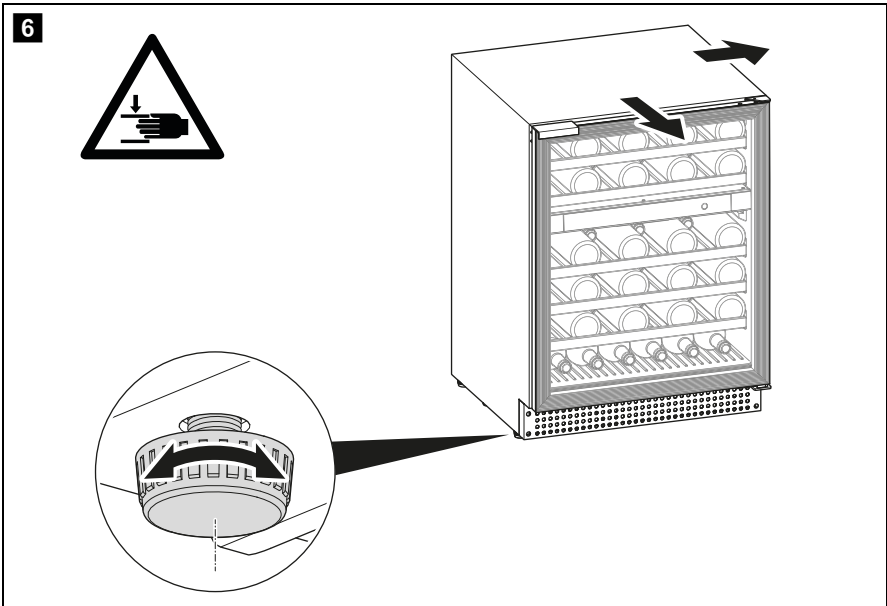
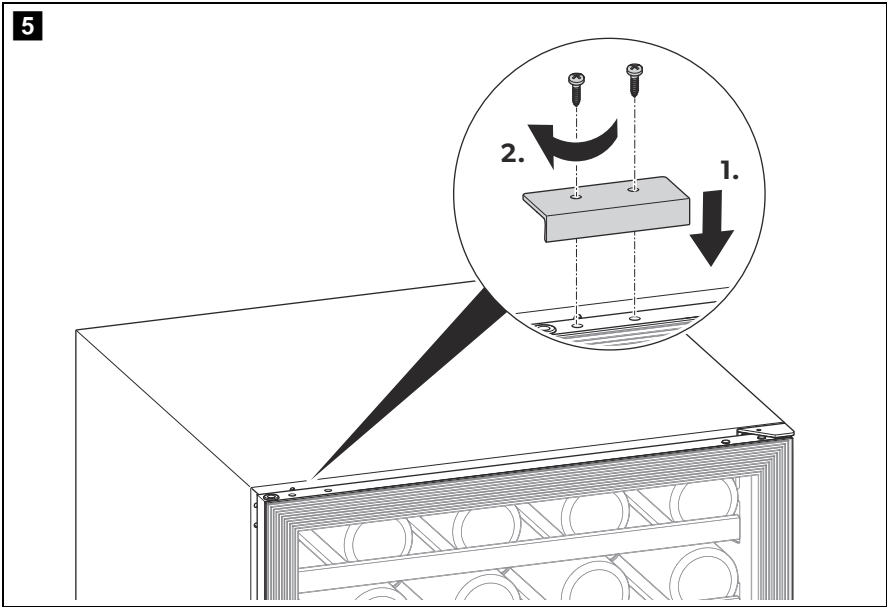
D18B, D46B

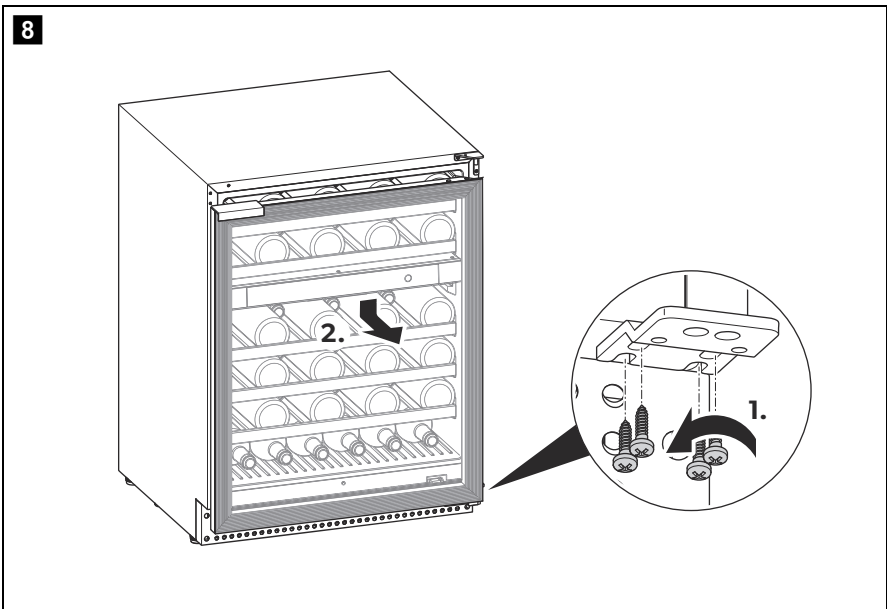
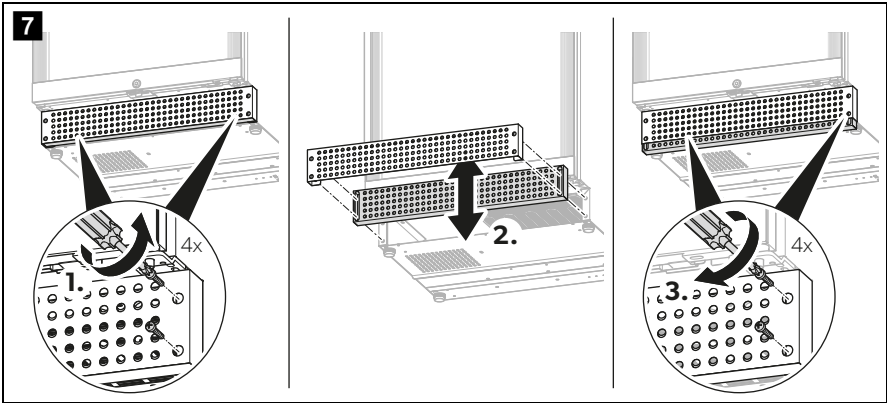
EN	Wine storage appliance Installation and Operating Manual	14
FR	Cave de vieillissement Instructions de montage et de service	32
ES	Cava de vinos Instrucciones de montaje y de uso	52

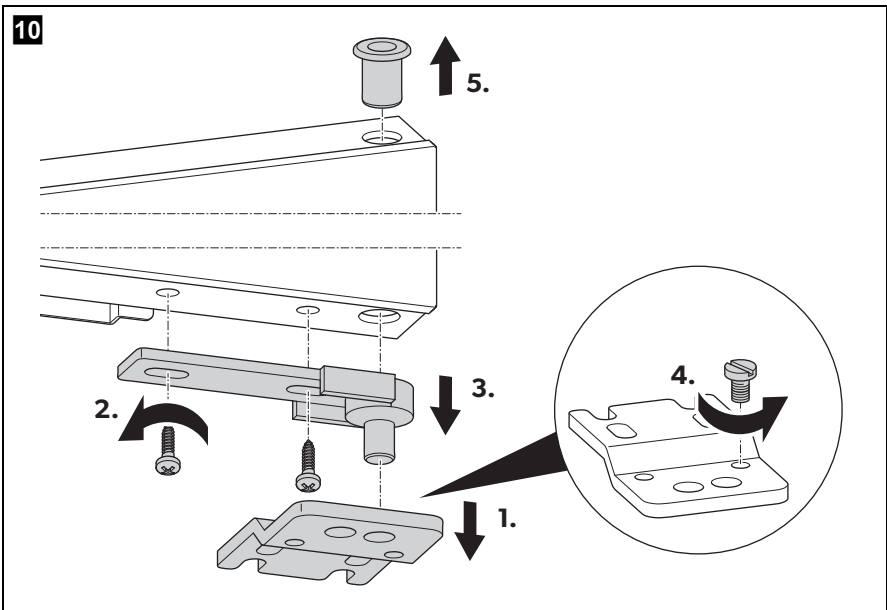
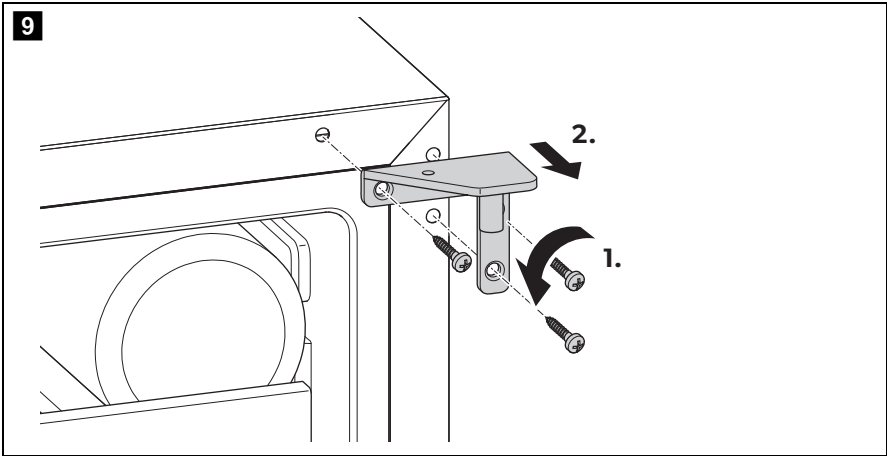
© 2023 Dometic Group. The visual appearance of the contents of this manual is protected by copyright and design law. The underlying technical design and the products contained herein may be protected by design, patent or be patent pending. The trademarks mentioned in this manual belong to Dometic Sweden AB. All rights are reserved.

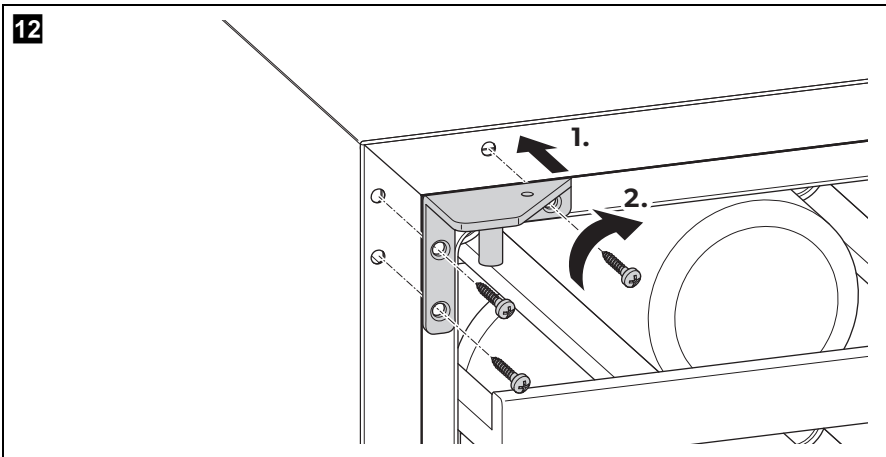
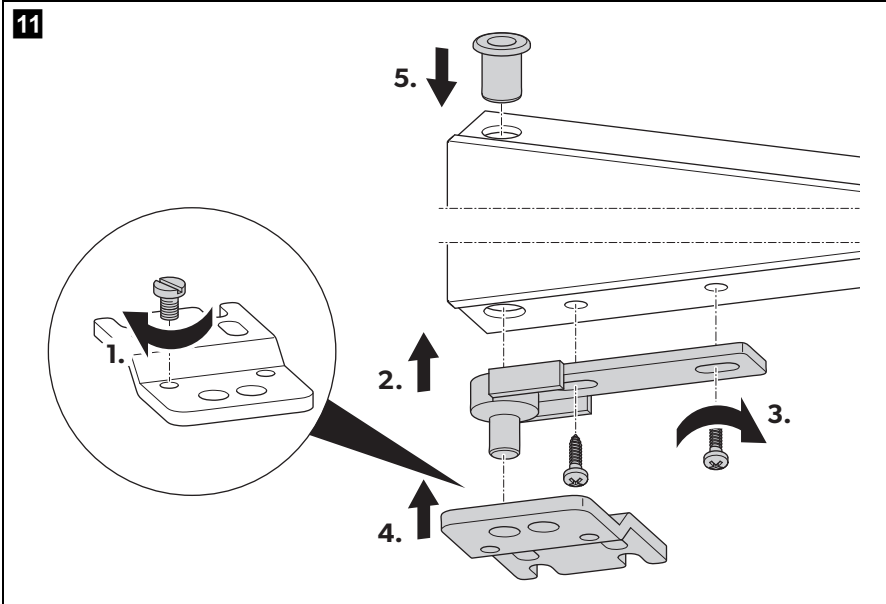


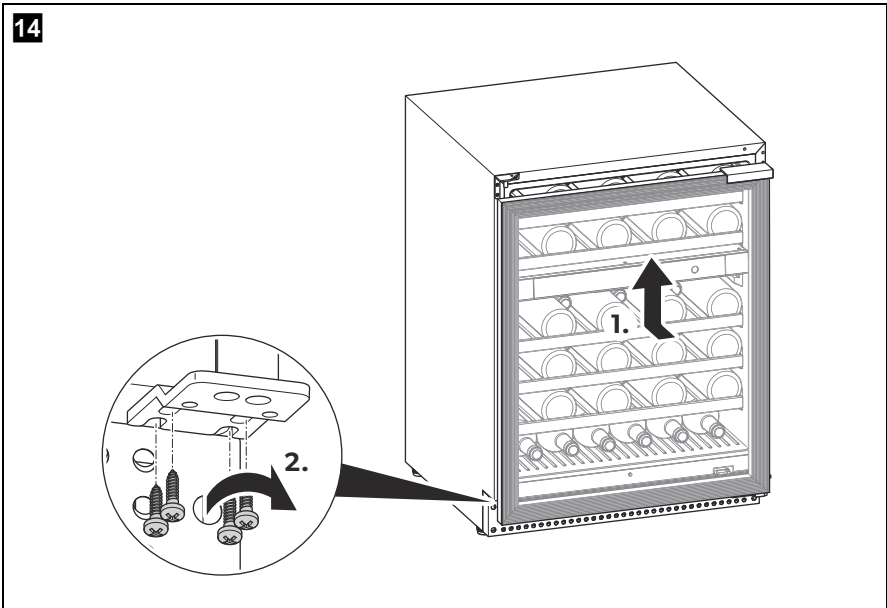
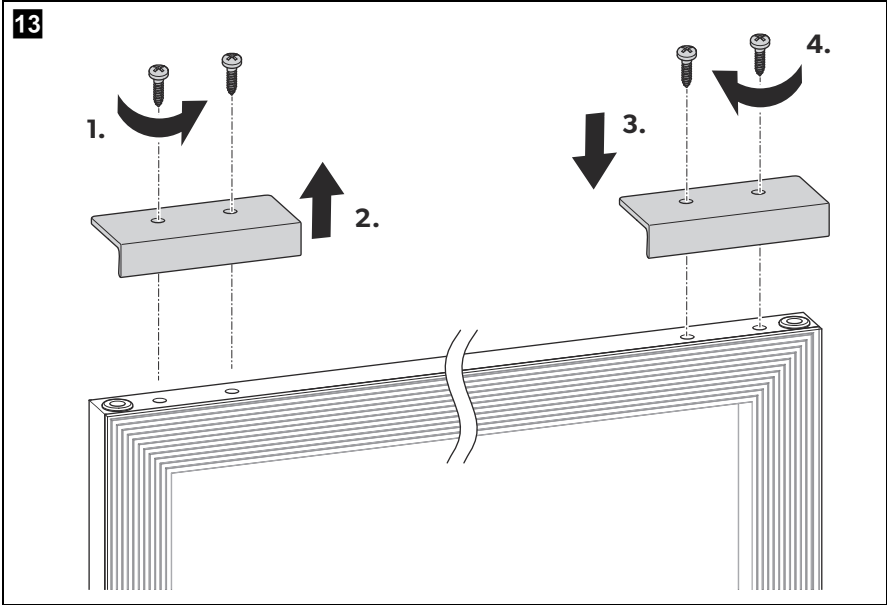






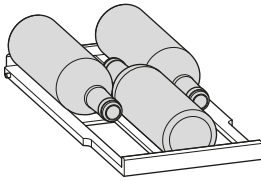




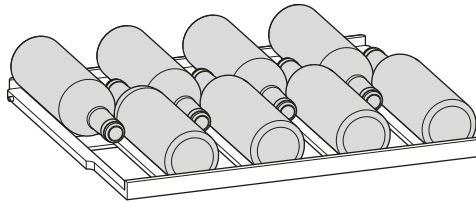


15

D18B

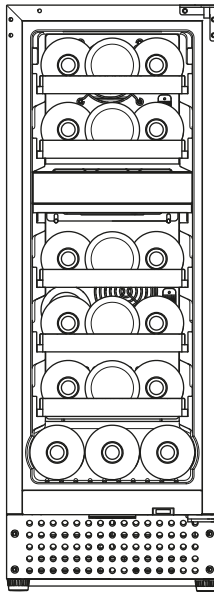


D46B



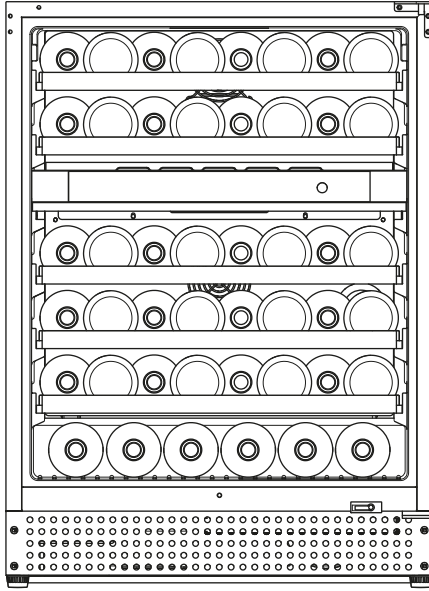
16

D18B

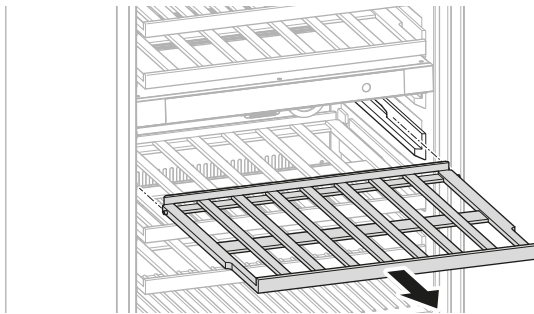


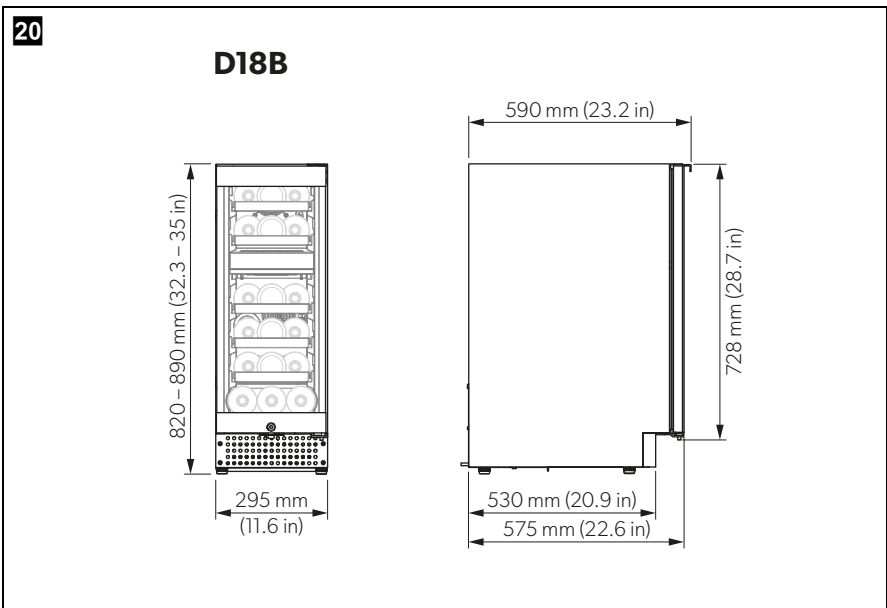
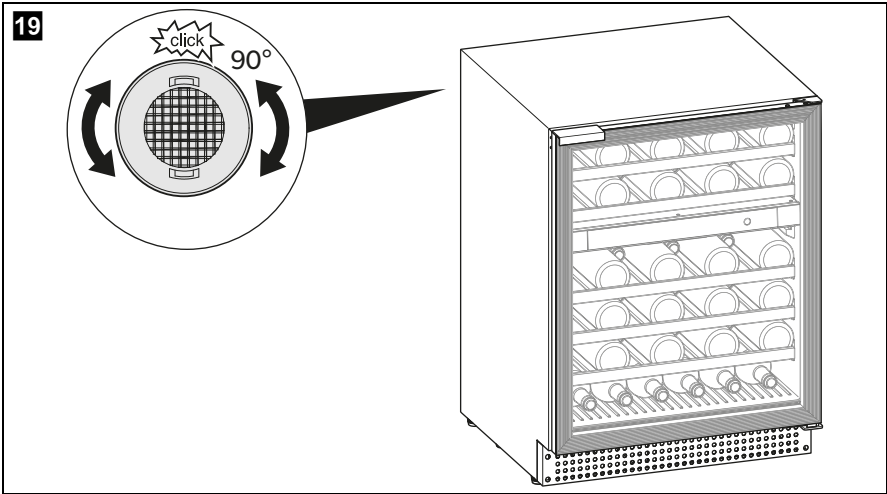
17

D46B



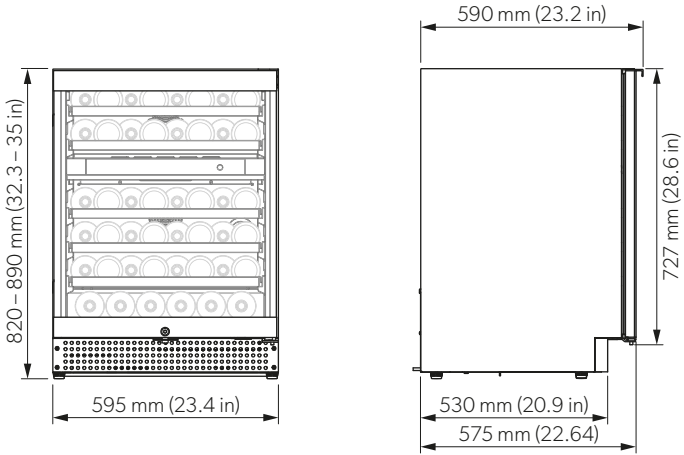
18





21

D46B



Please read these instructions carefully and follow all instructions, guidelines, and warnings included in this product manual in order to ensure that you install, use, and maintain the product properly at all times. These instructions **MUST** stay with this product.

By using the product, you hereby confirm that you have read all instructions, guidelines, and warnings carefully and that you understand and agree to abide by the terms and conditions as set forth herein. You agree to use this product only for the intended purpose and application and in accordance with the instructions, guidelines, and warnings as set forth in this product manual as well as in accordance with all applicable laws and regulations. A failure to read and follow the instructions and warnings set forth herein may result in an injury to yourself and others, damage to your product or damage to other property in the vicinity. This product manual, including the instructions, guidelines, and warnings, and related documentation, may be subject to changes and updates. For up-to-date product information, please visit documents.dometic.com.

Contents

1	Explanation of symbols	14
2	Safety instructions	15
3	Scope of delivery	18
4	Intended use	18
5	Technical description	19
6	Installation	20
7	Operation	22
8	Troubleshooting	25
9	Cleaning and maintenance.	27
10	Warranty	28
11	Disposal	29
12	Technical data	30
13	Legal	31

1 Explanation of symbols



DANGER!

Safety instruction: Indicates a hazardous situation that, if not avoided, will result in death or serious injury.



WARNING!

Safety instruction: Indicates a hazardous situation that, if not avoided, could result in death or serious injury.

**CAUTION!**

Safety instruction: Indicates a hazardous situation that, if not avoided, could result in minor or moderate injury.

**NOTICE!**

Indicates a situation that, if not avoided, can result in property damage.

**NOTE**

Supplementary information for operating the product.

2 Safety instructions

2.1 General safety



WARNING! Failure to obey these warnings could result in death or serious injury.

Electrocution hazard

- Do not operate the wine cooler if it is visibly damaged.
- If this wine cooler's power cable is damaged, it must be replaced by the manufacturer, a service agent or a similarly qualified person in order to prevent safety hazards.
- This wine cooler may only be repaired by qualified personnel. Inadequate repairs may cause serious hazards.
- When positioning the wine cooler, ensure the supply cord is not trapped or damaged.
- Do not locate multiple portable socket-outlets or portable power supplies at the rear of the wine cooler.
- Plug the device to sockets that ensure proper connection especially when the device needs to be earthed.

Fire hazard

- The refrigerant in the refrigerant circuit is highly flammable. In the event of any damage to the refrigerant circuit:
 - Switch off the wine cooler.
 - Avoid naked flames and sparks.
 - Air the room well.

Health hazard

- This device can be used by children aged from 8 years and above and persons with reduced physical, sensory or mental capabilities or lack of experience and knowledge if they have been given supervision or instruction concerning use of the device in a safe way and understand the hazards involved.
- Children shall not play with the device.
- Cleaning and user maintenance shall not be made by children without supervision.
- Children aged from 3 to 8 years are allowed to load and unload the wine cooler.
- To avoid a hazard due to instability of the wine storage appliance, it must be fixed in accordance with the installation instructions.
- Keep ventilation openings, in the wine cooler enclosure or in the built-in structure, clear of obstruction.
- Do not use mechanical devices or other means to accelerate the defrosting process, other than those recommended by the manufacturer.
- Do not damage the refrigerant circuit.
- Do not open the refrigerant circuit under any circumstances.
- Do not use electrical devices inside the wine cooler unless they are recommended by the manufacturer for that purpose.

Explosion hazard

- Do not store any explosive substances, such as spray cans with propellants, in the wine cooler.



CAUTION! Failure to obey these cautions could result in minor or moderate injury.

Risk of crushing

- Do not put your fingers into the hinge.

Health hazard

- Only closed and still sealed bottles may be stored in the appliance.

**NOTICE! Damage hazard**

- Check that the voltage specification on the data plate is the same as that of the power supply.
- Never pull the plug out of the socket by the connection cable.

- The wine cooler is not suitable for storing substances which are caustic or contain solvents.
- Keep the drainage outlet clean at all times.
- Never transport the wine cooler in a horizontal position, so that no oil can leak out of the compressor.
- Set up the wine cooler in a dry location where it is protected against splashing water.

2.2 Operating the wine cooler safely



DANGER! Failure to obey these warnings will result in death or serious injury.

Electrocution hazard

- Do not touch exposed cables with your bare hands.



CAUTION! Failure to obey these cautions could result in minor or moderate injury.

Electrocution hazard

- Before starting the wine cooler, ensure that the power supply line and the plug are dry.

Health hazard

- Opening the door for long periods can cause significant increase of the temperature in the compartments of the wine cooler.
- Clean regularly surfaces that can come in contact with wine bottles and accessible drainage systems.
- If the device is left empty for long periods:
 - Switch off the wine cooler.
 - Defrost the wine cooler.
 - Clean and dry the wine cooler.
 - Leave the door open to prevent mold developing within the wine cooler.



NOTICE! Damage hazard

- Do not place the wine cooler near naked flames or other heat sources (heaters, direct sunlight, gas ovens etc.)
- **Danger of overheating!**
Always ensure sufficient ventilation so that the heat generated during operation can dissipate. Make sure that the device is sufficiently far away from walls and other objects so that the air can circulate.

- Never immerse the wine cooler in water.
- Protect the wine cooler and the cable against heat and moisture.
- Make sure that wine bottles do not touch the walls of the cooling area.

3 Scope of delivery

- Wine cooler
- Installation and operating manual

4 Intended use

The wine storage appliance (also referred to as wine cooler) is designed for operation in enclosed buildings, such as:

- In staff kitchens in stores, offices and other work areas
- In the agricultural sector
- In hotels, motels and other accommodations
- In bed and breakfast establishments
- In catering businesses or similar wholesaler operations

The wine cooler is intended to be used either as a built-in appliance or as freestanding appliance. Refer to the installation instructions.

The wine cooler is intended to be used exclusively for the storage and temperature control of wine. Only closed and still sealed bottles may be stored in the appliance.

The wine cooler is not suitable for storing medicine or freezing foodstuffs.

This wine cooler is only suitable for the intended purpose and application in accordance with these instructions.

This manual provides information that is necessary for proper installation and/or operation of the wine cooler. Poor installation and/or improper operating or maintenance will result in unsatisfactory performance and a possible failure.

The manufacturer accepts no liability for any injury or damage to the product resulting from:

- Incorrect assembly or connection, including excess voltage
- Incorrect maintenance or use of spare parts other than original spare parts provided by the manufacturer
- Alterations to the product without express permission from the manufacturer

- Use for purposes other than those described in this manual

Dometic reserves the right to change product appearance and product specifications.

5 Technical description







The models of the wine cooler are equipped with:

- Two temperature zones:
 - Upper zone: 4 °C (39 °F) to 12 °C (54 °F)
 - Lower zone: 12 °C (54 °F) to 22 °C (72 °F)
- Automatic defrost function
- Sensor buttons
- °C/°F temperature display
- Interior LED lamp
- Temperature memory function: The set temperature is saved when the wine cooler is switched off.
- Temperature monitor: A warning signal sounds and the temperature display flashes if the interior temperature noticeably deviates from the one set.

Overview

Nr. in fig. 1 , page 3	Designation
1	Control panel
2	Shelf
3	Adjustable feet
4	Ventilation grille

Control elements

Nr. in fig. 2 , page 3	Symbol	Description
1		On/off button
2		Increases the set temperature by 1 °C or 1 °F for top zone
3		Decreases the set temperature by 1 °C or 1 °F for top zone
4		Temperature display (top zone)
5		Temperature display (bottom or right zone)
6		Increases the set temperature by 1 °C or 1 °F for bottom zone
7		Decreases the set temperature by 1 °C or 1 °F for bottom zone
8		Switches the interior LED lamp on or off

6 Installation

6.1 Selecting the installation location

Observe the following, when selecting the installation location:

- The ground must be level and sufficiently stable to support the wine cooler at full capacity.
 - The wine cooler must be positioned so that the plug is accessible.
 - Note the information on the electrical connection, see chapter “Connecting the wine cooler” on page 21.
- Remove all the inner and outer packaging material before setting up.

6.2 Integrating free-standing wine coolers

The wine cooler can be integrated either under a counter top or between other cabinets (fig. **3**, page 4).

Observe the following, when integrating the wine cooler:

- Observe the installation dimensions (fig. **4**, page 4).

- Ensure the door will open and close properly in the chosen location.
- Waste heat produced by the wine cooler must be extracted via ventilation openings on the rear and at both sides.

6.3 Mounting the door handle

- ▶ Mount the handle as shown in fig. **5**, page 5.

6.4 Adjusting the feet

- ▶ Ensure that the wine cooler is level by adjusting the feet (fig. **6**, page 5).

6.5 Adjusting the ventilation grille

- ▶ Adjust the height of the ventilation grille (fig. **7**, page 6).

6.6 Changing the door hinge

You can change the hinge of the door, so that it opens to the left rather than the right.

1. Change the door hinge as shown in fig. **8**, page 6 to fig. **14**, page 9.
2. Reverse the door handle (fig. **13**, page 9).

6.7 Connecting the wine cooler

Observe the following when connecting the wine cooler:

- Leave the wine cooler to stand upright for about 2 hours after transporting, before you connect it to the power supply. Otherwise this could cause faults in the cooling system.
 - Connect the wine cooler to a circuit that is protected with 15 A.
 - Have the socket and power circuit checked by a qualified electrician to ensure that the socket is earthed correctly. Do not use an extension cable or a multiple power socket.
 - The power cable must rest securely behind the wine cooler and must not be allowed to lie or hang unprotected.
 - Ensure that the power cable is not jammed when pushing the wine cooler into place.
- ▶ Connect the plug of the connection cable into the AC mains.
 - ✓ The display turns on.

7 Operation

7.1 Before first use

Before first use, clean the wine cooler inside and outside with a damp cloth for hygienic reasons (see also chapter "Cleaning and maintenance" on page 27).

7.2 Storing bottles

Please note the following:

- Only store wine in wine bottles that are closed and still sealed.
 - Do not overload the wine cooler.
 - Do not cover the shelves with aluminium foil or any other objects, as this obstructs the air circulation.
 - After a power failure or if the wine cooler has been switched off, wait 3 to 5 minutes before switching on the wine cooler again.
- Position the bottles as shown in fig. **15**, page 10 to fig. **17**, page 11.

7.3 Saving energy

- Only open the wine cooler as often and for as long as necessary.
- Avoid unnecessarily low temperature settings.
- For optimal energy consumption, position the shelves and drawers according to their position on delivery.
- On a regularly basis, make sure the door seal still fits properly.
- Clean dust and dirt from the condenser at regular intervals.

7.4 Switching on and off

- To switch on and off, press the  button for at least 6 seconds.

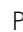

7.5 Setting the temperature

To avoid food waste, note the following:

- Keep temperature fluctuation as low as possible. Only open the wine cooler as often and for as long as necessary. Store the wine bottles in such a way that the air can still circulate well.
- Adjust the temperature to the quantity and type of the wine bottles.



Setting the unit (°C or °F)

You can select whether the temperature is displayed in Fahrenheit or Celsius.

- ▶ Press the  and  buttons simultaneously for 2 seconds.
- ✓ The unit is converted and the display shows the temperature in the selected unit.

Increasing and decreasing the temperature

The temperature can be set separately for the two zones.



- ▶ Press the  or  button to set the temperature.
- ✓ The display flashes while you adjust the setting.
- ✓ Once you have set the temperature, the display shows the current temperature of the interior.



NOTE

When using the wine cooler for the first time or if it has not been used for a long time, the inner temperature could differ from the one you have set. The temperature display flashes as long as this is the case. Once the set temperature has been reached, the temperature display lights up constantly.

Checking the set temperature

- ▶ Press the  or  button briefly.
- ✓ The set temperature is shown in the display for 5 seconds.
Then the display shows the current inner temperature again.



NOTE

In the event of an interruption to the power supply (power failure, switch over) the previous temperature settings are not saved. The temperature returns to the default temperature.


Monitoring the temperature

The warning signals prevent the temperature from falling or rising too much unnoticed, which could affect the quality of the wine. Once the wine cooler has reached the set temperature, the warning signal and the temperature display flashing stops.

A warning signal sounds and the temperature display flashes in the following cases:

- The inner temperature deviates from the set temperature by more than 5 °C (41 °F).

To switch off the warning signal prematurely:

- ▶ Press the  button briefly.
- ✓ The temperature display flashes until the set temperature is reached. The display is then illuminated constantly and indicates that the alarm system is active again.


Storing and serving temperatures for wine

The recommended storing temperature for white wine and red wine is between 10 °C (50 °F) and 14 °C (57 °F).

The serving temperature depends on the origin and grape.

Region	Serving temperature	
	White wine	Red wine
Bordeaux	12 °C (54 °F)	18 °C (64 °F)
Bourgogne	10 °C (50 °F)	16 °C (61 °F)
Loire	10 °C (50 °F)	15 °C (59 °F)
Languedoc	12 °C (54 °F)	18 °C (64 °F)
Alsace grands crus	12 °C (54 °F)	16 °C (61 °F)
Piedmont, Tuscany	10 °C (50 °F)	18 °C (64 °F)
Rioja	12 °C (54 °F)	18 °C (64 °F)
Napa Valley	12 °C (54 °F)	16 °C (61 °F)
Australia	10 °C (50 °F)	16 °C (61 °F)
Chile	10 °C (50 °F)	18 °C (64 °F)
Liqueur wine	8 °C (46 °F)	–
Champagne	6 °C (43 °F)	–

7.6 Switching on and off the interior LED lamp

- ▶ To switch on and off, press the  button for at least 5 seconds.

7.7 Unlocking the buttons

- ▶ To unlock the buttons, press the  and  buttons simultaneously.

7.8 Moving the cabinet shelves

The shelves can be pulled out by a third so that you can reach the wine bottles easily.

The shelves have a limit stop to prevent them from being pulled out too far.


► Remove one of the shelves from the guide rail as shown in fig. **18**, page 11.

7.9 Defrosting

The wine cooler is equipped with an automatic defrost function.

7.10 Switching off and storing the wine cooler

If you do not intend to use the wine cooler for a long time, proceed as follows:

1. Press the  button until the wine cooler switches off.
 2. Disconnect the power cable.
 3. Clean the wine cooler (see chapter "Cleaning and maintenance" on page 27).
- ✓ The door stays open thus preventing smells from arising.

8 Troubleshooting

If you are unable to solve a problem yourself, get in touch with a service agent.

Fault	Possible cause	Remedy
The wine cooler does not work.	The wine cooler is not connected to a power supply.	► Connect the wine cooler.
	The wine cooler is switched off.	► Switch the wine cooler on.
	The circuit breaker or fuse has blown.	► Switch on the circuit breaker; switch on or replace the fuse.

Fault	Possible cause	Remedy
The wine cooler is not cold enough.	The temperature is not set properly.	► Check the set temperature.
	The ambient temperature could require a higher temperature setting.	► Set a higher temperature.
	The door was opened frequently.	► Do not open the door more often than necessary.
	The door was not closed properly.	► Close the door properly.
	The door is not hermetically sealed.	► Check the door seal and clean or replace.
The wine cooler switches itself on and off.	The room temperature is higher than average.	► Put the wine cooler in a cooler place.
	The cabinet was recently replenished with new bottles.	► Leave the wine cooler to work for a while until the set temperature has been reached.
	The door was opened frequently.	► Do not open the door more often than necessary.
	The door was not closed properly.	► Close the door properly.
	The door is not hermetically sealed.	► Check the door seal and clean or replace it.
The interior LED lamp does not work.	The wine cooler is not connected to a power supply.	► Connect the wine cooler.
	The circuit breaker or fuse has blown.	► Switch on the circuit breaker; switch on or replace the fuse.
	The interior LED lamp was switched off on the control panel.	► Switch on the interior LED lamp.

Fault	Possible cause	Remedy
The wine cooler vibrates.	The wine cooler is not properly level.	▶ Level out the wine cooler with the adjustable feet (fig. 6 , page 5).
The wine cooler seems to make a lot of noise.	<p>The noise is probably caused by the refrigerant, which is normal. At the end of each cycle, you will hear noises made by the flow of refrigerant.</p> <p>If temperature fluctuations occur, the contraction and expansion of the inner walls may cause popping and cracking noises.</p>	▶ Level out the wine cooler with the adjustable feet.
The door does not close properly.	<p>The wine cooler is not properly level.</p> <p>The door hinge was changed incorrectly.</p> <p>The door seal is dirty.</p> <p>The shelves are not fitted correctly.</p>	<p>▶ Level out the wine cooler with the adjustable feet.</p> <p>▶ Check the door hinge and reassemble correctly.</p> <p>▶ Clean the door seal.</p> <p>▶ Check the shelves and refit correctly.</p>
The LED display shows <i>EL</i> or <i>EH</i> .	The temperature sensor for the air temperature inside the wine cooler shows an error.	▶ This can only be repaired by a service agent.

9 Cleaning and maintenance

9.1 Cleaning



WARNING! Electrocutation hazard

Always disconnect the wine cooler from the mains before you clean and service it.

**NOTICE! Damage hazard**

- Do not use abrasive cleaning agents or hard objects during cleaning as these can damage the wine cooler.
- Never use hard or sharp tools to remove ice or to free objects frozen onto the device.
- Do not use any mechanical tools or any other tools to speed up the defrosting process.

- ▶ Clean the wine cooler regularly and as soon as it becomes dirty with a damp cloth.
- ▶ Ensure that no water drips into the seals. This can damage the electronics.
- ▶ Wipe the wine cooler dry with a cloth after cleaning.
- ▶ Check the condensate drain regularly.
Clean the condensate drain when necessary. If it is blocked, the condensate collects on the bottom of the wine cooler.

9.2 Replacing the active charcoal filter

Replace the active charcoal filter with a new one once a year (fig. **19**, page 12):

1. Turn the filter 90° clockwise or anti-clockwise and remove it.
2. Insert a new filter.
3. Turn the filter 90° clockwise or anti-clockwise until it clicks into position.

10 Warranty

Refer to the sections below for information about warranty and warranty support in the US, Canada, and all other regions.

10.1 United States and Canada

LIMITED WARRANTY AVAILABLE AT
DOMETIC.COM/WARRANTY.

IF YOU HAVE QUESTIONS, OR WANT TO OBTAIN A COPY OF THE LIMITED WARRANTY FREE OF CHARGE, CONTACT:

DOMETIC CORPORATION
CUSTOMER SERVICE
ATTN: WARRANTY DEPARTMENT
13259 EAST 166TH STREET
CERRITOS, CA 90703
PHONE: 1-800-789-2206
FAX: 562 802-3391

10.2 All Other Regions

The statutory warranty period applies. If the product is defective, please contact the manufacturer's branch in your region (dometic.com/dealer) or your retailer.

For repair and warranty processing, please include the following documents when you send in the device:

- A copy of the receipt with purchasing date
- A reason for the claim or description of the fault

Note that self-repair or nonprofessional repair can have safety consequences and might void the warranty.

11 Disposal

Recycling packaging material



- ▶ Place the packaging material in the appropriate recycling waste bins wherever possible.



WARNING! Risk of child entrapment

Before disposing of the wine cooler:

- Remove the door.
- Leave the shelves in the device so that children cannot climb inside.



WARNING! Fire hazard

- The refrigerant is highly flammable. Do not open or damage the refrigerant circuit.
- The insulation of the device contains an insulating gas (see data plate). Do not damage the insulation.

Recycling products with non-replaceable batteries, rechargeable batteries or light sources





- Dispose the product in accordance with all applicable regulations.
- The product can be disposed free of charge.



12 Technical data

The refrigerant circuit contains a small quantity of an environmentally friendly but flammable refrigerant. It does not damage the ozone layer and does not increase the greenhouse effect. Any leaking refrigerant may ignite.

	D18B	D46B
Input voltage:	115 V 60 Hz	
Total volume:	55 l	128 l
Rated input power:	85 W	110 W
Storage temperature range:	4 °C (39 °F) to 12 °C (54 °F) 12 °C (54 °F) to 22 °C (72 °F)	
– Upper/left zone:	4 °C (39 °F) to 12 °C (54 °F)	
– Lower/right zone:	12 °C (54 °F) to 22 °C (72 °F)	
Noise emission:	39 dB(A)	
Propellant:	Cyclopentane	
Refrigerant:	R600a	
Dimensions (W x H x D):	fig. 20, page 12	fig. 21, page 13
Weight:	30 kg (66 lb)	43 kg (96 lb)
Certifications:	 	

Follow EPA use conditions.

13 Legal

This device complies with Part 15 of the FCC Rules. Operation is subject to the following two conditions:

- This device may not cause harmful interference.
- This device must accept any interference received, including interference that may cause undesired operation.

Changes or modifications not expressly approved by the party responsible for compliance could void the user's authority to operate the equipment.

This equipment has been tested and found to comply with the limits for a Class B digital device, pursuant to part 15 of the FCC Rules. These limits are designed to provide reasonable protection against harmful interference in a residential installation. This equipment generates, uses and can radiate radio frequency energy and, if not installed and used in accordance with the instructions, may cause harmful interference to radio communications. However, there is no guarantee that interference will not occur in a particular installation. If this equipment does cause harmful interference to radio or television reception, which can be determined by turning the equipment off and on, the user is encouraged to try to correct the interference by one or more of the following measures:

- Reorient or relocate the receiving antenna.
- Increase the separation between the equipment and receiver.
- Connect the equipment into an outlet on a circuit different from that to which the receiver is connected.
- Consult the dealer or an experienced radio/TV technician for help.

Veillez lire et suivre attentivement l'ensemble des instructions, directives et avertissements figurant dans ce manuel afin d'installer, d'utiliser et d'entretenir le produit correctement à tout moment. Ces instructions DOIVENT rester avec le produit.

En utilisant ce produit, vous confirmez expressément avoir lu attentivement l'ensemble des instructions, directives et avertissements et que vous comprenez et acceptez de respecter les modalités et conditions énoncées dans le présent document. Vous acceptez d'utiliser ce produit uniquement pour l'usage et l'application prévus et conformément aux instructions, directives et avertissements figurant dans le présent manuel, ainsi qu'à toutes les lois et réglementations applicables. En cas de non-respect des instructions et avertissements figurant dans ce manuel, vous risquez de vous blesser ou de blesser d'autres personnes, d'endommager votre produit ou d'endommager d'autres biens à proximité. Le présent manuel produit, y compris les instructions, directives et avertissements, ainsi que la documentation associée peuvent faire l'objet de modifications et de mises à jour. Pour obtenir des informations actualisées sur le produit, veuillez consulter le site documents.dometic.com.

Sommaire

1	Signification des symboles	32
2	Consignes de sécurité	33
3	Contenu de la livraison	36
4	Usage conforme	36
5	Description technique	37
6	Installation	39
7	Utilisation	40
8	Dépannage	44
9	Nettoyage et maintenance	47
10	Garantie	48
11	Mise au rebut	48
12	Mentions légales	51

1 Signification des symboles



DANGER !

Consignes de sécurité : indiquent une situation dangereuse qui, si elle n'est pas évitée, entraînera des blessures graves, voire mortelles.



AVERTISSEMENT !

Consignes de sécurité : indiquent une situation dangereuse qui, si elle n'est pas évitée, est susceptible d'entraîner des blessures graves, voire mortelles.

**ATTENTION !**

Consignes de sécurité : indiquent une situation dangereuse qui, si elle n'est pas évitée, est susceptible d'entraîner des blessures légères ou de gravité modérée.

**AVIS !**

indiquent une situation dangereuse qui, si elle n'est pas évitée, peut entraîner des dommages matériels.

**REMARQUE**

Informations complémentaires sur l'utilisation de ce produit.

2 Consignes de sécurité

2.1 Sécurité générale



AVERTISSEMENT ! Le non-respect de ces mises en garde peut entraîner des blessures graves, voire mortelles.

Risque d'électrocution

- N'utilisez pas la cave de vieillissement si elle présente des dégâts visibles.
- Si le câble d'alimentation de la cave de vieillissement est endommagé, il doit être remplacé par le fabricant, un agent de service ou une personne de qualification similaire, afin d'éviter tout danger.
- Seul un opérateur qualifié est habilité à réparer cette cave de vieillissement. Toute réparation inappropriée risque d'entraîner de graves dangers.
- Veillez à ne pas coincer ni endommager le cordon d'alimentation lors de la mise en place de la cave de vieillissement.
- Ne placez pas de multiprises portables ou de blocs d'alimentation portables à l'arrière de la cave de vieillissement.
- Branchez l'appareil sur des prises permettant un raccordement approprié, en particulier lorsque l'appareil doit être relié à la terre.

Risque d'incendie

- Le réfrigérant du circuit frigorifique s'enflamme facilement.
En cas d'endommagement du circuit frigorifique :
 - Éteignez la cave de vieillissement.
 - Évitez toute flamme nue et/ou étincelle.
 - Aérez bien la pièce.

Risque pour la santé

- Cet appareil peut être utilisé par des enfants âgés de 8 ans et plus et des personnes ayant des capacités physiques, sensorielles ou mentales réduites ou un manque d'expérience et de connaissances, s'ils sont sous surveillance ou ont reçu des instructions sur l'utilisation de l'appareil en toute sécurité et comprennent les risques impliqués.
- Les enfants ne doivent pas jouer avec cet appareil.
- Le nettoyage et l'entretien ne doivent pas être effectués par des enfants sans surveillance.
- Les enfants âgés de 3 à 8 ans peuvent remplir et vider la cave de vieillissement.
- Pour éviter tout risque dû à l'instabilité de la cave de vieillissement, celle-ci doit être fixée conformément aux instructions de montage.
- Veillez à ce que les orifices de ventilation situés sur le châssis de la cave de vieillissement ou dans la structure intégrée ne soient pas obstrués.
- N'utilisez pas d'appareils mécaniques ou d'autres moyens pour accélérer le processus de décongélation, outre ceux recommandés par le fabricant.
- N'endommagez pas le circuit frigorifique.
- N'ouvrez jamais le circuit frigorifique.
- N'utilisez aucun appareil électrique à l'intérieur de la cave de vieillissement, sauf si le fabricant le recommande.

Risque d'explosion

- Ne stockez aucune substance explosive, telle que des aérosols contenant des propulseurs, dans la cave de vieillissement.



ATTENTION ! Le non-respect de ces mises en garde peut entraîner des blessures légères ou de gravité modérée.

Risque d'écrasement

- Ne touchez pas la charnière.

Risque pour la santé

- Seules des bouteilles fermées et encore scellées peuvent être stockées dans l'appareil.

**AVIS ! Risque d'endommagement**

- Vérifiez que la tension indiquée sur la plaque signalétique correspond à l'alimentation électrique dont vous disposez.
- Ne tirez jamais sur le câble de raccordement pour sortir la fiche de la prise.
- Ne stockez aucune substance corrosive ou contenant des solvants dans la cave de vieillissement.
- Veillez à ce que l'ouverture d'évacuation soit toujours propre.
- Ne transportez jamais la cave de vieillissement en position horizontale afin que l'huile ne puisse pas s'écouler du compresseur.
- Installez la cave de vieillissement dans un endroit sec et à l'abri des éclaboussures d'eau.

2.2 Utilisation sécurisée de la cave de vieillissement

**DANGER ! Le non-respect de cette mise en garde entraînera des blessures graves, voire mortelles.****Risque d'électrocution**

- Ne touchez jamais les câbles dénudés à mains nues.

**ATTENTION ! Le non-respect de ces mises en garde peut entraîner des blessures légères ou de gravité modérée.****Risque d'électrocution**

- Avant de mettre la cave de vieillissement en service, assurez-vous que le câble d'alimentation électrique et le connecteur sont secs.

Risque pour la santé

- Une ouverture prolongée de la porte peut entraîner une augmentation significative de la température dans les compartiments de la cave de vieillissement.
- Nettoyez régulièrement les surfaces qui entrent en contact avec les bouteilles de vin, ainsi que les systèmes de drainage accessibles.

- Si l'appareil est laissé vide pendant une longue période :
 - Éteignez la cave de vieillissement.
 - Dégivrez la cave de vieillissement.
 - Nettoyez et séchez la cave de vieillissement.
 - Laissez la porte ouverte pour éviter que des moisissures ne se forment à l'intérieur de la cave de vieillissement.



AVIS ! Risque d'endommagement

- Ne placez pas la cave de vieillissement près de flammes ou d'autres sources de chaleur (chauffage, rayons solaires, fours à gaz, etc.).
- **Risque de surchauffe !**
Veillez toujours à ce que la chaleur produite lors du fonctionnement puisse se dissiper suffisamment. Veillez à ce que l'appareil se trouve à une distance suffisante des murs ou des objets, de sorte que l'air puisse circuler.
- Ne plongez jamais la cave de vieillissement dans l'eau.
- Tenez la cave de vieillissement et les câbles à l'abri de la chaleur et de l'humidité.
- Veillez à ce que les bouteilles de vin ne touchent pas les parois du compartiment de réfrigération.

3 Contenu de la livraison

- Cave de vieillissement
- Instructions de montage et de service

4 Usage conforme

L'appareil de stockage du vin (également appelé cave de vieillissement) est conçu pour fonctionner dans des bâtiments fermés, tels que :

- Dans les réfectoires des magasins, bureaux et autres lieux de travail
- Dans le secteur agricole
- Dans les hôtels, motels et autres lieux d'hébergement
- Dans les chambres d'hôtes
- Dans les entreprises de restauration ou les activités de gros similaires

La cave de vieillissement est destinée à être utilisée comme appareil intégré ou autonome. Consultez les instructions d'installation.

La cave de vieillissement est exclusivement destinée au stockage et au contrôle de la température du vin. Seules des bouteilles fermées et encore scellées peuvent être stockées dans l'appareil.

La cave de vieillissement n'est pas adaptée au stockage de médicaments ni à la congélation d'aliments.

La cave de vieillissement convient uniquement à l'usage et à l'application prévus, conformément au présent manuel d'instructions.

Ce manuel fournit les informations nécessaires à l'installation et/ou à l'utilisation correcte de la cave de vieillissement. Une installation, une utilisation ou un entretien inappropriés entraînera des performances insatisfaisantes et une éventuelle défaillance.

Le fabricant décline toute responsabilité en cas de blessure ou de dommage résultant :

- D'un montage ou d'un raccordement incorrect, y compris d'une surtension
- D'un entretien inadapté ou de l'utilisation de pièces de rechange autres que les pièces de rechange d'origine fournies par le fabricant
- De modifications apportées au produit sans autorisation explicite du fabricant
- D'usages différents de ceux décrits dans ce manuel

Dometic se réserve le droit de modifier l'apparence et les spécifications produit.

5 Description technique

Les modèles de cave de vieillissement sont équipés des éléments suivants :







- Deux zones de température :
 - Zone supérieure : 4 °C (39 °F) à 12 °C (54 °F)
 - Zone inférieure : 12 °C (54 °F) à 22 °C (72 °F)
- Fonction de dégivrage automatique
- Touches tactiles
- Affichage de la température en °C/°F
- Lampe LED intérieure
- Fonction de mémorisation de la température : La température réglée est enregistrée lorsque la cave de vieillissement est éteinte.

- Surveillance de la température : Un signal retentit et l'affichage de température clignote lorsque la température intérieure d'une zone se distingue nettement de la température réglée.

Vue d'ensemble

N° sur la fig. 1, page 3	Désignation
1	Panneau de commande
2	Clayette
3	Pieds réglables
4	Grilles d'aération

Éléments de commande

N° sur la fig. 2, page 3	Symbole	Description
1		Touche Marche/Arrêt
2		Augmente la température réglée de 1 °C ou de 1 °F dans la zone supérieure ou gauche
3		Réduit la température réglée de 1 °C ou de 1 °F dans la zone supérieure ou gauche
4		Affichage de la température (zone supérieure ou gauche)
5		Affichage de la température (zone inférieure ou droite)
6		Augmente la température réglée de 1 °C ou de 1 °F dans la zone inférieure ou droite
7		Réduit la température réglée de 1 °C ou de 1 °F dans la zone inférieure ou droite
8		Allume ou éteint la lampe LED intérieure

6 Installation

6.1 Sélection de l'emplacement de montage

Veillez respecter les consignes suivantes lors du choix de l'emplacement de montage :

- La surface au sol doit être plane et suffisamment stable pour supporter la cave de vieillissement complètement chargée.
 - La cave de vieillissement doit être placée de manière à ce que la prise soit accessible.
 - Veuillez également observer les consignes concernant le raccordement électrique, voir chapitre « Raccordement de la cave de vieillissement », page 40.
- Retirez tous les matériaux d'emballage intérieur et extérieur avant de procéder à l'installation.

6.2 Intégration de caves de vieillissement autonomes

La cave de vieillissement peut être intégrée sous un plan de travail ou entre des armoires (fig. **3**, page 4).

Lors de l'intégration de la cave de vieillissement, observez les consignes suivantes :

- Respectez les dimensions d'installation (fig. **4**, page 4).
- Assurez-vous que la porte s'ouvre et se ferme correctement à l'endroit choisi.
- La chaleur résiduelle produite par la cave de vieillissement doit être évacuée par des orifices de ventilation situés à l'arrière et sur les deux côtés.

6.3 Montage de la poignée de porte

- Montez la poignée comme indiqué fig. **5**, page 5.

6.4 Ajustement des pieds

- Réglez les pieds pour que la cave de vieillissement soit perpendiculaire au sol (fig. **6**, page 5).

6.5 Réglage de la grille d'aération

- Adaptez la hauteur de la grille d'aération (fig. **7**, page 6).

6.6 Modification du côté d'ouverture de la porte

Vous pouvez modifier le côté d'ouverture de la porte de sorte que la porte s'ouvre vers la gauche plutôt que vers la droite.

1. Procédez comme indiqué pour changer la charnière de la porte (fig. **8**, page 6 à fig. **14**, page 9).
2. Inversez la poignée de porte (fig. **13**, page 9).

6.7 Raccordement de la cave de vieillissement

Lors du raccordement de la cave de vieillissement, observez les consignes suivantes :

- Laissez la cave de vieillissement en position verticale pendant environ 2 heures après le transport avant de la raccorder à l'alimentation électrique. Dans le cas contraire, des dysfonctionnements pourraient se produire dans le système de réfrigération.
 - Raccordez la cave de vieillissement à un circuit protégé par un fusible de 15 A.
 - Faites vérifier la prise et le circuit électrique par un électricien agréé pour vous assurer que la prise est correctement mise à la terre. N'utilisez pas de rallonge ou de multiprise.
 - Le câble d'alimentation doit reposer de manière sécurisée à l'arrière de la cave de vieillissement et ne doit pas être posé ou suspendu sans protection.
 - Veillez à ne pas coincer le câble d'alimentation en poussant la cave de vieillissement pour la mettre en place.
- Branchez le câble de raccordement à la prise d'alimentation CA.
- ✓ L'écran s'allume.

7 Utilisation

7.1 Avant la première utilisation

Avant la première utilisation, nettoyez l'intérieur et l'extérieur de la cave de vieillissement avec un chiffon humide pour des raisons d'hygiène (voir également chapitre « Nettoyage et maintenance », page 47).

7.2 Stockage des bouteilles

Tenez compte des remarques suivantes :

- Conservez uniquement le vin dans des bouteilles fermées et encore scellées.
 - Ne surchargez pas la cave de vieillissement.
 - Ne recouvrez pas les clayettes avec du papier d'aluminium ou tout autre objet susceptible d'entraver la circulation de l'air.
 - Après une coupure de courant ou si la cave de vieillissement a été éteinte, attendez 3 à 5 minutes avant de la rallumer.
- Positionnez les bouteilles comme indiqué sur les fig. **15**, page 10 à fig. **17**, page 11.

7.3 Économie d'énergie

- Ouvrez uniquement la cave de vieillissement lorsque c'est nécessaire et le moins longtemps possible.
- Évitez une température intérieure inutilement basse.
- Pour une consommation d'énergie optimale, positionnez les clayettes et les tiroirs conformément à leur position à la livraison.
- Vérifiez régulièrement que le joint de la porte est correctement positionné.
- Nettoyez régulièrement le condenseur pour enlever la poussière et les salissures.

7.4 Mise en marche et arrêt

- Pour allumer et éteindre la cave de vieillissement, appuyez sur le bouton  pendant au moins 6 secondes.

7.5 Réglage de la température

Pour éviter de gâcher des aliments, notez les éléments suivants :

- Évitez autant que possible les variations de température. Ouvrez uniquement la cave de vieillissement lorsque c'est nécessaire et le moins longtemps possible. Entreposez les bouteilles de vin de sorte que l'air puisse circuler librement entre elles.
- Ajustez la température en fonction de la quantité et de la nature des bouteilles de vin.

Réglage de l'unité (°C ou °F)

Vous pouvez choisir si la température est affichée en degrés Celsius ou en Fahrenheit.

- Appuyez simultanément sur les touches \triangle et ∇ pendant 2 secondes.
- ✓ L'écran affiche la température dans l'unité sélectionnée.

Augmentation et diminution de la température

La température peut être réglée séparément pour les deux zones.

- Appuyez sur le bouton \triangle ou ∇ correspondants pour régler la température.
- ✓ L'écran clignote pendant que vous effectuez le réglage.
- ✓ Une fois que vous avez réglé la température, l'écran affiche la température intérieure momentanée.



REMARQUE

Lors de la première utilisation de la cave de vieillissement ou si elle n'a pas été utilisée depuis longtemps, la température intérieure peut être différente de celle que vous avez réglée. L'affichage de la température clignote pendant cet intervalle. Lorsque la température réglée est atteinte au bout d'un certain temps, l'affichage de la température reste allumé.

Contrôle de la température réglée

- Appuyez brièvement sur le bouton \triangle ou ∇ .
- ✓ L'écran affiche la température réglée pendant 5 secondes.
L'écran affiche à nouveau la température intérieure actuelle.



REMARQUE

Dans le cas d'une coupure d'alimentation (panne de courant, commutation), l'appareil n'enregistre pas les réglages de température précédents. La température revient à la valeur par défaut.


Surveillance de la température

Des alarmes retentissent en cas de hausse ou de baisse de température significative, car cela peut affecter la qualité du vin. Lorsque la cave de vieillissement a atteint la température réglée, l'alarme s'arrête et l'affichage de la température arrête de clignoter.

Un signal retentit et l'affichage de température clignote dans les cas suivants :

- La température intérieure diffère de plus de 5 °C (41 °F) par rapport à la température réglée.

Pour désactiver le signal avant la fin :

- ▶ Appuyez brièvement sur le bouton .
- ✓ L'affichage de la température clignote jusqu'à ce que la température réglée soit atteinte. L'affichage reste ensuite allumé et indique que le système d'alarme est de nouveau activé.

Températures de conservation et de service du vin

La température de conservation recommandée pour le vin blanc et le vin rouge est comprise entre 10 °C (50 °F) et 14 °C (57 °F).



La température de service dépend de l'origine et du raisin.

Région	Température de service	
	Vin blanc	Vin rouge
Bordeaux	12 °C (54 °F)	18 °C (64 °F)
Bourgogne	10 °C (50 °F)	16 °C (61 °F)
Loire	10 °C (50 °F)	15 °C (59 °F)
Languedoc	12 °C (54 °F)	18 °C (64 °F)
Grands crus d'Alsace	12 °C (54 °F)	16 °C (61 °F)
Piémont, Toscane	10 °C (50 °F)	18 °C (64 °F)
Rioja	12 °C (54 °F)	18 °C (64 °F)
Napa Valley	12 °C (54 °F)	16 °C (61 °F)
Australie	10 °C (50 °F)	16 °C (61 °F)
Chili	10 °C (50 °F)	18 °C (64 °F)
Vin de liqueur	8 °C (46 °F)	–
Champagne	6 °C (43 °F)	–

7.6 Allumage et extinction la lampe LED intérieure

- Pour allumer et éteindre la cave de vieillissement, appuyez sur le bouton  pendant au moins 5 secondes.

7.7 Déverrouillage des touches

- Pour déverrouiller les boutons, appuyez simultanément sur les boutons  et .

7.8 Déplacement des clayettes de l'armoire

Les clayettes peuvent être tirées d'un tiers afin d'atteindre facilement les bouteilles de vin.

Les clayettes sont munies d'une butée pour éviter qu'elles ne soient tirées trop loin.


- Procédez comme indiqué pour retirer une des clayettes du rail de guidage (fig. **18**, page 11).

7.9 Dégivrage

La cave de vieillissement est équipée d'une fonction de dégivrage automatique.

7.10 Arrêt et rangement de la cave de vieillissement

Si vous prévoyez de ne pas utiliser la cave de vieillissement pendant une période prolongée, procédez de la façon suivante :

1. Appuyez sur le bouton  jusqu'à ce que la cave de vieillissement s'éteigne.
 2. Débranchez le câble d'alimentation.
 3. Nettoyez la cave de vieillissement (voir chapitre « Nettoyage et maintenance », page 47).
- ✓ La porte reste entrouverte et empêche ainsi que de mauvaises odeurs ne se forment.

8 Dépannage

Si vous ne parvenez pas à résoudre un problème vous-même, contactez un agent de service.

Panne	Cause possible	Solution
La cave de vieillissement ne fonctionne pas.	La cave de vieillissement n'est pas raccordée au secteur.	► Raccordez la cave de vieillissement.
	La cave de vieillissement est éteinte.	► Mettez la cave de vieillissement en marche.
	Le disjoncteur s'est déclenché ou un fusible a brûlé.	► Réenclenchez le disjoncteur, réenclenchez ou remplacez le fusible
La cave de vieillissement n'est pas assez froide.	La température n'est pas réglée correctement.	► Vérifiez la température réglée.
	La température ambiante peut nécessiter un réglage plus élevé.	► Réglez une température plus élevée.
	La porte a été ouverte fréquemment.	► N'ouvrez la porte que si nécessaire.
	La porte n'a pas été fermée correctement.	► Fermez la porte correctement.
	Le joint de la porte n'est pas hermétique.	► Contrôlez le joint de la porte, nettoyez-le ou remplacez-le.
La cave de vieillissement s'allume et s'éteint toute seule.	La température ambiante est plus élevée que la moyenne.	► Placez la cave de vieillissement dans un endroit plus frais.
	L'armoire a récemment été réapprovisionnée avec de nouvelles bouteilles.	► Laissez la cave de vieillissement fonctionner pendant un certain temps jusqu'à ce que la température réglée soit atteinte.
	La porte a été ouverte fréquemment.	► N'ouvrez la porte que si nécessaire.
	La porte n'a pas été fermée correctement.	► Fermez la porte correctement.
	Le joint de la porte n'est pas hermétique.	► Contrôlez le joint de la porte, nettoyez-le ou remplacez-le.

Panne	Cause possible	Solution
La lampe LED intérieure ne fonctionne pas.	La cave de vieillissement n'est pas raccordée au secteur.	➤ Raccordez la cave de vieillissement.
	Le disjoncteur s'est déclenché ou un fusible a brûlé.	➤ Réenclenchez le disjoncteur, réenclenchez ou remplacez le fusible
	La lampe à DEL intérieure a été éteinte sur le panneau de commande.	Allumez la lampe LED intérieure.
La cave de vieillissement vibre.	La cave de vieillissement n'est pas de niveau.	➤ Mettez la cave de vieillissement de niveau à l'aide des pieds réglables (fig. 6 , page 5).
La cave de vieillissement semble faire beaucoup de bruit.	Le bruit est probablement causé par le fluide frigorigène, ce qui est normal. À la fin de chaque cycle, vous entendrez des bruits causés par le flux du fluide frigorigène. Si des fluctuations de température se produisent, la contraction et la dilatation des parois intérieures peuvent provoquer des bruits de claquement et de craquement.	
	La cave de vieillissement n'est pas de niveau.	➤ Mettez la cave de vieillissement de niveau à l'aide des pieds réglables.
La porte ne ferme pas bien.	La cave de vieillissement n'est pas de niveau.	➤ Mettez la cave de vieillissement de niveau à l'aide des pieds réglables.
	La charnière de la porte n'a pas été remplacée correctement.	➤ Vérifiez la charnière de la porte et réassemblez-la correctement.
	Le joint de la porte est sale.	➤ Nettoyez le joint de la porte.
	Les clayettes ne sont pas montées correctement.	➤ Vérifiez les clayettes et remplacez-les correctement.
L'écran LED affiche EL ou EH .	Le capteur de température de l'air à l'intérieur de la cave de vieillissement affiche une erreur.	➤ La réparation doit être effectuée uniquement par un agent de service agréé.

9 Nettoyage et maintenance

9.1 Nettoyage



AVERTISSEMENT ! Risque d'électrocution

Avant toute opération de nettoyage ou d'entretien de la cave de vieillissement, veillez à la débrancher du secteur.



AVIS ! Risque d'endommagement

- N'utilisez pas de produits abrasifs ou d'objets durs pour le nettoyage, car ceux-ci pourraient endommager la cave de vieillissement.
- N'utilisez jamais d'outils durs ou pointus pour enlever les couches de glace ou pour détacher des objets pris dans le givre.
- N'utilisez aucun moyen mécanique ou autre pour accélérer la procédure de dégivrage.

- Nettoyez la cave de vieillissement régulièrement et dès qu'elle est sale à l'aide d'un chiffon humide.
- Veillez à ce que de l'eau ne goutte pas sur les joints. Cela risque d'endommager les composants électroniques.
- Essuyez la cave de vieillissement avec un chiffon après l'avoir nettoyée.
- Vérifiez régulièrement l'évacuation de la condensation.

Nettoyez l'évacuation de la condensation si nécessaire. Si elle est obstruée, la condensation s'accumule en bas de la cave de vieillissement.

9.2 Remplacement du filtre à charbon actif

Remplacez le filtre à charbon actif par un nouveau filtre une fois par an (fig. **19**, page 12) :

1. Tournez le filtre de 90° dans le sens des aiguilles d'une montre ou dans le sens inverse et retirez-le.
2. Insérez le nouveau filtre.
3. Tournez le filtre de 90° dans le sens des aiguilles d'une montre ou dans le sens inverse jusqu'à ce qu'il s'enclenche.

10 Garantie

Consultez les sections ci-dessous pour de plus amples informations relatives à la garantie et l'assistance dans le cadre de la garantie aux États-Unis, au Canada et dans toutes les autres régions.

10.1 États-Unis et Canada

GARANTIE LIMITÉE DISPONIBLE SUR
DOMETIC.COM/WARRANTY.

POUR TOUTE QUESTION OU POUR OBTENIR UNE COPIE GRATUITE DE LA GARANTIE LIMITÉE, CONTACTEZ :

DOMETIC CORPORATION
CUSTOMER SERVICE
ATTN: WARRENTY DEPARTMENT
13259 EAST 166TH STREET
CERRITOS, CA 90703
PHONE: 1-800-789-2206
FAX: 562 802-3391

10.2 Toutes les autres régions

La période de garantie légale s'applique. Si le produit s'avérait défectueux, veuillez vous adresser à la succursale du fabricant située dans votre région (dometic.com/dealer) ou à votre revendeur spécialisé.

Pour toutes réparations ou autres prestations de garantie, veuillez joindre à l'appareil les documents suivants :

- Une copie de la facture avec la date d'achat
- Un motif de réclamation ou une description du dysfonctionnement

Notez que toute réparation effectuée par une personne non agréée peut présenter un risque de sécurité et annuler la garantie.

11 Mise au rebut

Recyclage des emballages



- Dans la mesure du possible, jetez les emballages dans les conteneurs de déchets recyclables prévus à cet effet.


AVERTISSEMENT ! Risque de coincement des enfants

Avant de mettre au rebut la cave de vieillissement :

- Retirez la porte.
- Laissez les clayettes dans le produit, afin que les enfants ne puissent pas entrer dedans.


AVERTISSEMENT ! Risque d'incendie

- Le fluide frigorigène est hautement inflammable. N'ouvrez ou n'endommagez en aucun cas le circuit frigorifique.
- L'isolation de l'appareil comporte un gaz isolant (voir la plaque signalétique). N'endommagez pas l'isolation.

Recyclage des produits contenant des piles non remplaçables, des batteries ou des sources lumineuses rechargeables


- Mettez le produit au rebut conformément à toutes les réglementations en vigueur.
- Le produit peut être mis au rebut gratuitement.


Caractéristiques techniques

Le circuit frigorifique contient une faible quantité de liquide de réfrigérant écologique, mais inflammable. Il n'affecte pas la couche d'ozone et ne contribue pas à l'effet de serre. Une fuite de liquide réfrigérant peut prendre feu.

	D 18B	D 46B
Tension d'entrée :	115 V 60 Hz	
Volume total :	55 l	128 l
Alimentation d'entrée nominale :	85 W	110 W
Plage de température de stockage :		
– Zone supérieure :	4 °C (39 °F) à 12 °C (54 °F)	
– Zone inférieure :	12 °C (54 °F) à 22 °C (72 °F)	
Émissions sonores :	39 dB(A)	
Fluide moteur :	Cyclopentane	

	D 18B	D 46B
Fluide frigorigène :	R600a	
Dimensions (l x h x p) :	fig. 20 , page 12	fig. 21 , page 13
Poids :	30 kg (66 lb)	43 kg (96 lb)
Contrôle/certificats :	 	

Suivez les conditions d'utilisation EPA.

12 Mentions légales

Cet appareil est conforme à la partie 15 des règles de la FCC. Le fonctionnement est soumis aux deux conditions suivantes :

- Cet appareil ne doit pas causer d'interférences nuisibles.
- Cet appareil doit accepter toutes les interférences, y compris celles susceptibles de causer un fonctionnement indésirable.

Les changements ou modifications qui ne sont pas expressément approuvés par la partie responsable de la conformité peuvent annuler le droit de l'utilisateur à utiliser l'équipement.

Cet équipement a été testé et déclaré conforme aux limites d'un appareil numérique de classe B, conformément à la partie 15 des règles de la FCC. Ces limites sont destinées à fournir une protection raisonnable contre les interférences nuisibles dans une installation résidentielle. Cet équipement génère, utilise et peut émettre une énergie de radiofréquence et, s'il n'est pas installé et utilisé conformément aux instructions, causer des interférences nuisibles aux communications radio. Cependant, il n'y a aucune garantie que des interférences ne se produiront pas dans une installation particulière. Si cet équipement provoque des interférences nuisibles à la réception des signaux radio ou de télévision, ce qui peut être déterminé en éteignant et en allumant l'équipement, l'utilisateur est encouragé à essayer de corriger ces interférences via une ou plusieurs des mesures suivantes :

- Réorienter ou déplacer l'antenne de réception.
- Augmenter la distance entre l'équipement et le récepteur.
- Connecter l'équipement à une prise sur un circuit différent de celui auquel le récepteur est connecté.
- Consulter le revendeur ou un technicien radio/TV expérimenté pour obtenir de l'aide.

Lea atentamente estas instrucciones y siga las indicaciones, directrices y advertencias incluidas en este manual para asegurarse de que instala, usa y mantiene correctamente el producto en todo momento. Estas instrucciones DEBEN permanecer con este producto.

Al usar el producto, usted confirma que ha leído cuidadosamente todas las instrucciones, directrices y advertencias, y que entiende y acepta cumplir los términos y condiciones aquí establecidos. Usted se compromete a usar este producto solo para el propósito y la aplicación previstos y de acuerdo con las instrucciones, directrices y advertencias establecidas en este manual del producto, así como de acuerdo con todas las leyes y reglamentos aplicables. La no lectura e incumplimiento de las instrucciones y advertencias aquí expuestas puede causarle lesiones a usted o a terceros, daños en el producto o daños en otras propiedades cercanas. Este manual del producto, incluyendo las instrucciones, directrices y advertencias, y la documentación relacionada, pueden estar sujetos a cambios y actualizaciones. Para obtener información actualizada sobre el producto, visite la página documents.dometic.com.

Índice

- 1 Explicación de los símbolos 52
- 2 Indicaciones de seguridad 53
- 3 Volumen de entrega 56
- 4 Uso adecuado 56
- 5 Descripción técnica 57
- 6 Instalación 59
- 7 Manejo. 60
- 8 Resolución de problemas. 65
- 9 Limpieza y mantenimiento 67
- 10 Garantía 68
- 11 Gestión de residuos 69
- 12 Datos técnicos. 70
- 13 Aspectos legales. 71

1 Explicación de los símbolos



¡PELIGRO!

Información de seguridad: Indica una situación peligrosa que, de no evitarse, ocasionará la muerte o lesiones graves.



¡ADVERTENCIA!

Información de seguridad: Indica una situación peligrosa que, de no evitarse, puede ocasionar la muerte o lesiones graves.

**¡ATENCIÓN!**

Información de seguridad: Indica una situación peligrosa que, de no evitarse, puede ocasionar lesiones moderadas o leves.

**¡AVISO!**

Indica una situación peligrosa que, de no evitarse, puede provocar daños materiales.

**NOTA**

Información adicional para el manejo del producto.

2 Indicaciones de seguridad

2.1 Seguridad general



¡ADVERTENCIA! El incumplimiento de estas advertencias podría acarrear la muerte o lesiones graves.

Riesgo de electrocución

- No ponga la cava de vinos en funcionamiento si presenta desperfectos visibles.
- Si el cable de conexión de esta cava de vinos está dañado, debe ser reemplazado por el fabricante, un técnico de mantenimiento autorizado o una persona con cualificación similar para evitar posibles peligros.
- Solo personal especializado está autorizado a realizar reparaciones en la cava de vinos. Las reparaciones realizadas incorrectamente pueden generar situaciones de considerable peligro.
- Cuando ubique la cava de vinos, asegúrese de que el cable de suministro eléctrico no haya quedado atrapado o esté dañado.
- No coloque varias tomas o suministros de corriente portátiles detrás de la cava de vinos.
- Enchufe el aparato en tomas que garanticen una conexión correcta, sobre todo cuando sea necesario poner a tierra el aparato.

Peligro de incendio

- El refrigerante del circuito de refrigeración es muy inflamable. En caso de daños en el circuito de refrigeración:
 - Desconecte la cava de vinos.
 - Evite el fuego abierto y las chispas.
 - Ventile bien la habitación.

Riesgo para la salud

- Este aparato puede ser utilizado por menores a partir de 8 años y personas con capacidad física, sensorial o mental reducida, o con falta de experiencia y conocimientos, siempre que lo hagan bajo supervisión o hayan recibido instrucciones relativas al uso del mismo de manera segura y entendiendo los riesgos asociados.
- No deje que los niños jueguen con el aparato.
- Los menores no deberán limpiar ni realizar el mantenimiento de usuario sin la debida supervisión.
- Los menores de 3 a 8 años pueden introducir y extraer botellas de la cava de vinos.
- Para evitar peligros causados por la inestabilidad del armario para la conservación de vinos, este deberá fijarse tal como se indica en las instrucciones de instalación.
- Asegúrese de que las aberturas de ventilación, tanto de la carcasa de la cava de vinos como de la estructura en la que esté empotrada, no estén nunca obstruidas.
- No utilice dispositivos mecánicos u otros medios para acelerar el proceso de descongelación, salvo los recomendados por el fabricante.
- No dañe el circuito de frío.
- No abra nunca el circuito de refrigerante.
- No utilice ningún aparato eléctrico dentro de la cava de vinos, a no ser que el aparato en cuestión haya sido recomendado para ello por el fabricante del mismo.

Peligro de explosión

- No guarde en la cava de vinos sustancias explosivas, tales como botes de aerosol con gases propelentes.



¡ATENCIÓN! El incumplimiento de estas precauciones podría acarrear lesiones moderadas o leves.

Riesgo de aplastamiento

- No introduzca la mano en el tope de la tapa.

Riesgo para la salud

- Solo se pueden almacenar en el aparato botellas cerradas y todavía precintadas.

**¡AVISO! Peligro de daños**

- Compruebe que la especificación de tensión indicada en la placa de características sea igual a la de la fuente de alimentación.
- No desenchufe nunca el cable de conexión tirando de él.
- Esta cava de vinos no es apta para almacenar sustancias corrosivas o que contengan disolventes.
- Mantenga siempre limpias las aberturas de desagüe.
- No transporte nunca la cava de vinos en posición horizontal para así evitar que el aceite salga del compresor.
- Instale la cava de vinos en un lugar seco y protegido contra posibles salpicaduras de agua.

2.2 Manejo seguro de la cava de vinos

**¡PELIGRO! El incumplimiento de estas advertencias puede acarrear la muerte o lesiones graves.****Riesgo de electrocución**

- No toque los cables sin aislamiento directamente con las manos.

**¡ATENCIÓN! El incumplimiento de estas precauciones podría acarrear lesiones moderadas o leves.****Riesgo de electrocución**

- Antes de poner en funcionamiento la cava de vinos, asegúrese de que el cable de alimentación y la clavija de enchufe estén secos.

Riesgo para la salud

- Dejar la puerta abierta durante un período prolongado puede producir un incremento considerable de la temperatura en los compartimentos de la cava de vinos.
- Limpie periódicamente las superficies que puedan entrar en contacto con las botellas de vino y los sistemas de desagüe accesibles.

- Si el aparato se deja vacío durante un tiempo prolongado:
 - Desconecte la cava de vinos.
 - Descongele la cava de vinos.
 - Limpie y seque la cava de vinos.
 - Deje la puerta abierta para evitar que se genere moho dentro de la cava de vinos.



¡AVISO! Peligro de daños

- No coloque la cava de vinos cerca de llamas abiertas ni de otras fuentes de calor (calefacción, radiación directa del sol, estufas de gas, etc.).
- **¡Peligro de sobrecalentamiento!**
Asegúrese de que quede garantizada en todo momento una evacuación adecuada del calor que se genera durante el funcionamiento. Asegúrese también de que el aparato guarde la suficiente distancia respecto a paredes u objetos, de forma que el aire pueda circular.
- No sumerja nunca la cava de vinos en agua.
- Proteja la cava de vinos y los cables del calor y de la humedad.
- Asegúrese de que las botellas de vino no toquen ninguna pared del interior de la zona de refrigeración.

3 Volumen de entrega

- Cava de vino
- Instrucciones de montaje y de uso

4 Uso adecuado

Este armario para la conservación de vinos (también denominado cava de vinos) está diseñado para funcionar en edificios cerrados, como por ejemplo:

- En cocinas de personal situadas en tiendas, oficinas y otras zonas de trabajo
- En el sector agrícola
- En hoteles, moteles y otros alojamientos
- En establecimientos de tipo “bed and breakfast”
- En empresas de restauración o actividades similares al por mayor

La cava de vinos está diseñada para ser empotrada en un mueble o como aparato independiente. Consulte las instrucciones de instalación.

La cava de vinos está diseñada exclusivamente para almacenar vinos y controlar su temperatura. Solo se pueden almacenar en el aparato botellas cerradas y todavía precintadas.

La cava de vinos no es adecuada para almacenar medicamentos ni para congelar alimentos.

Esta cava de vinos solo es apta para el uso y la aplicación previstos de acuerdo con estas instrucciones.

Este manual proporciona la información necesaria para la correcta instalación y/o funcionamiento de la cava de vinos. Una instalación deficiente y/o un uso y mantenimiento inadecuados conllevan un rendimiento insatisfactorio y posibles fallos.

El fabricante no se hace responsable de ninguna lesión o daño en el producto ocasionados por:

- Un montaje o conexión incorrectos, incluido un exceso de tensión
- Un mantenimiento incorrecto o el uso de piezas de repuesto distintas de las originales proporcionadas por el fabricante
- Modificaciones realizadas en el producto sin el expreso consentimiento del fabricante
- Uso con una finalidad distinta de la descrita en las instrucciones

Dometic se reserva el derecho de cambiar la apariencia y las especificaciones del producto.

5 Descripción técnica

Los modelos de cavas de vino están equipados con:







- Dos zonas de temperatura:
 - Zona superior: De 4 °C (39 °F) a 12 °C (54 °F)
 - Zona inferior: De 12 °C (54 °F) a 22 °C (72 °F)
- Función de descongelación automática
- Botones con sensor
- Indicación de temperatura en °C/°F
- Lámpara LED interior
- Función de memoria de la temperatura: La temperatura ajustada se guarda cuando la cava de vinos está apagada.

- Control de temperatura: Cuando la temperatura interior de una zona difiere en gran medida de la temperatura ajustada, suena un tono de alarma y la indicación de temperatura parpadea.

Vista general

N.º en fig. 1, página 3	Denominación
1	Panel de control
2	Estante
3	Patas de ajuste
4	Rejilla de ventilación

Elementos de control

N.º en fig. 2, página 3	Símbolo	Descripción
1		Pulsador de encendido y apagado
2		Aumenta la temperatura ajustada en 1 °C o 1 °F para la zona superior o izquierda
3		Reduce la temperatura ajustada en 1 °C o 1 °F para la zona superior o izquierda
4		Indicación de temperatura (zona superior o izquierda)
5		Indicación de la temperatura (zona inferior o derecha)
6		Aumenta la temperatura ajustada en 1 °C o 1 °F para la zona inferior o derecha
7		Reduce la temperatura ajustada en 1 °C o 1 °F para la zona inferior o derecha
8		Enciende o apaga la lámpara LED interior

6 Instalación

6.1 Elección del lugar de montaje

A la hora de seleccionar el lugar de instalación, tenga en cuenta lo siguiente:

- El suelo debe estar nivelado y ser lo suficientemente estable como para soportar el peso de la cava de vinos completamente llena.
 - La cava de vinos debe colocarse de forma que el enchufe sea accesible.
 - Tenga en cuenta las indicaciones sobre la conexión eléctrica, véase capítulo “Conectar la cava de vinos” en la página 60.
- Retire todos los materiales de embalaje interiores y exteriores antes de la instalación.

6.2 Integración de cavas de vinos independientes

La cava de vinos puede colocarse debajo de una encimera o entre otros armarios (fig. **3**, página 4).

Al integrar la cava de vinos, tenga en cuenta las siguientes indicaciones:

- Observe las medidas de instalación (fig. **4**, página 4).
- Asegúrese de que la puerta se abrirá y cerrará correctamente en la ubicación elegida.
- El calor residual producido por la cava de vinos debe ser extraído a través de las aberturas de ventilación en la parte trasera y en ambos lados.

6.3 Montaje del asa de la puerta

- Monte el asa tal y como se muestra fig. **5**, página 5.

6.4 Ajuste de las patas

- Nivele la cava de vinos ajustando la altura de las patas (fig. **6**, página 5).

6.5 Ajuste de la rejilla de ventilación

- Ajuste la altura de la rejilla de ventilación (fig. **7**, página 6).

6.6 Cambiar el lado de apertura de la puerta

Puede cambiar la posición de las bisagras de la puerta permitiendo abrirla hacia la izquierda en lugar de hacia la derecha.

1. Proceda como se indica para cambiar la bisagra de la puerta (fig. **8**, página 6 a fig. **14**, página 9).
2. Invierta el asa de la puerta (fig. **13**, página 9).

6.7 Conectar la cava de vinos

Al conectar la cava de vinos, tenga en cuenta las siguientes indicaciones:

- Deje la cava de vinos en posición vertical durante unas 2 horas después de transportarla, antes de conectarla a la fuente de alimentación. De lo contrario, pueden producirse averías en el sistema de refrigeración.
 - Conecte la cava de vinos a un circuito protegido con 15 A.
 - Haga que un electricista cualificado compruebe la toma de corriente y el circuito de alimentación para asegurarse de que la toma de corriente está conectada a tierra correctamente. No utilice un cable alargador ni una toma de corriente múltiple.
 - El cable de alimentación debe estar situado de forma segura detrás de la cava de vinos y no debe dejarse tendido ni colgado sin una protección.
 - Asegúrese de que el cable de alimentación no quede atascado al empujar la cava de vinos a su posición.
- Conecte el enchufe del cable de conexión a la red de corriente alterna.
- ✓ La pantalla se enciende.

7 Manejo

7.1 Antes del primer uso

Por razones de higiene, limpie la cava de vinos por dentro y por fuera con un paño húmedo antes del primer uso (véase también capítulo “Limpieza y mantenimiento” en la página 67).

7.2 Almacenaje de botellas


Tenga en cuenta las siguientes indicaciones:

- Almacene únicamente vino envasado en botellas cerradas y aún selladas.
 - No sobrecargue la cava de vinos.
 - No cubra los estantes con papel de aluminio ni con ningún otro objeto, ya que esto obstruye la circulación del aire.
 - Después de un corte de corriente o si la cava de vinos se ha apagado, espere de 3 a 5 minutos antes de volver a encenderla.
- Coloque las botellas tal como se muestra desde la fig. **15**, página 10 a la fig. **17**, página 11.

7.3 Ahorro de energía

- Abra la cava de vinos solamente el tiempo y las veces que sea necesario.
- No regule una temperatura innecesariamente baja en el interior.
- Para un consumo de energía óptimo, coloque los estantes y cajones en la misma posición que ocupan en el momento de la entrega.
- Compruebe periódicamente que la junta de la puerta encaja correctamente.
- Elimine regularmente el polvo y la suciedad del condensador.

7.4 Encender y apagar

- Para encender y apagar la cava de vinos, pulse el botón  durante al menos 6 segundos.

7.5 Ajustar la temperatura

Tenga en cuenta lo siguiente para no desperdiciar alimentos:

- Procure que las oscilaciones de temperatura sean mínimas. Abra la cava de vinos solamente el tiempo y las veces que sea necesario. Almacene las botellas de vino de manera que no impidan una buena circulación del aire.
- Ajuste la temperatura a la cantidad y el tipo de botellas de vino.

Ajuste de las unidades (°C o °F)

Puede seleccionar si la temperatura se muestra en grados centígrados o Fahrenheit.

- ▶ Pulse los botones \triangle y ∇ simultáneamente durante 2 segundos.
- ✓ La unidad se convierte y la pantalla muestra la temperatura en la unidad seleccionada.

Aumento y disminución de la temperatura

La temperatura se puede configurar por separado para las dos zonas.

- ▶ Pulse el botón que corresponda, \triangle o ∇ , para ajustar la temperatura.
- ✓ La indicación parpadea mientras se realiza el ajuste.
- ✓ Tras haber ajustado la temperatura, la pantalla muestra la temperatura interior actual.



NOTA

Si utiliza la cava de vinos por primera vez o esta no se ha utilizado durante mucho tiempo, la temperatura interior podría diferir de la que usted ha establecido. En ese caso, el indicador de temperatura parpadea. Una vez que se alcanza la temperatura configurada, el indicador de temperatura luce de forma constante.

Comprobación del ajuste de temperatura

- ▶ Pulse brevemente el botón \triangle o ∇ .
- ✓ La temperatura ajustada aparece en la pantalla durante 5 segundos. A continuación, la pantalla muestra de nuevo la temperatura interior actual.



NOTA

En caso de interrupción de la tensión (apagón, cambio de conmutador) no se guardarán los ajustes de temperatura anteriores. La temperatura vuelve a la temperatura por defecto.

Monitorización de la temperatura

Las señales de alarma evitan que la temperatura baje o suba demasiado sin que usted lo advierta, lo cual podría afectar a la calidad del vino. Una vez que la cava de vinos alcanza la temperatura ajustada, la señal de alarma deja de sonar y la indicación de temperatura deja de parpadear.

Suena un tono de alarma y la indicación de temperatura parpadea en los casos siguientes:

- Cuando la temperatura interior difiere en más de un 5 °C (41 °F) del valor ajustado.

Para apagar el tono de alarma antes de tiempo:

► Pulse brevemente el botón .

- ✓ La indicación de temperatura parpadea hasta que se haya alcanzado la temperatura ajustada. A continuación, la indicación queda iluminada de forma permanente y esto indica que el sistema de alarma vuelve a estar activo.

Temperaturas de conservación y de consumo del vino


La temperatura de conservación recomendada para el vino blanco y el vino tinto está entre 10 °C (50 °F) y 14 °C (57 °F).

La temperatura para servirlo depende del origen y de la uva en cuestión.

Región	Temperatura de consumo	
	Vino blanco	Vino tinto
Burdeos	12 °C (54 °F)	18 °C (64 °F)
Borgoña	10 °C (50 °F)	16 °C (61 °F)
Loira	10 °C (50 °F)	15 °C (59 °F)
Languedoc	12 °C (54 °F)	18 °C (64 °F)
Alsace Grand Cru	12 °C (54 °F)	16 °C (61 °F)
Piamonte, Toscana	10 °C (50 °F)	18 °C (64 °F)
Rioja	12 °C (54 °F)	18 °C (64 °F)
Valle de Napa	12 °C (54 °F)	16 °C (61 °F)
Australia	10 °C (50 °F)	16 °C (61 °F)
Chile	10 °C (50 °F)	18 °C (64 °F)

Región	Temperatura de consumición	
	Vino blanco	Vino tinto
Vino de licor	8 °C (46 °F)	–
Champán	6 °C (43 °F)	–

7.6 Encendido y apagado de la lámpara LED interior

- ▶ Para encender y apagar la cava de vinos, pulse el botón  durante al menos 5 segundos.

7.7 Desbloqueo de las teclas

- ▶ Para desbloquear los botones, pulse  y  simultáneamente.

7.8 Desplazamiento de los estantes de la cava

Los estantes pueden extraerse en un tercio para poder alcanzar fácilmente las botellas de vino.

Los estantes tienen un tope para evitar que se extraigan demasiado.


- ▶ Proceda como se muestra para retirar uno de los estantes del carril guía (fig. **18**, página 11).

7.9 Descongelación

La cava de vinos dispone de una función de descongelación automática.

7.10 Desconexión y almacenamiento de la cava de vinos

Si no va a usar la cava de vinos durante un largo período de tiempo, proceda como se indica a continuación:

1. Pulse el botón  hasta que se apague la cava de vinos.
 2. Desconecte el cable de alimentación de tensión.
 3. Limpie la cava de vinos (véase capítulo “Limpieza y mantenimiento” en la página 67).
- ✓ La puerta permanece abierta y se evita así que se generen olores.

8 Resolución de problemas

Si hay algún problema que no pueda resolver, póngase en contacto con un técnico de mantenimiento autorizado.

Fallo	Posible causa	Solución
La cava de vinos no funciona.	La cava de vinos no está conectada a la red eléctrica.	► Conecte la cava de vinos.
	La cava de vinos está apagada.	► Encienda la cava de vinos.
	El interruptor de seguridad o un fusible han saltado.	► Conecte el interruptor de seguridad, conecte o cambie el fusible.
La cava de vinos no está lo suficientemente fría.	La temperatura no está bien ajustada.	► Compruebe el ajuste de temperatura.
	La temperatura ambiente podría requerir un ajuste de temperatura más alto.	► Ajuste una temperatura más alta.
	La puerta se ha abierto con frecuencia.	► No abra la puerta más de lo necesario.
	La puerta no está bien cerrada.	► Cierre la puerta correctamente.
	La junta de la puerta no cierra herméticamente.	► Compruebe la junta de la puerta, límpiela o cámbiela.

Fallo	Posible causa	Solución
La cava de vinos se enciende y apaga sola.	La temperatura ambiente es superior a la media.	▶ Coloque la cava de vinos en un lugar más fresco.
	La cava de vinos se ha llenado hace poco con nuevas botellas.	▶ Deje cierto tiempo la cava de vinos en funcionamiento hasta que se alcance la temperatura ajustada.
	La puerta se ha abierto con frecuencia.	▶ No abra la puerta más de lo necesario.
	La puerta no está bien cerrada.	▶ Cierre la puerta correctamente.
La lámpara LED interior no funciona.	La cava de vinos no está conectada a la red eléctrica.	▶ Conecte la cava de vinos.
	El interruptor de seguridad o un fusible han saltado.	▶ Conecte el interruptor de seguridad, conecte o cambie el fusible.
	La lámpara LED interior se ha apagado en el panel de control.	▶ Encienda la lámpara LED interior.
La cava de vinos vibra.	La cava de vinos no está bien nivelada.	▶ Nivele la cava de vinos con las patas ajustables (fig. 6 , página 5).
La cava de vinos hace mucho ruido.	Posiblemente el ruido lo cause el refrigerante, lo cual es normal. Al final de cada ciclo se oirán ruidos causados por la circulación del refrigerante. Si se dan fluctuaciones de temperatura, la contracción y expansión de las paredes internas pueden provocar chasquidos o crujiidos.	
	La cava de vinos no está bien nivelada.	▶ Nivele la cava de vinos con las patas ajustables.

Fallo	Posible causa	Solución
La puerta no cierra correctamente.	La cava de vinos no está bien nivelada.	► Nivele la cava de vinos con las patas ajustables.
	La bisagra de la puerta se ha cambiado de forma incorrecta.	► Compruebe la bisagra de la puerta y vuelva a montarla correctamente.
	La junta de la puerta está sucia.	► Limpie la junta de la puerta.
	Los estantes no están bien colocados.	► Compruebe los estantes y recolóquelos correctamente.
La pantalla LED muestra <i>EL</i> o bien <i>EH</i> .	El sensor de temperatura del aire en el interior de la cava de vinos indica un error.	► Únicamente un técnico de mantenimiento autorizado puede realizar la reparación.

9 Limpieza y mantenimiento

9.1 Limpieza



¡ADVERTENCIA! Riesgo de electrocución

Desconecte siempre la cava de vinos de la red antes de proceder a su limpieza o mantenimiento.



¡AVISO! Peligro de daños

- No emplee productos de limpieza abrasivos ni objetos duros que puedan deteriorar la cava de vinos.
- Nunca utilice herramientas duras ni puntiagudas para retirar capas de hielo o despegar productos que se hayan adherido al congelarse.
- No utilice herramientas mecánicas ni de otra clase para acelerar el deshielo.

- Limpie la cava de vinos con un paño húmedo periódicamente y cada vez que se ensucie.

- ▶ Preste atención a que no gotee agua en las juntas. Ello puede dañar el sistema electrónico.
- ▶ Seque la cava de vinos con un paño después de limpiarla.
- ▶ Compruebe regularmente el orificio de drenaje del agua de condensación. Si es necesario, limpie el orificio de drenaje del agua de condensación. Si está atascado, el agua de condensación se acumulará en la parte inferior de la cava de vinos.

9.2 Cambio del filtro de carbón activo

Sustituya el filtro de carbón activo por uno nuevo una vez al año (fig. 19, página 12):

1. Gire el filtro 90° en el sentido de las agujas del reloj o en sentido contrario y retírelo.
2. Coloque el filtro nuevo con cuidado.
3. Gire el filtro 90° en el sentido de las agujas del reloj o en el sentido contrario hasta que oiga que encaja en su posición.

10 Garantía

Consulte las siguientes secciones para obtener información sobre garantía y asistencia para garantía en EE. UU., Canadá y el resto de regiones.

10.1 Estados Unidos y Canadá

GARANTÍA LIMITADA DISPONIBLE EN
DOMETIC.COM/WARRANTY.

SI TIENE PREGUNTAS O DESEA OBTENER UNA COPIA SIN COSTO DE LA GARANTÍA LIMITADA, CONTACTE CON:

DOMETIC CORPORATION
CUSTOMER SERVICE
ATTN: WARRANTY DEPARTMENT
13259 EAST 166TH STREET
CERRITOS, CA 90703
TELÉFONO: 1-800-789-2206
FAX: 562 802-3391

10.2 Otras regiones

Se aplica el período de garantía estipulado por la ley. Si el producto es defectuoso, póngase en contacto con la sucursal del fabricante en su país (dometic.com/dealer) o con su distribuidor.

Para tramitar la reparación y la garantía, incluya los siguientes documentos cuando envíe el aparato:

- Una copia de la factura con fecha de compra
- El motivo de la reclamación o una descripción de la avería

Tenga en cuenta que una reparación por medios propios o no profesionales puede tener consecuencias de seguridad y suponer la anulación de la garantía.

11 Gestión de residuos

Reciclaje de materiales de embalaje



- Deseche el material de embalaje en el contenedor de reciclaje correspondiente.



¡ADVERTENCIA! Riesgo de atrapamiento de niños

Antes de desechar la cava de vinos:

- Extraiga la puerta.
- Deje los estantes colocados dentro del aparato para que los niños no puedan entrar en él.



¡ADVERTENCIA! Peligro de incendio

- El refrigerante es altamente inflamable. No abra o dañe el circuito de refrigerante.
- El aislamiento del aparato contiene un gas aislante (véase la etiqueta de tipo). No dañe el aislamiento.

Reciclaje de productos con pilas no sustituibles, baterías recargables o fuentes de luz



- Deseche el producto respetando todas las normativas aplicables.
- El producto podrá desecharse gratuitamente.



12 Datos técnicos

El circuito de refrigeración contiene una pequeña cantidad de refrigerante compatible con el medio ambiente, pero inflamable. No daña la capa de ozono ni aumenta el efecto invernadero. Toda fuga de refrigerante puede incendiarse.

	D18B	D46B
Voltaje de entrada:	115 V 60 Hz	
Volumen total:	55 l	128 l
Potencia de entrada nominal:	85 W	110 W
Rango de temperatura de almacenamiento: – Zona superior: – Zona inferior:	De 4 °C (39 °F) a 12 °C (54 °F) De 12 °C (54 °F) t a 22 °C (72 °F)	
Emisión acústica:	39 dB(A)	
Agente espumante:	Ciclopentano	
Refrigerante:	R600a	
Dimensiones (A x H x P):	fig. 20 , página 12	fig. 21 , página 13
Peso:	30 kg (66 lb)	43 kg (96 lb)
Inspección/certificados:		

Siga las condiciones de uso EPA.

13 Aspectos legales

Este dispositivo cumple las disposiciones establecidas en la Parte 15 de las normas de la Comisión Federal de Comunicaciones (FCC). Su funcionamiento está sujeto a las dos condiciones siguientes:

- Este dispositivo no puede causar interferencias perjudiciales.
- Este dispositivo debe aceptar cualquier interferencia recibida, incluidas aquellas que puedan causar un funcionamiento inadecuado.

Los cambios o modificaciones no autorizados expresamente por la parte responsable de su cumplimiento podrían invalidar la autoridad del usuario de operar el equipo.

Las pruebas efectuadas en este equipo han servido para determinar que cumple los límites exigidos a los dispositivos digitales de Clase B, especificados en la Parte 15 de las normas de la Comisión Federal de Comunicaciones (FCC). Dichos límites se han establecido con el fin de conceder un margen razonable de protección contra interferencias perjudiciales en caso de instalación en áreas residenciales. Este equipo genera, utiliza y puede irradiar energía de radiofrecuencia y, si no se instala y utiliza de acuerdo con las instrucciones, puede provocar interferencias perjudiciales en las radiocomunicaciones. No obstante, no se garantiza que no se producirán interferencias en una instalación determinada. Si este equipo provoca interferencias perjudiciales en la recepción radiofónica o televisiva, lo que puede determinarse encendiendo y apagando el equipo, se recomienda al usuario que trate de corregirlas mediante una o más de las siguientes medidas:

- Cambiar la orientación o ubicación de la antena receptora.
- Aumentar la separación entre el equipo y el receptor.
- Enchufar el equipo en una toma de corriente que forme parte de un circuito distinto al que está conectado el receptor.
- Consultar al distribuidor o a un técnico experto en radio y televisión para obtener ayuda.
-



dometic.com

**YOUR LOCAL
DEALER**

dometic.com/dealer

**YOUR LOCAL
SUPPORT**

dometic.com/contact

**YOUR LOCAL
SALES OFFICE**

dometic.com/sales-offices