

4.25 IN

FOLD

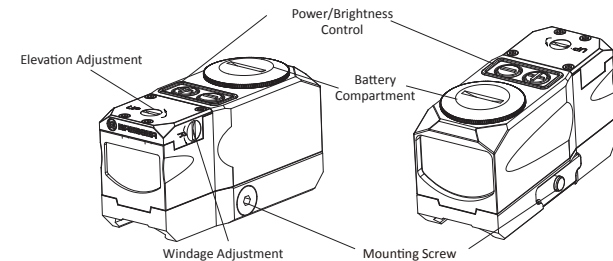
FOLD

FOLD

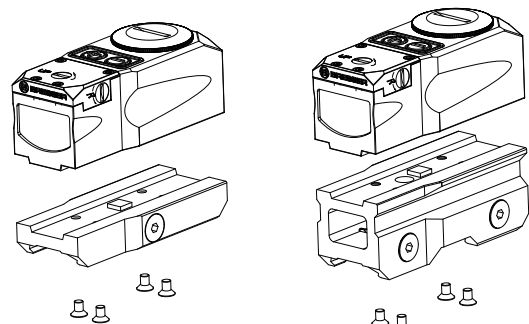
FOLD



CAUTION: BEFORE YOU BEGIN, ENSURE THAT THE FIREARM IS CLEAR. REMOVE MAGAZINE, LOCK ACTION OPEN AND VISUALLY INSPECT TO ENSURE THAT THE CHAMBER IS CLEAR.



The OMNI-4 red dot sight may be mounted in two configurations:



LOW PROFILE MOUNT

HIGH CO-WITNESS MOUNT

OMNI-4
RED INVERTED REFLEX SIGHT INSTRUCTIONS

PRODUCT SPECIFICATIONS

Model	23-20400	Power Supply	CR2032 3V Lithium Battery
Description	Red Inverted Reflex Sight	Brightness	1 - 11
Magnification	1x	Windage	30 MOA
Length	3.0"	Elevation	30 MOA
Width	1.3"	Click Value	1 MOA
Height (low/high)	1.7"/2.4"	Accessories	Picatinny Mount 4 Mounting Screws 2mm Hex Wrench 3mm Hex Wrench
Optical Height (low/high)	0.7"/1.4"		
Weight (low/high)	0.3lbs/0.36lbs		

POWERING UP AND POWERING DOWN THE RED DOT

Depress and release the "+" or "-" button to power up the red dot; press "+" and "-" button to power down the red dot. This red dot has a convenient auto-off feature that will switch off the device if it has been left on for more than 4 hours. If the unit shuts down automatically, moving or lifting the gun will turn the unit on again automatically. However, if the unit is turned off by pressing "+" and "-" simultaneously, the unit will not be turned on automatically by moving or lifting the gun.

ADJUSTING BRIGHTNESS

Pressing the power button repeatedly will step through 10 brightness settings. Select the lowest brightness setting that still provides good contrast against the target; using too high a setting may make the reticle appear distorted.

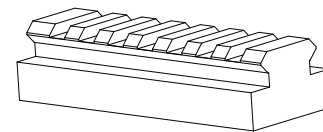
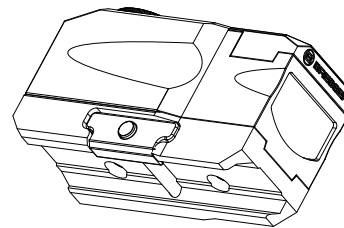
BATTERY

This red dot comes equipped with 3-volt lithium battery, NEDA type 2032. It is installed with the positive side "+" down.

INSTALLATION

CAUTION: BEFORE YOU BEGIN, ENSURE THAT THE FIREARM IS CLEAR. REMOVE MAGAZINE, LOCK ACTION OPEN AND VISUALLY INSPECT TO ENSURE THAT THE CHAMBER IS CLEAR.

To get the best performance from your red dot, it must be mounted properly. If you are not familiar with mounting a red dot, it is strongly recommended that you seek the assistance of a qualified professional.



MOUNT ONTO A PICATINNY OR WEAVER-STYLE RAIL

Your sight has integrated mounting rails that attach to a standard Weaver-style base or Picatinny rail.

Loosen the mounting screw and set the sight onto the mounting base of the firearm. The mounting screw should fit into one of the grooves in the top of the mounting base. Be sure the sight is fully seated on the mounting base before tightening the mounting screw. **(DO NOT OVER TIGHTEN MOUNTING HARDWARE. MAX. TORQUE 20 INCH LBS.)** For additional security, a drop of thread-locker can be added to the mounting screw.

ZEROING

Initial Setup

The dot position has been pre-set at the factory. Only minor windage and elevation adjustments should be required. If possible, a bore sighting device should be used for rough alignment of the sight to the firearm. If bore sighting is not possible, place the firearm on a sturdy rest and look through the barrel or along the rail at a small target about 25 yards away. Turn on the red dot and select a suitable brightness. Using a straight-slot screwdriver, adjust the windage and elevation until the dot position corresponds with the target. Note the following when making adjustments.

Click value: 1 MOA (approximately 1" at 100 yards; ¼" at 25 yards)

Windage: Counterclockwise (indicated by arrow) moves point of impact right/clockwise, left.

Elevation: Counterclockwise (indicated by arrow) moves point of impact up/clockwise, down.

FINAL SETUP (LIVE FIRE)

CAUTION: USE ADEQUATE EYE AND EAR PROTECTION AT ALL TIMES. SHOOT ONLY AT AN APPROVED RANGE OR SUITABLE SAFE AREA.

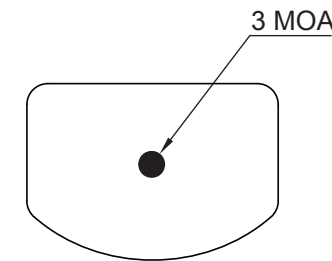
CAUTION: IF YOU HAVE USED A BORE SIGHTER, CONFIRM THAT THE BORE SPUD IS NO LONGER IN THE MUZZLE AND THAT THE BORE IS UNOBSTRUCTED.

Position the target no further than 25 yards away to begin the zeroing process. Turn on the red dot and select a suitable brightness. Carefully fire three shots and note where they strike on the target. Your group should strike the target no greater than 10" from your point of aim. (Should the group be farther away than this, the mounting process is faulty and must be corrected before proceeding.) Make adjustments to windage and elevation so that your group strikes the target approximately 1" beneath the point of aim with no windage error (at six o'clock, neither left nor right).

When complete, position the target at the desired zero distance. Fire three rounds at this distance and adjust as necessary to hit dead-on.

RETICLE

Your sight uses a 3 MOA reticle pattern. One MOA is about 1" at a distance of 100 yards (or 3/4" at 75 yards, 1/2" inch at 50 yards, etc.).



Continue on back

Register your product.

Learn about the full range of service your warranty provides.

Registering online is quick and easy!

<https://explorescientificusa.com/product-registration>

Serial numbers:

Model numbers:



For products that do not include a serial number, use the product item number followed by the date of purchase expressed in a six-digit format. For example, a purchase date of January 1, 2018, would be entered as 010118.

MAINTENANCE & CLEANING

Although your red dot is extremely durable, it is a precision instrument that should be treated with reasonable care.

LENSES

The optical coatings are hard and will last indefinitely with proper care. Should either protective windows become dirty, blow loose materials off before cleaning. Use lens cleaning fluid and a soft cloth to dab at the surface and remove any abrasive bits of dust and dirt before applying more pressure. Be patient and clean in steps so as to not grind abrasive dirt into the lens.

EXTERIOR

Should the exterior become dirty, it may be cleaned with a damp cloth. Do not use oil or solvents as they may be harmful if inadvertently rubbed onto the optical coatings.

STORAGE

This red dot has been constructed using adhesives and lubricants that enable a broad range of operational and storage environments. The grease used is temperature-stable from -50 to +175 degrees Fahrenheit. Do not store at temperatures outside this range (for example a car trunk on a very hot day).

TROUBLESHOOTING

Please use the following guide to test/correct operational issues with this red dot.

1. Red dot will not power up.

- Check to see that the battery is properly installed with "+" side facing down.
- Replace battery.
- Inspect battery terminals for corrosion or debris inhibiting contact and correct as necessary.
- Should the above be ineffective in resolving the problem, contact Bresser (**call 866.252.3811 or visit explorescientific.supportsync.com**) for return procedures.

2. Red dot brightness will not adjust.

- Move to where ambient light is low enough to clearly discern a change in brightness.
- Follow fault diagnosis #1A-C above and repeat 2A. If brightness will not adjust, contact Bresser (**call 866.252.3811 or visit explorescientific.supportsync.com**) for return procedures.

3. Red dot will not zero.

Review sections of this manual regarding zeroing. (**See ZEROING in this manual.**) This red dot is pre-centered at the factory; if more than 10" of adjustment is required at a sight-in distance of 25 yards, mounting is at fault.

4. Red dot will not adjust for windage and/or elevation

This red dot has a maximum adjustment range of 30 MOA. Beyond this range of adjustment, rotating the W/E screws will not provide additional point of impact change. If you believe that your red dot is within the maximum range of adjustment and not providing W/E movement, contact Bresser (**call 866.252.3811 or visit explorescientific.supportsync.com**) for return procedures.

5. Red dot appearance and/or target is not clear.

- Be sure to select the lowest brightness setting that still provides good contrast against the target; using too high a setting may make the reticle appear distorted.
- Inspect both sides of the main lens for contamination and clean as necessary. (**See MAINTENANCE & CLEANING in this manual.**)
- C. Check the protective window in front of the diode and clean as necessary. (**See MAINTENANCE & CLEANING in this manual.**)
- Should the above be ineffective in resolving the problem, contact Bresser (**call 866.252.3811 or visit explorescientific.supportsync.com**) for return procedures.



*REGISTERED WITHIN 60 DAYS OF PURCHASE

LIMITED FIVE YEAR WARRANTY

With a mission to make outdoor and scientific exploration accessible and affordable, EXPLORE SCIENTIFIC has been putting people on a path to adventure since 2008. A huge part of ensuring that our customers have the experiences they seek is providing unwavering support and product protection.

Upon receipt of your product, we encourage you to thoroughly inspect it, promptly register it and familiarize yourself with the applicable warranty coverage as outlined below. If you have any questions or concerns about your product and its warranty or if you need advice on getting started, please contact us at 1-866-252-3811.

Registering Your Product:

To maximize the warranty coverage provided by EXPLORE SCIENTIFIC, it is important that you promptly register your product either by mailing in the enclosed card to 1010 South 48th Street, Springdale, AR 72762 or by visiting <https://explorescientificusa.com/product-registration>.

If registered within 60 days of purchase, your product will have additional warranty protection against manufacturer defects. When you purchase an EXPLORE SCIENTIFIC product, you will notice that there are serial numbers on most telescopes, microscopes, binoculars, riflescopes, eyepieces, and other major components or educational products. Please use this number to register your item. For products that do not include a serial number, use the product item number followed by the date of purchase expressed in a six-digit format. For example, a purchase date of January 1, 2018, would be entered as 010118.

Return Authorization: Making it Easy

We know that your time is precious, so we aim to eliminate the hassle of obtaining an authorization to send in your product for repairs or service. Once you have registered your product, you may visit our online customer service center (<https://explorescientific.supportsync.com>) and submit a request for warranty service. This will generate all the required RMA (Return Merchandise Authorization) information. Prior to the return of any product or part, you must be registered as the current owner, and your Return Merchandise Authorization (RMA) number must be on the

outside of the box. If you need help in using your Return Merchandise Authorization (RMA) number, please call us at 1-866-252-3811.

Each returned product or part shipped to EXPLORE SCIENTIFIC must include the RMA number, a written statement detailing the nature of the claimed defect, as well as your name, return shipping address, and a phone number where we and/or the carrier returning your product can reach you. If the return occurs within 30 days of the purchase date, contact our Customer Service Department to receive a prepaid return label to cover shipping costs related to returning the product to our facility.

If it has been more than 30 days since the item was purchased, customers are responsible for shipping costs related to returning the product to our facility. In the event, that you must return product to EXPLORE SCIENTIFIC, we recommend that you use a carrier that offers shipment tracking for all returns and insure your package for safe return to EXPLORE SCIENTIFIC so that you are completely protected if the shipment is lost or damaged in transit. If you choose not to (1) use a carrier that offers tracking or (2) insure or declare the full value of the product, you will be responsible for any lost shipment.

Warranty Coverage Periods By Product:

EXPLORE SCIENTIFIC warranties our products to be free from defects in materials and workmanship for a specified period based on product type. EXPLORE SCIENTIFIC will repair or replace such product or part thereof that upon inspection by EXPLORE SCIENTIFIC, is found to be defective in materials or workmanship. As a condition to the obligation of EXPLORE SCIENTIFIC to repair or replace such product, the product must be returned to EXPLORE SCIENTIFIC together with proof-of-purchase and product registration satisfactory to EXPLORE SCIENTIFIC.

Warranty periods by product brand and type are:

EXPLORE SCIENTIFIC Branded Telescopes: *Limited* USA One Year Warranty once registered within 60 days
EXPLORE SCIENTIFIC Branded Eyepieces: *Limited* USA Five Year Warranty once registered within 60 days
EXPLORE SCIENTIFIC Branded Electronics & Non-Electronic Telescope Accessories: *Limited* USA One Year Warranty once registered within 60 days

The warranty periods listed below apply to the following branded products:

FirstLight, Bresser, Alpen, Explore One, National Geographic, Discovery

Telescopes: *Limited* USA One Year Warranty once registered within 60 days
Microscopes: *Limited* USA One Year Warranty once registered within 60 days
Riflescopes: *Limited* USA Five Year Warranty once registered within 60 days
Binoculars & Spotting Scopes: *Limited* USA Five Year Warranty once registered within 60 days
Laser Rangefinders, Cameras and Electronics: *Limited* USA One Year Warranty once registered within 60 days

Third-Party Products: Warranty is provided by Third Party Manufacturers

Limited Warranty is in the USA, USA territories and Canada. For full warranty protection, the product must be registered within 60 days of purchase.

The Details

USA Limited Product Warranty for Products Purchased in the USA and Canada

EXPLORE SCIENTIFIC LLC is the owner and assumes liability for all USA warranties of EXPLORE SCIENTIFIC. During the applicable warranty period, EXPLORE SCIENTIFIC will repair or replace the product, or part thereof, found upon inspection by EXPLORE SCIENTIFIC to be defective, provided the defective part or product is returned to EXPLORE SCIENTIFIC LLC, freight prepaid, with verification of product registration. EXPLORE SCIENTIFIC products purchased outside the United States and Canada are not included in this warranty, but are covered under separate warranties issued by authorized EXPLORE SCIENTIFIC International Distributors.

Non-EXPLORE SCIENTIFIC Branded/Third-Party Products

If you discover what you believe is a defective product or software from any third-party product, please contact the manufacturer of such third-party product directly for information regarding the manufacturer's warranty. Please note that products or software sold through the EXPLORE SCIENTIFIC online store that do not bear the EXPLORE SCIENTIFIC name or are not EXPLORE SCIENTIFIC's brands produced products are serviced and supported exclusively by their manufacturers in accordance with the terms and conditions packaged with the products.

EXPLORE SCIENTIFIC's warranties do not apply to products that are not EXPLORE SCIENTIFIC's brands, or other EXPLORE SCIENTIFIC produced products, even if packaged or sold with EXPLORE SCIENTIFIC products.

Silver Grade Products

EXPLORE SCIENTIFIC products purchased through our Silver Grade program are covered for the same warranty protection periods outlined above in regard to functional and/or optical defects. Cosmetic issues such as dents and blemishes are not covered as these issues are inherent to the Silver Grade designation.

Disclaimer

This warranty is not valid in cases where the product has been abused or mishandled or where unauthorized repairs have been attempted or performed. EXPLORE SCIENTIFIC specifically disclaims special, indirect, or consequential damages or lost profits, which may result from a breach of this warranty. Any implied warranties that cannot be disclaimed are hereby limited to a term of one year from the date of purchase by the original retail purchaser.

EXPLORE SCIENTIFIC reserves the right to change product specifications or to discontinue products without prior notice. All EXPLORE SCIENTIFIC's warranties are limited to the original owner. These warranties give you specific rights. You may have other rights, which vary from state to state.

Customers living outside of the USA, who have purchased an EXPLORE SCIENTIFIC product in the USA, your warranty is valid within the USA, however, customers returning a product from outside the USA for warranty repair/maintenance are responsible for shipping fees (customs, fees, duties, etc.) to and from our facility.

Certain state laws do not allow limitations on implied warranties or the exclusion or limitation of certain damages. If these laws apply to you, some or all of the disclaimers, exclusions or limitations may not apply to you, and you might have additional rights.

APO/FPO Addresses: If you're an APO/FPO customer and you're outside the domestic delivery area, the standard EXPLORE SCIENTIFIC Warranty Policy applies. However, you are responsible for shipping the product back to a stateside return address, plus handling, customs, and inventory liability. Since you are responsible for the safe delivery of any product you are returning to EXPLORE SCIENTIFIC, we recommend that it is insured against loss.

Repurposing: Our Exclusive Product Trade-Up Program

As an owner of an EXPLORE SCIENTIFIC product, you may find that it is time to grow in your exploration and you would like to trade up for a higher performance product. For a selection of products, we do offer a trade-up program. To find out if your product qualifies or for additional details, please contact our Customer Service team at 1-866-252-3811. This program is for EXPLORE SCIENTIFIC products purchased from authorized dealers in the U.S. and Canada or direct from us.

Join the Explore Care Alliance!

If you are interested in additional product protection options, EXPLORE SCIENTIFIC offers exclusive benefits to those who become members of the Explore Care Alliance. As a member of this community, you also will have access to special member pricing, new product previews and more. To find out more about this paid membership program and its benefits, visit <https://explorescientificusa.com/explorealliance>.

Please mail to:
 Explore Scientific
 1010 South 48th Street
 Springdale, AR 72762



Would you like to learn more about our
 Explore Care Alliance Program?
 YES NO

Would you like to sign up for our
 newsletter?
 YES NO

Name _____
 Address _____
 Address 2 _____
 City _____
 State/Zip Code _____
 Phone _____
 Email _____
 Date Purchased _____
 Store Name _____