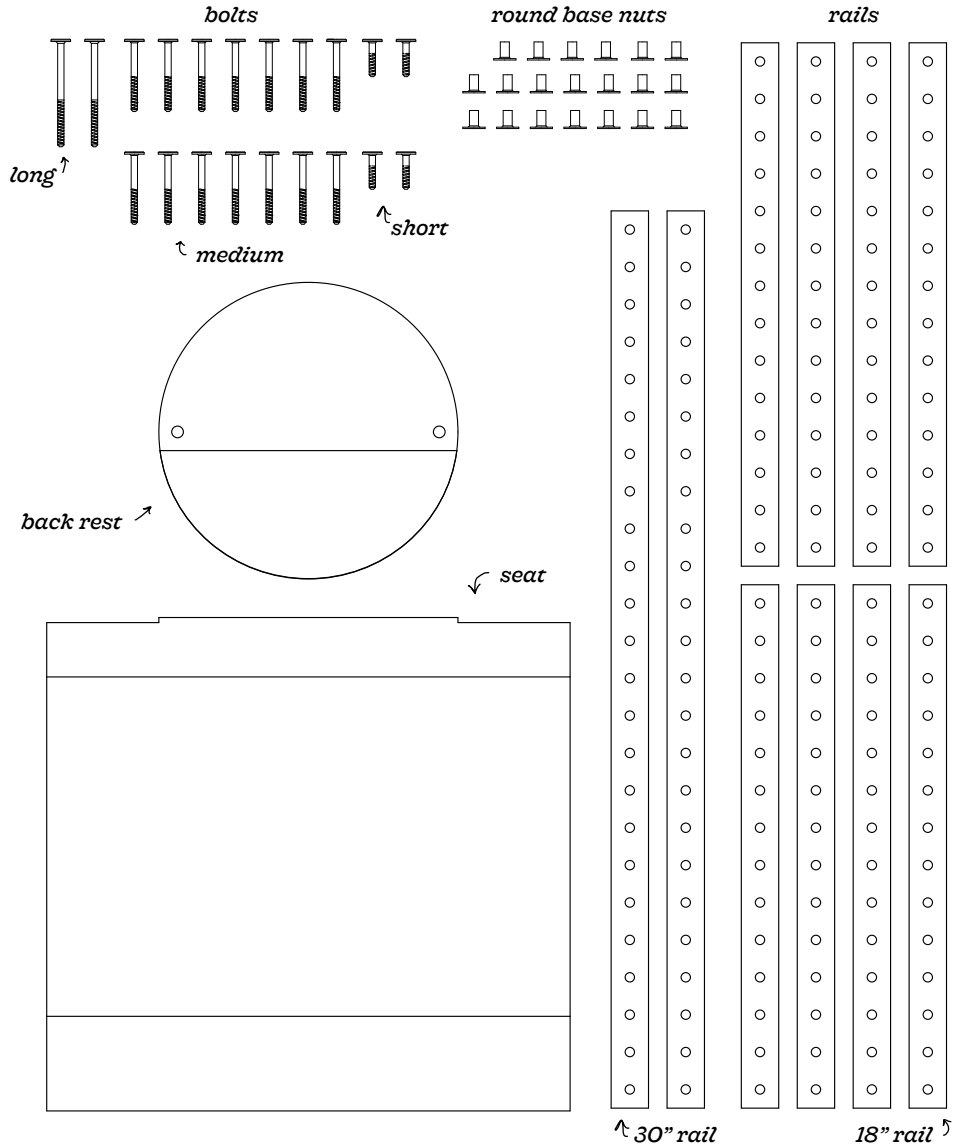
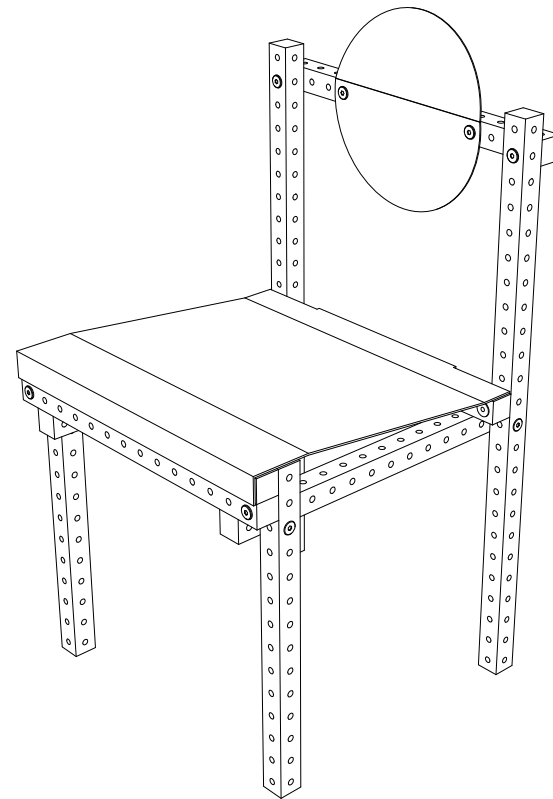


# All the parts you need



## Mamá Cari Chair



### Assembly Instructions

Assemble the Legs → Complete the Base → Tighten Up → Add the Panels

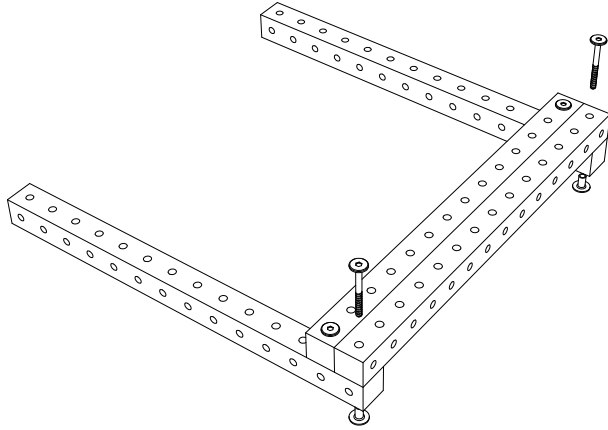


Let's start assembling!

### Step 1

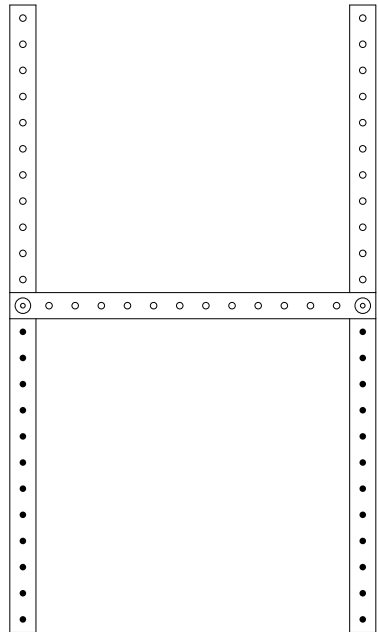
Assemble the Legs

Grab the 18" rails and your medium bolts & nuts.



Connect the legs by attaching two rails along the top\*

\*Don't tighten down the bolts too much, we'll go back and do that later



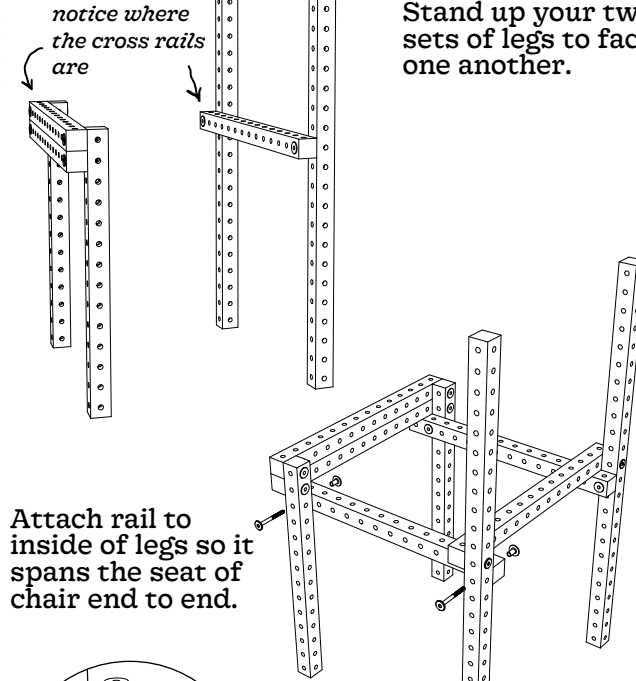
count 13 holes up from the bottom

Now grab the 30" rails and attach an 18" rail across the middle to connect.

### Step 2

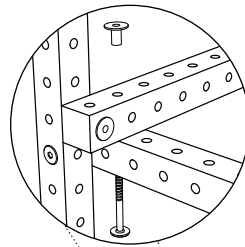
Complete the Base

Stand up your two sets of legs to face one another.

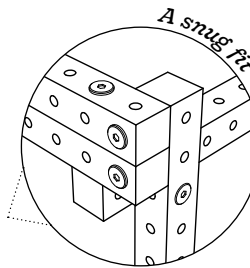
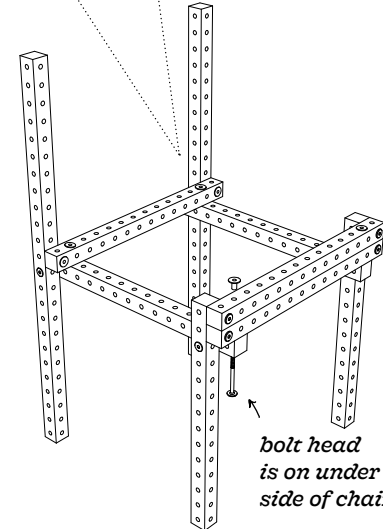


notice where the cross rails are

Attach rail to inside of legs so it spans the seat of chair end to end.



With your medium bolt attach overlapping rails in the back.



Using the long bolt, attach overlapping rails at front of chair.

bolt head is on under side of chair

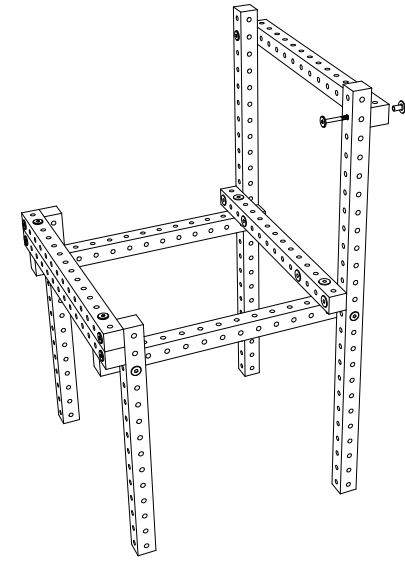
### Step 3

Tighten Up

Complete base by attaching rail to back of seat.

The chair base is now complete.

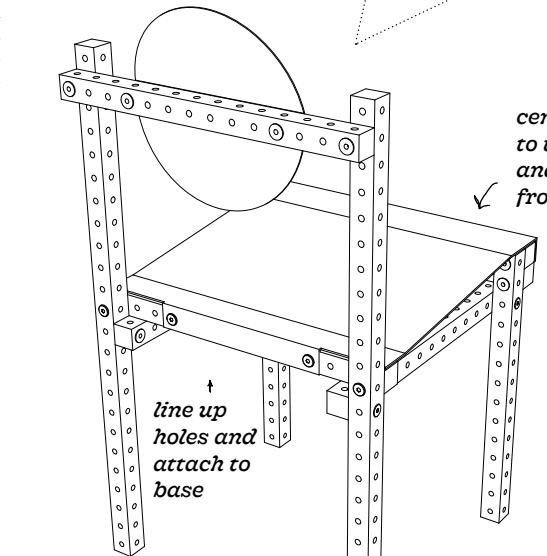
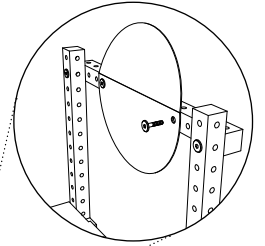
Go ahead and tighten down all the bolts.



### Step 4

Add the Panels

Use short bolts to attach the back rest and the seat to base



center seat to the base and hook over front rail

line up holes and attach to base

Woohoo, your chair is now complete!