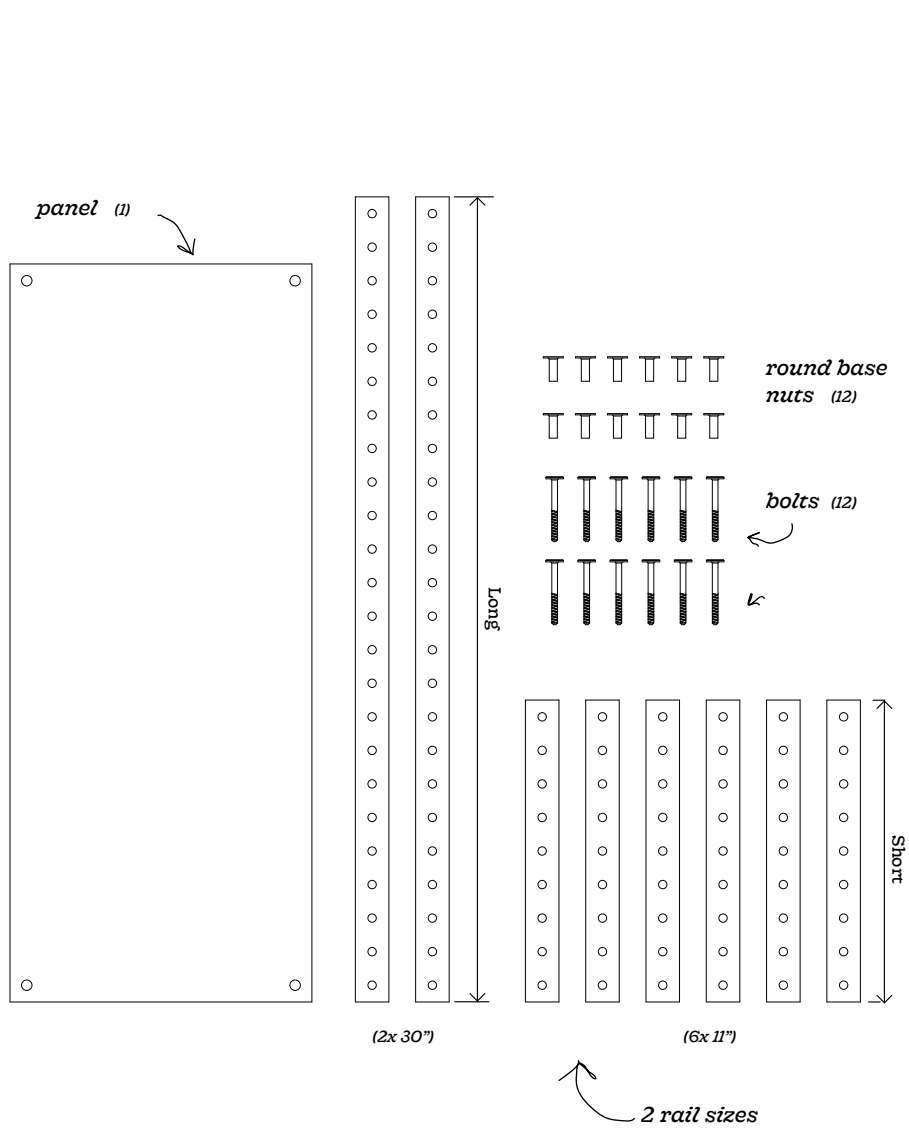
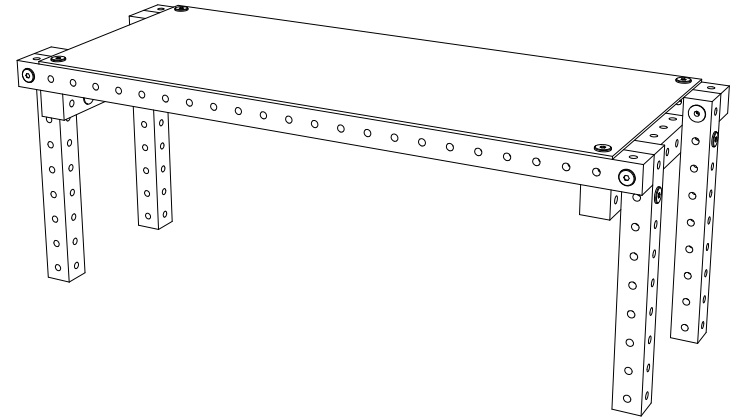


# All the parts you need



## Elvia Side Table



## Assembly Instructions

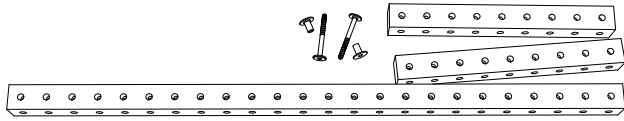
Assemble the Legs → Complete the Base → Add the Panels → Tighten Up



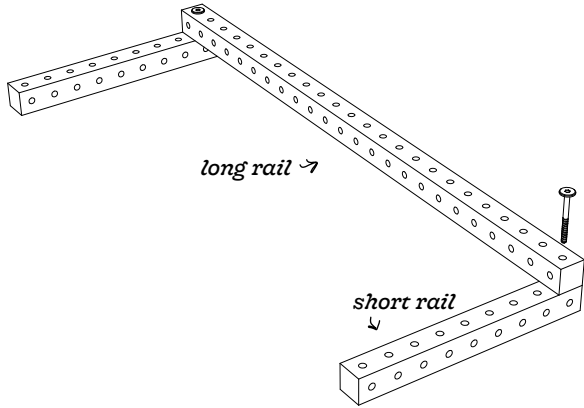
Let's start assembling!

### Step 1

Assemble the Legs



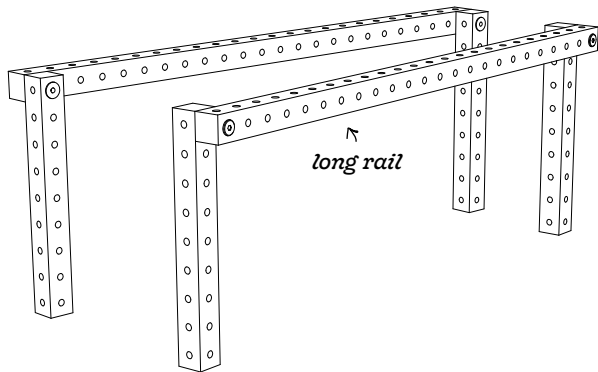
Grab the long and short rails, bolts & nuts.



Attach the long rail to the last hole on the short rail. \*

Repeat so you have a set of two legs.

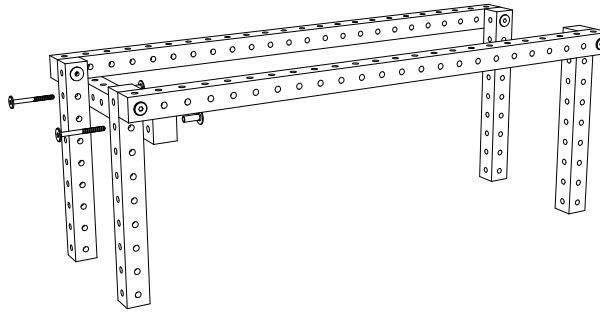
\*Don't tighten down the bolts too much, we'll go back and do that at the end.



Face legs towards each other, keeping the long rail on the outside of both sides.

### Step 2

Complete the Base



Attach a short rail to the inside of the legs so all three rails overlap creating a tri-joint.

Repeat on other side

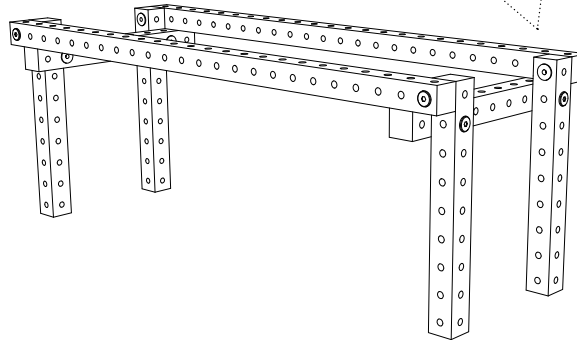
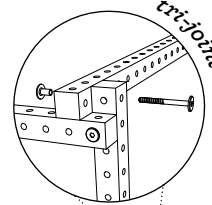
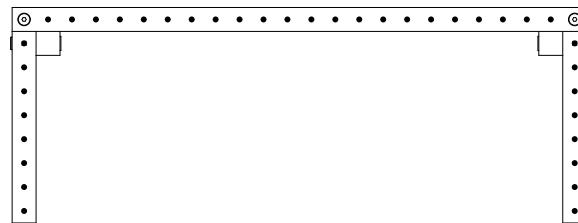


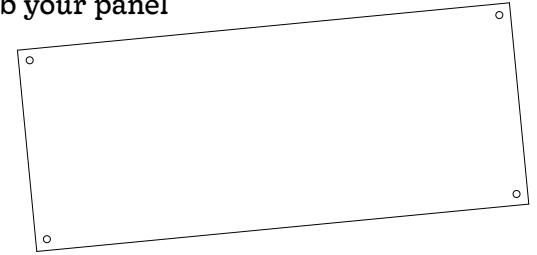
table profile



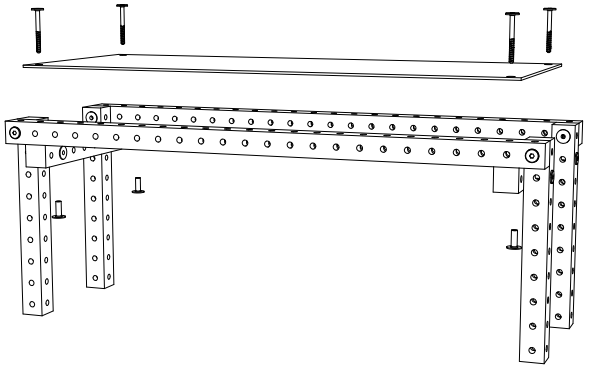
### Step 3

Add the Panels

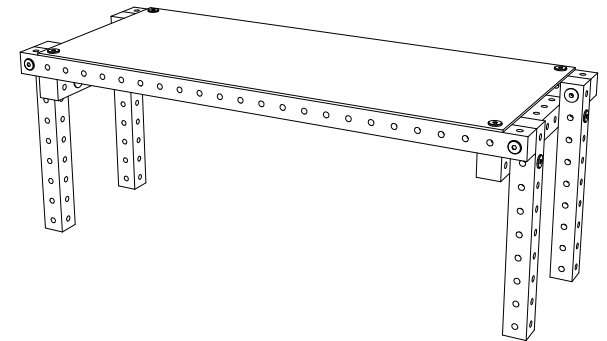
Grab your panel



Secure panel to table top by passing the bolt through the panel and rails below.



Repeat on all sides



### Step 4

Tighten Up

Your table is now complete. Go ahead, tighten down all the bolts and give yourself a high five!