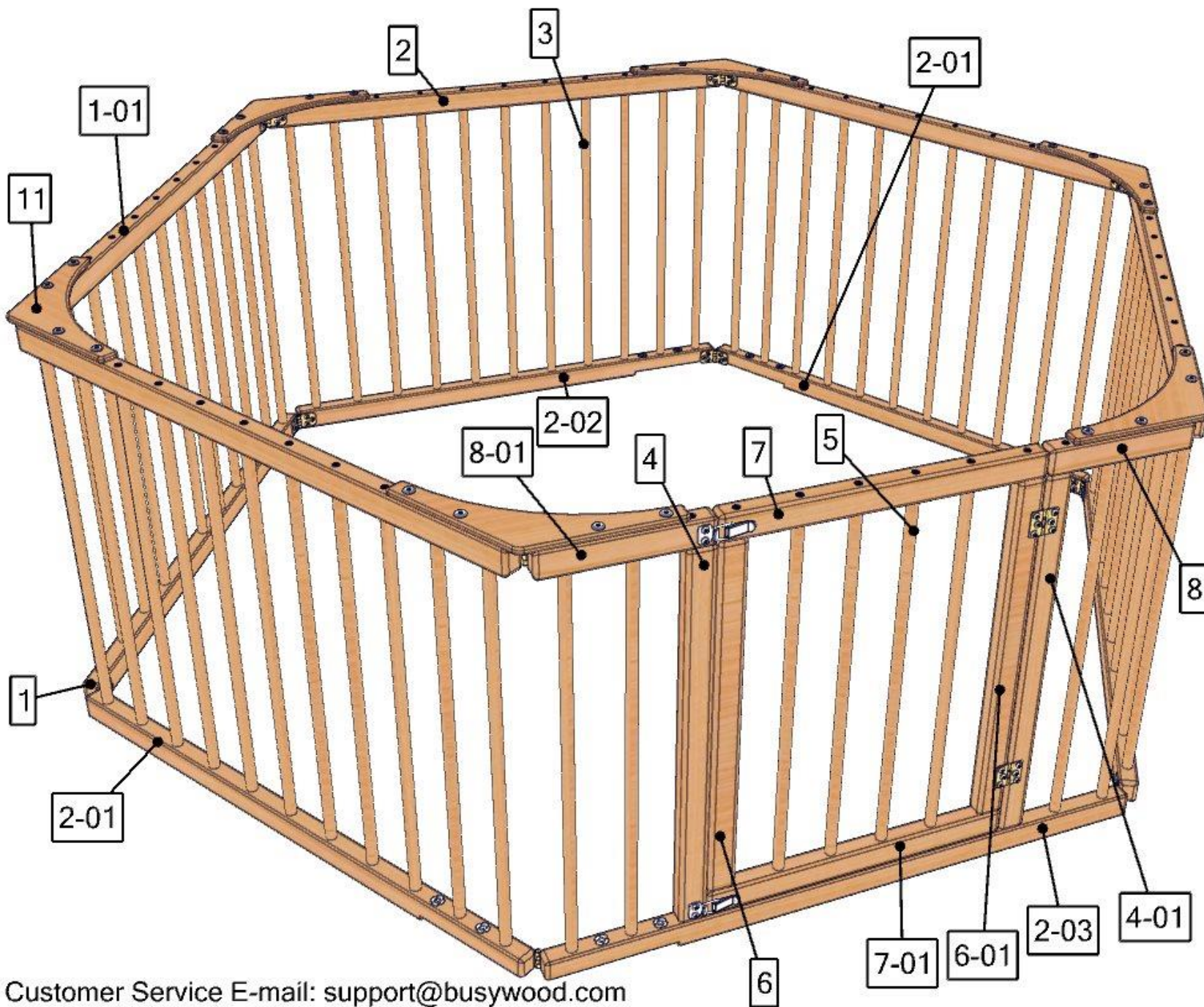
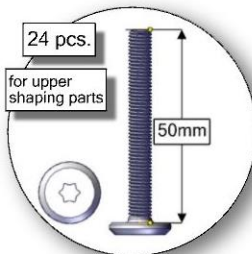
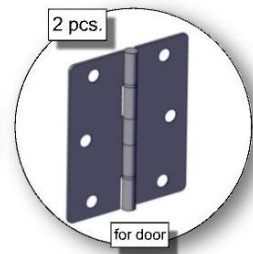
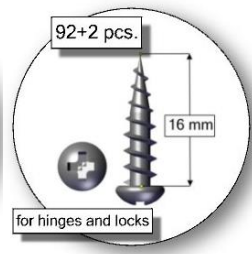
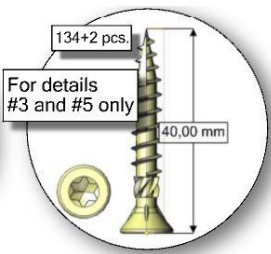
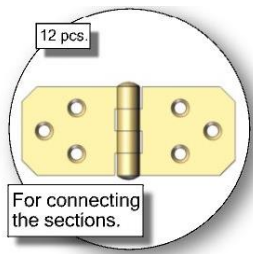
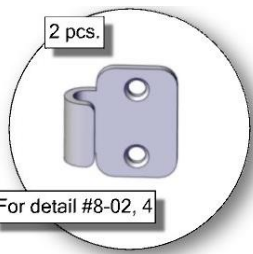
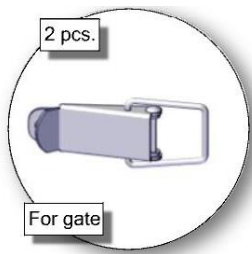


# Model 22 75x38

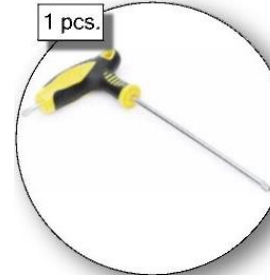
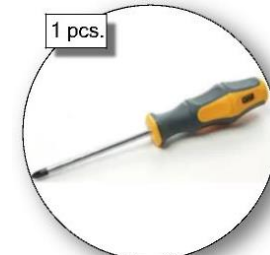
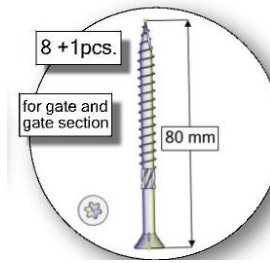
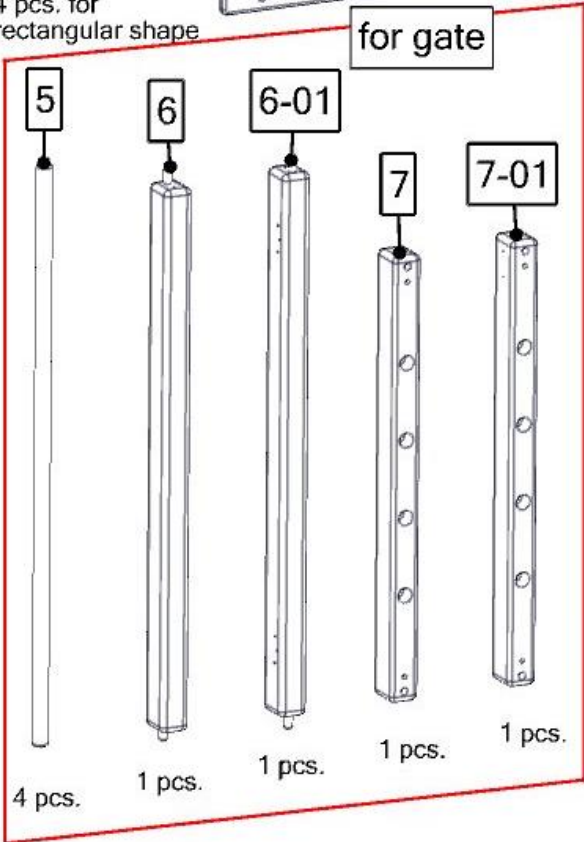
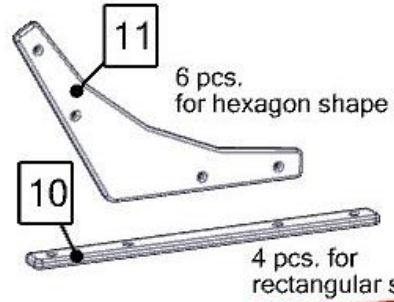
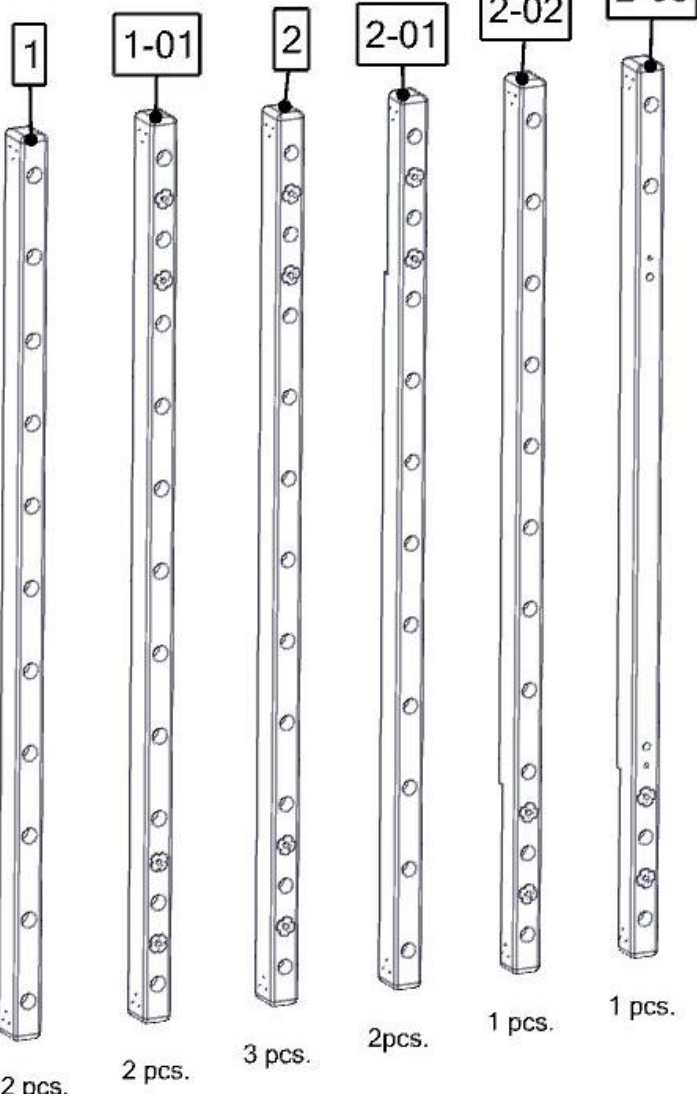
Before starting the assembly, please watch the instructional video:



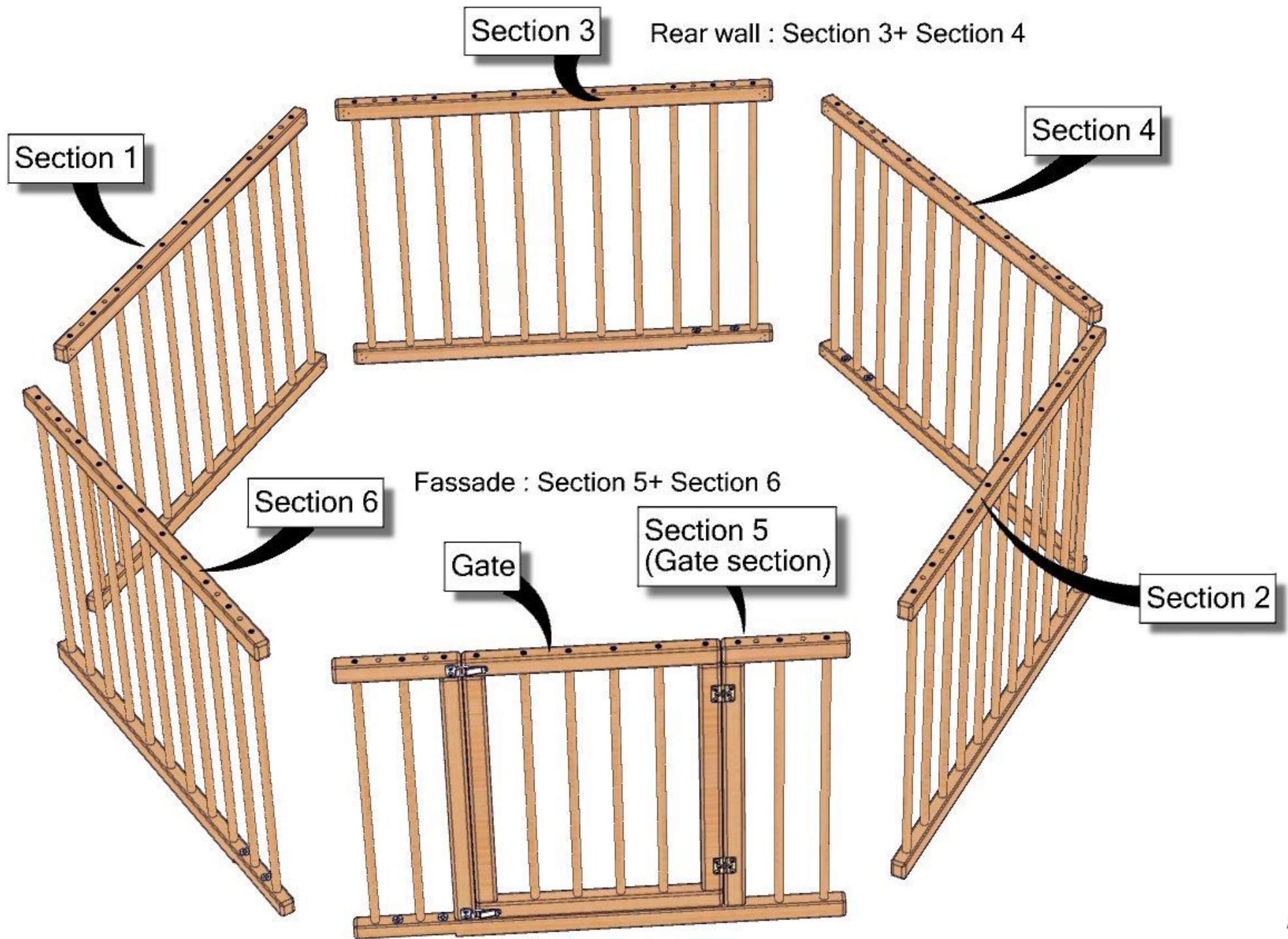
Customer Service E-mail: [support@busywood.com](mailto:support@busywood.com)



1 and 1-01 longest parts

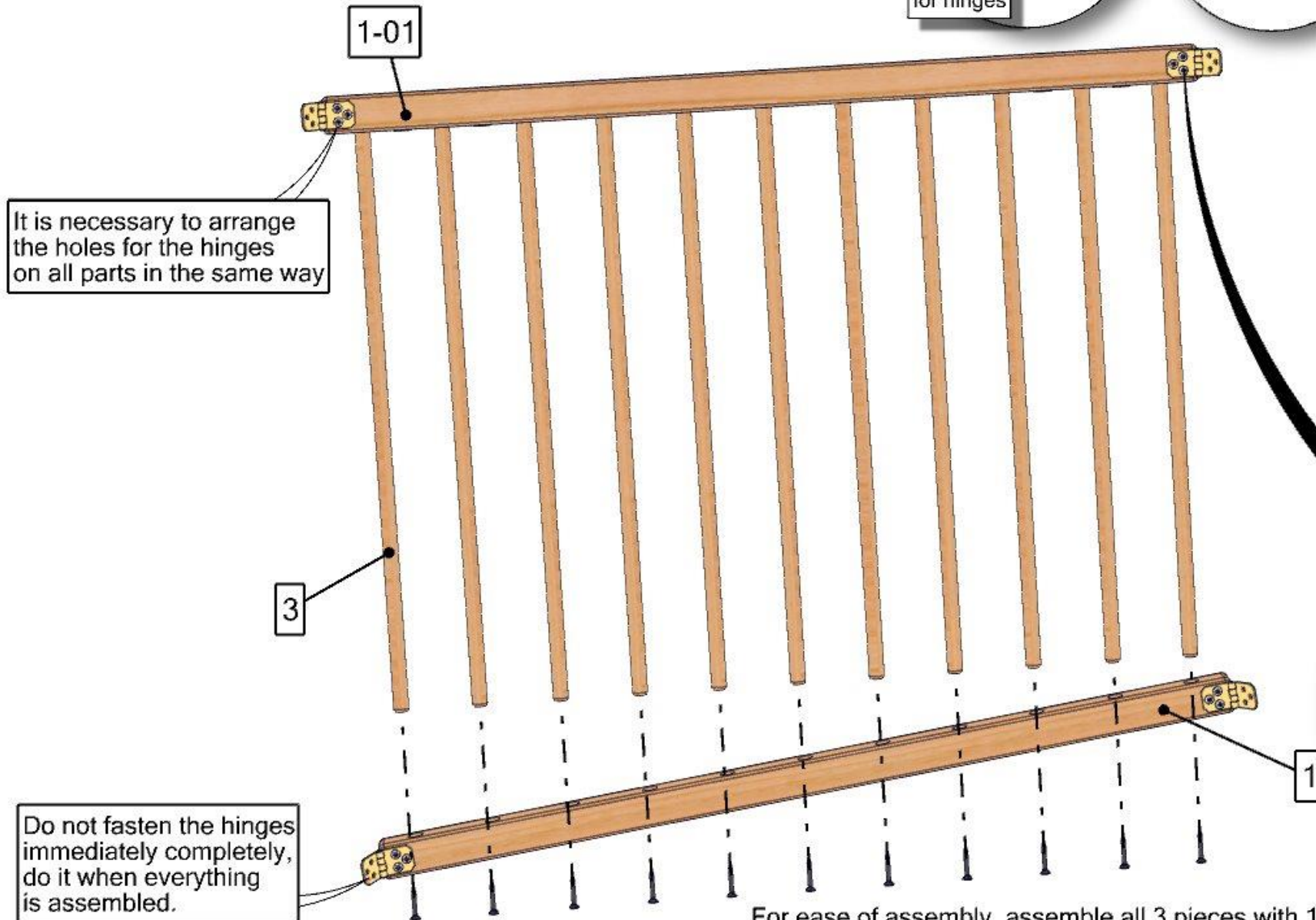
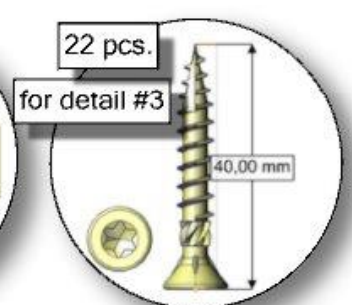
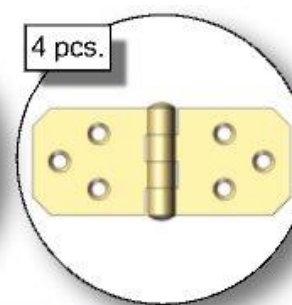
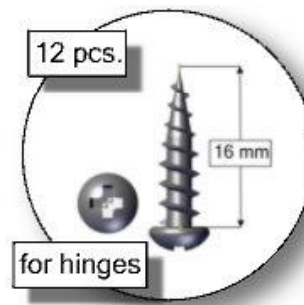


Total wooden parts: 96



# Assembly of the first section

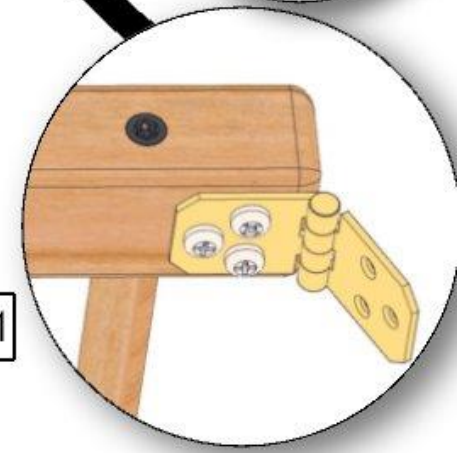
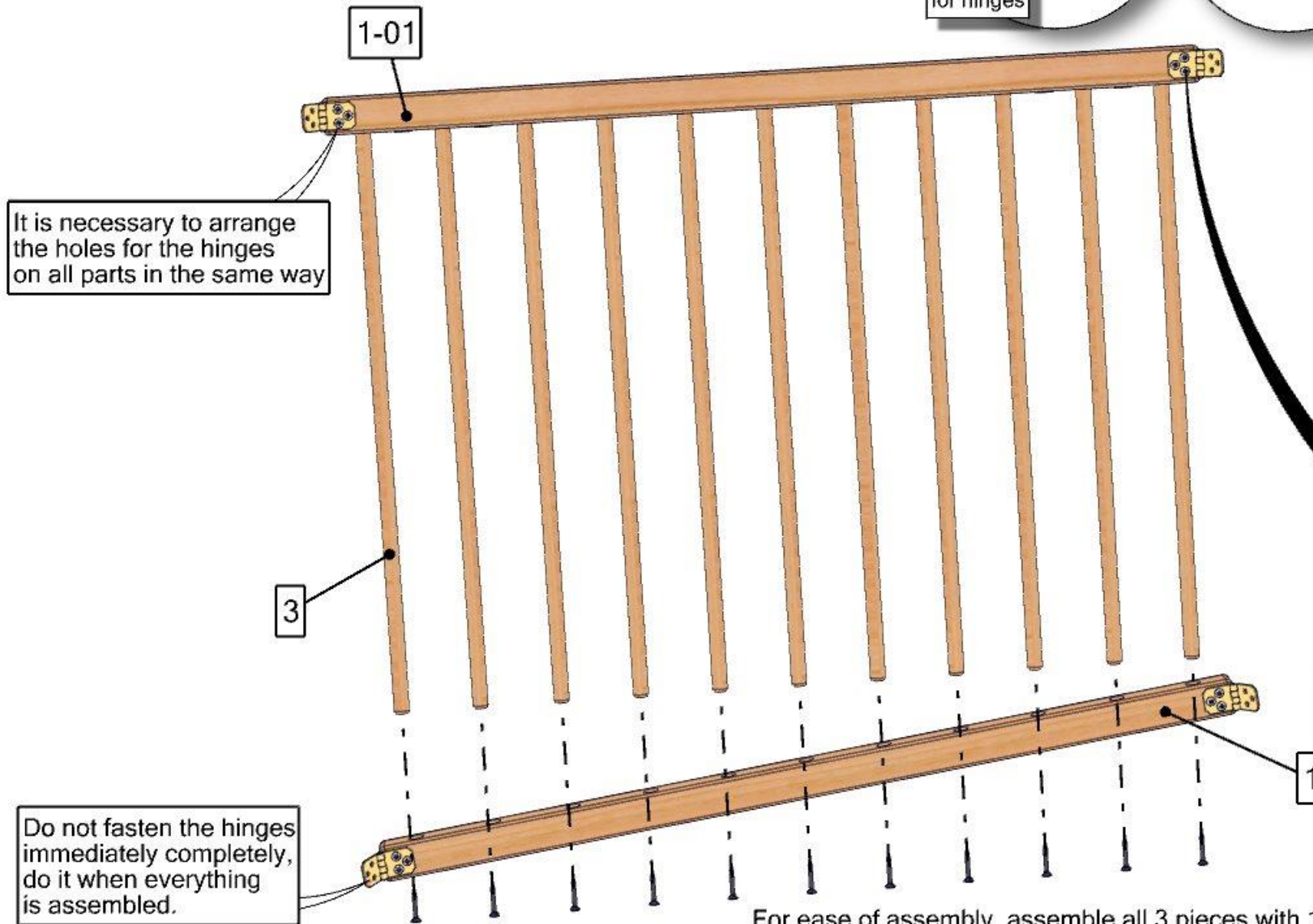
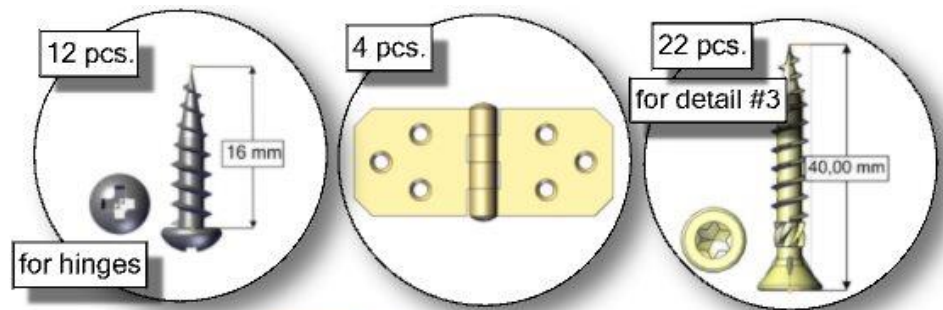
Start with the longest parts 1 and 1-01.



For ease of assembly, assemble all 3 pieces with 1-01, then attach piece 1 by starting assembly at a slight angle

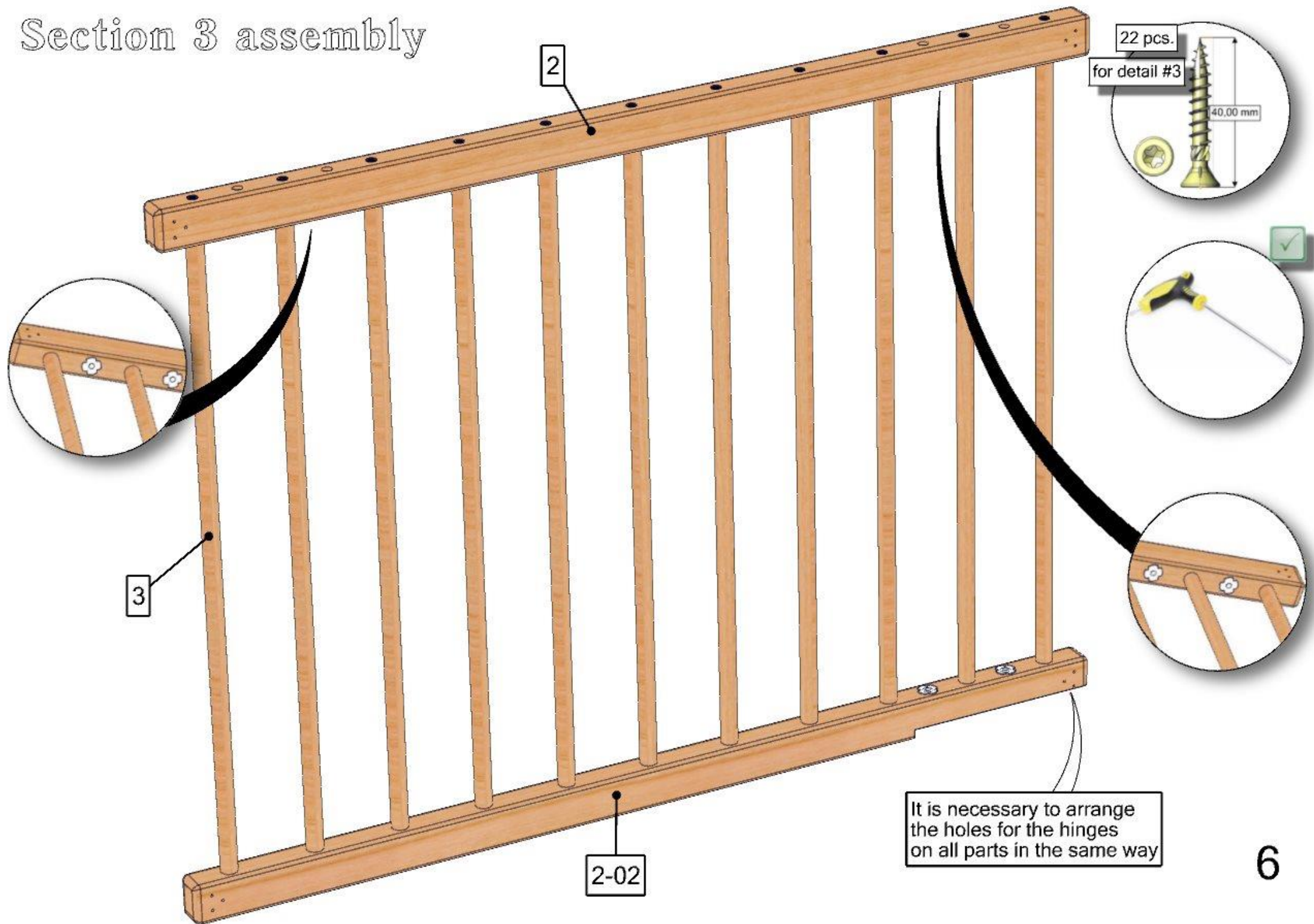
# Assembly of the second section

The second section is the same as the first.  
Start with the longest parts 1 and 1-01.

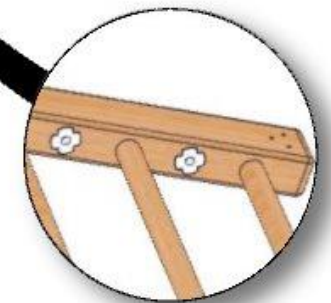
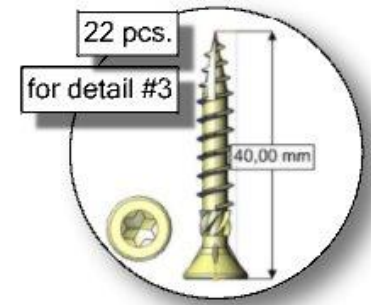
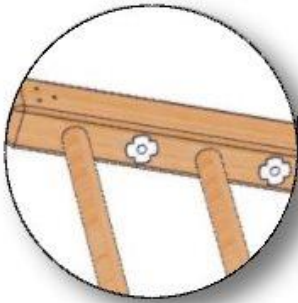
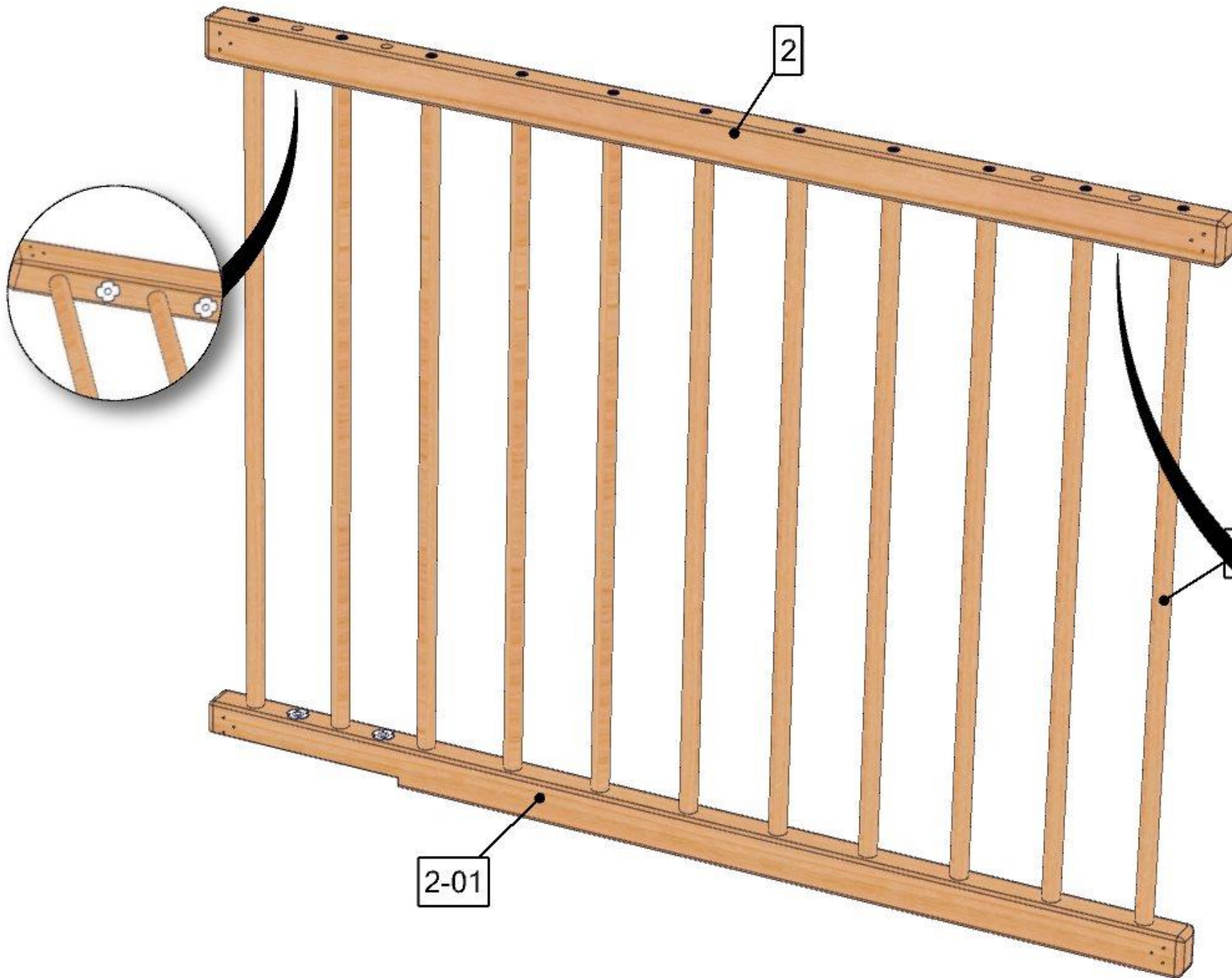


For ease of assembly, assemble all 3 pieces with 1-01, then attach piece 1 by starting assembly at a slight angle

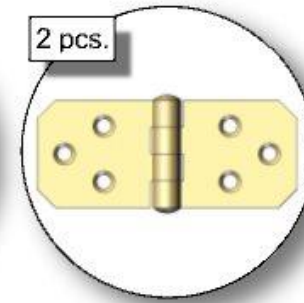
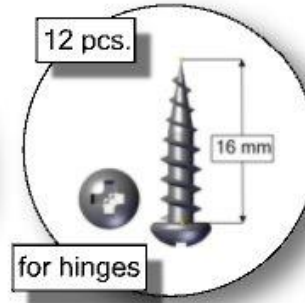
# Section 3 assembly



# Section 4 assembly



# Rear wall assembly



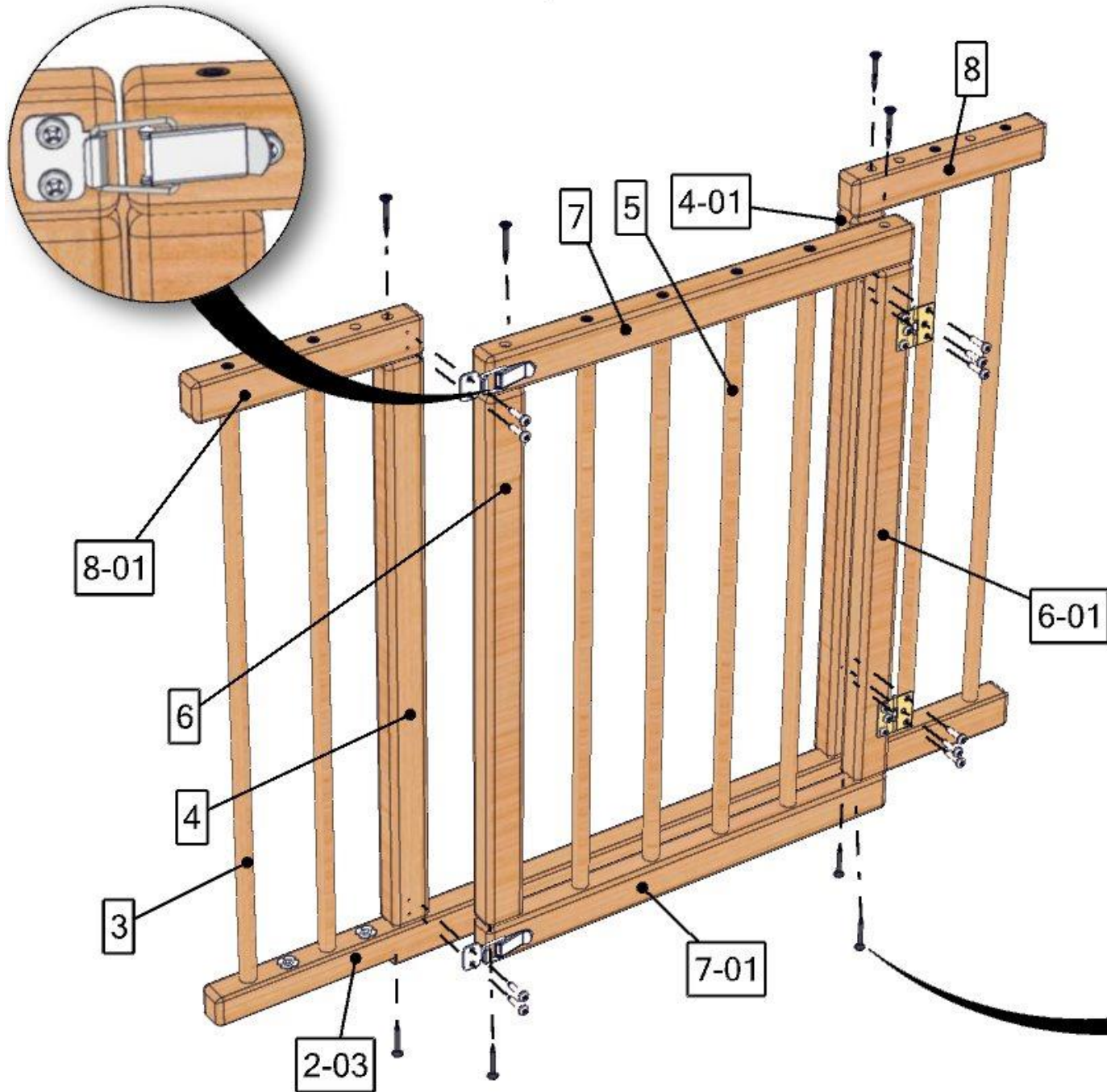
Section 3

Section 4





# Section 5 assembly



16 pcs. Use for detail #3 and #5

40.00 mm

2 pcs.

2 pcs.

32 pcs. for hinges and locks

16 mm

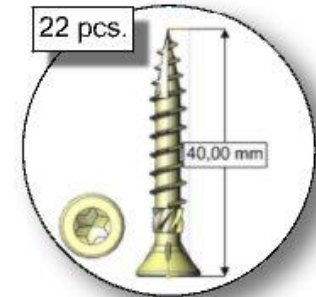
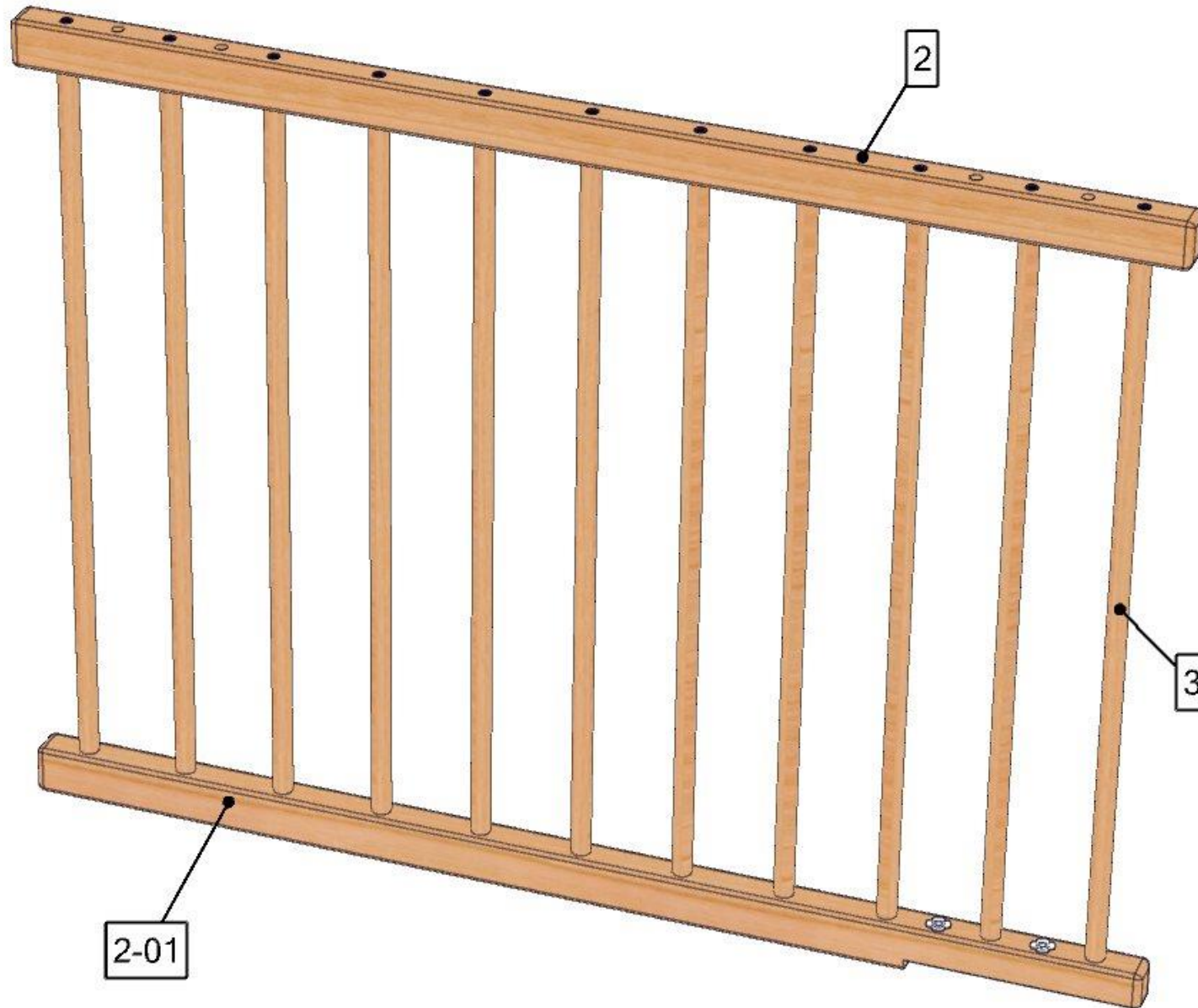
8 pcs. Use for gate and frame around

80 mm

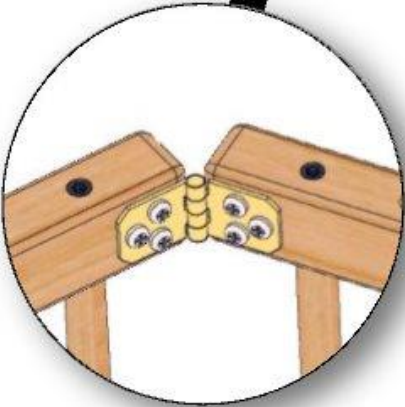
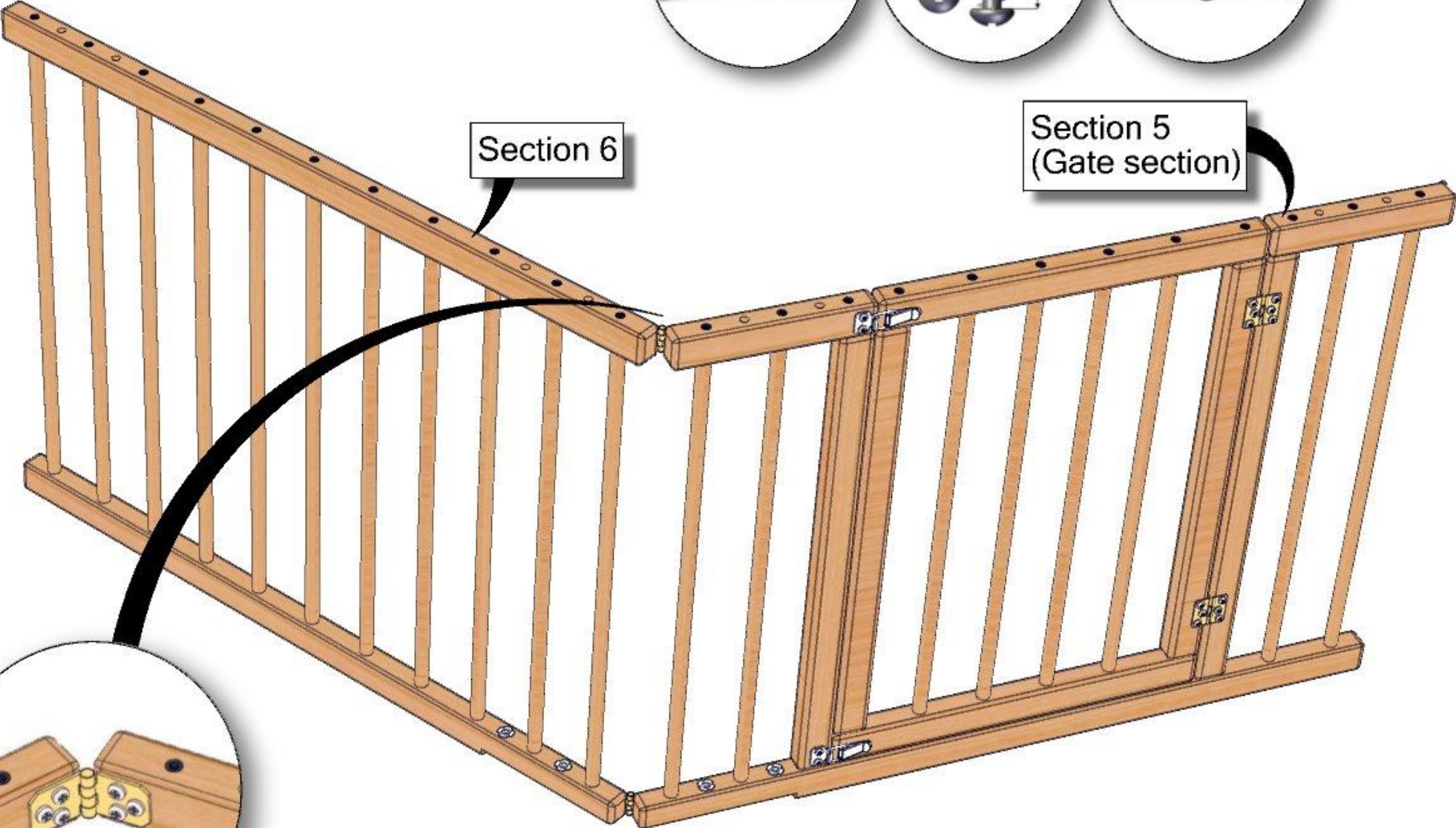
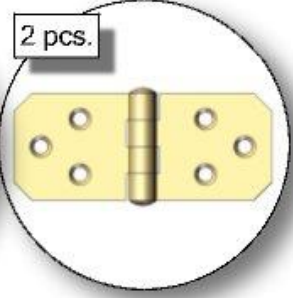
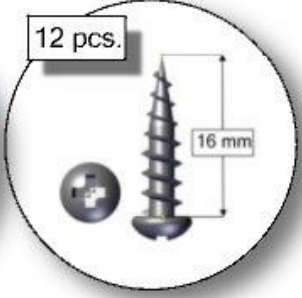
2 pcs.

This block contains circular callouts for hardware and tools. The first callout shows 16 screws (40.00 mm) and a washer, with a note 'Use for detail #3 and #5'. The second callout shows 2 hinges. The third callout shows a screwdriver with a green checkmark and 2 locks. The fourth callout shows a screwdriver with a green checkmark and 32 screws (16 mm) for hinges and locks. The fifth callout shows 8 screws (80 mm) and a note 'Use for gate and frame around'. The sixth callout shows 2 hinges.

# Section 6 assembly

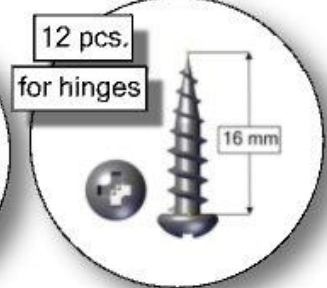
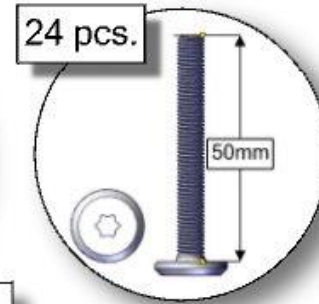
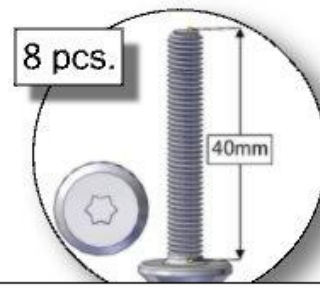


# Facade assembly



# Final assembly and shaping

Using parts 9, 10 and 11 assemble as you like.



Use only for parts 10 that are installed at the bottom, when assembling in a rectangular shape.

