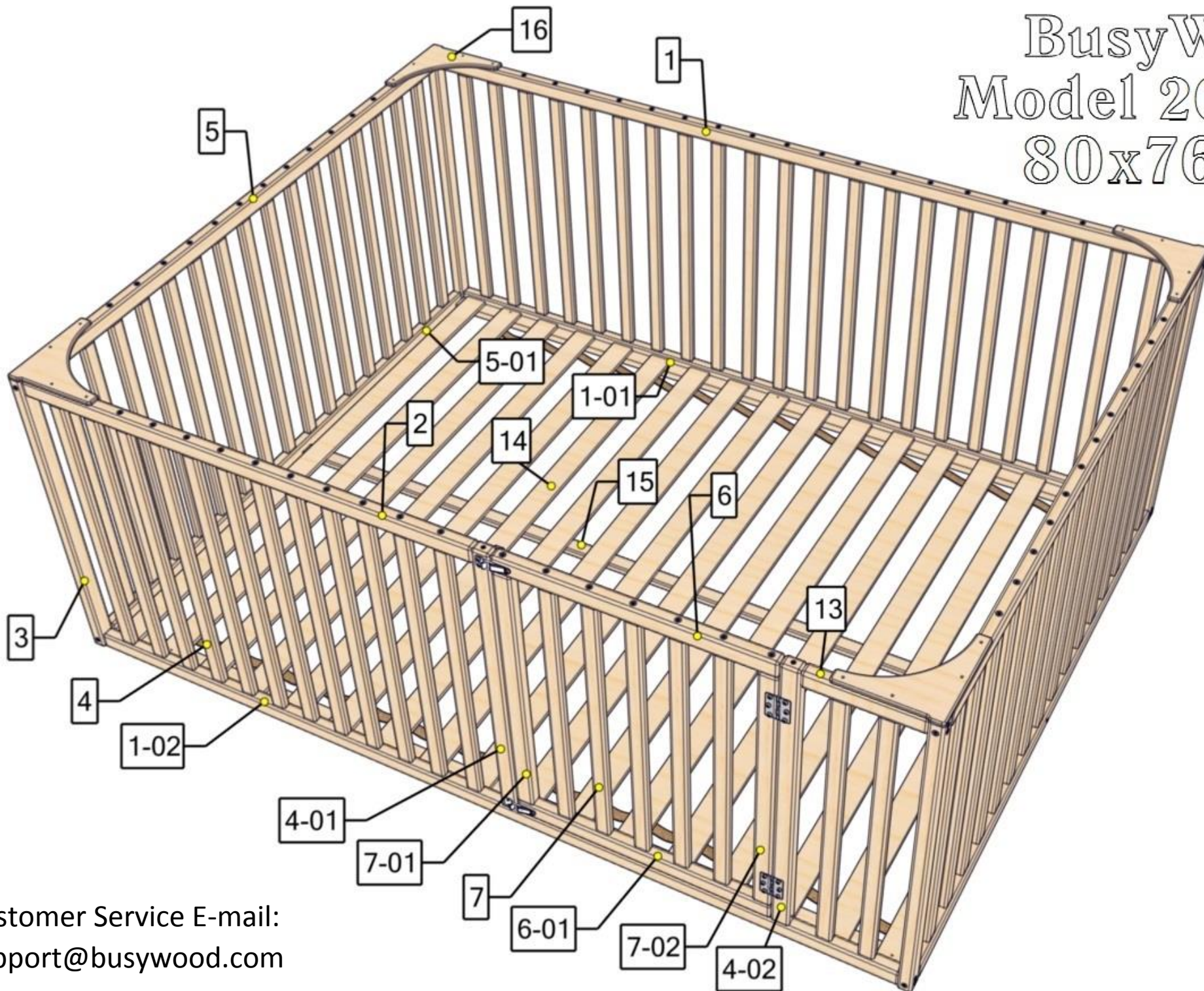


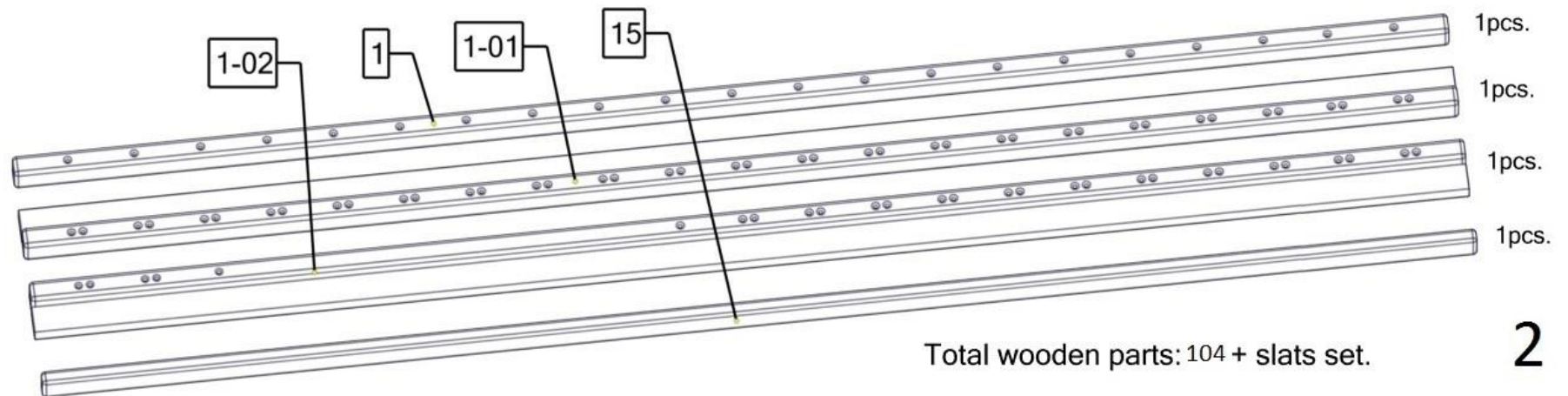
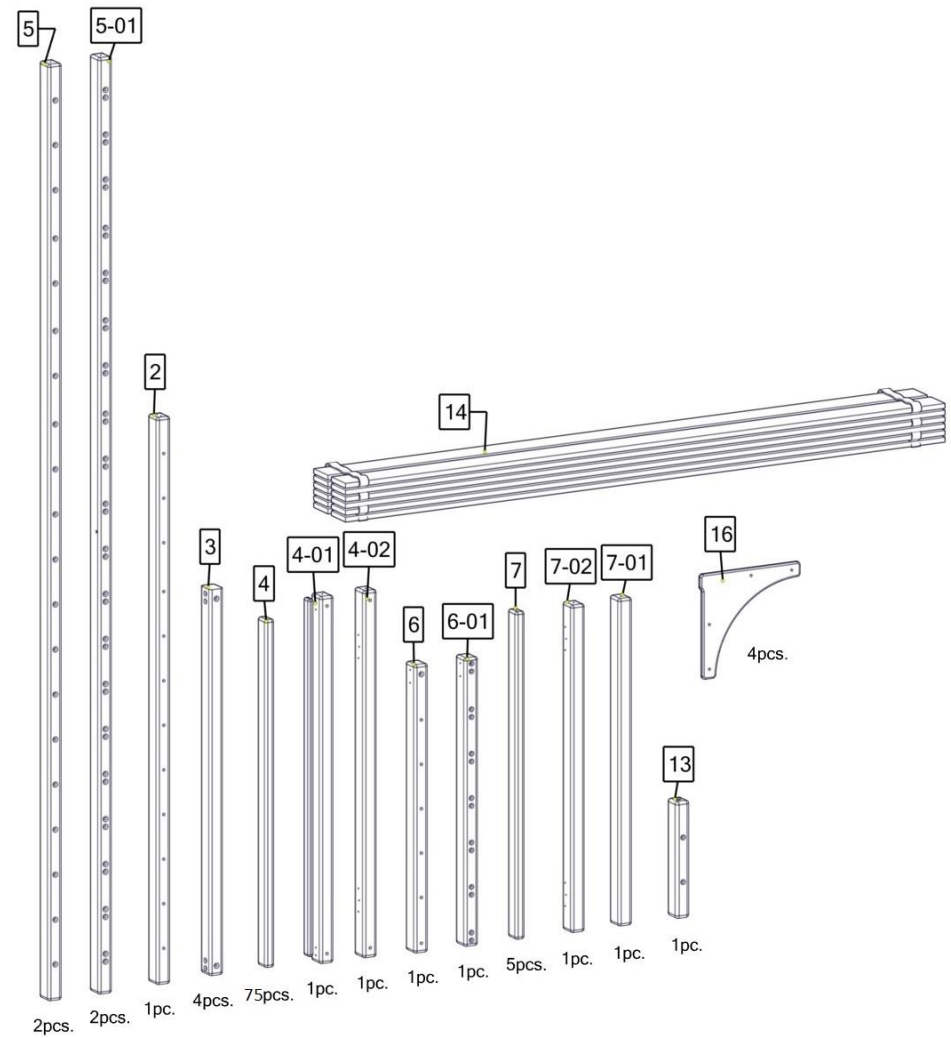
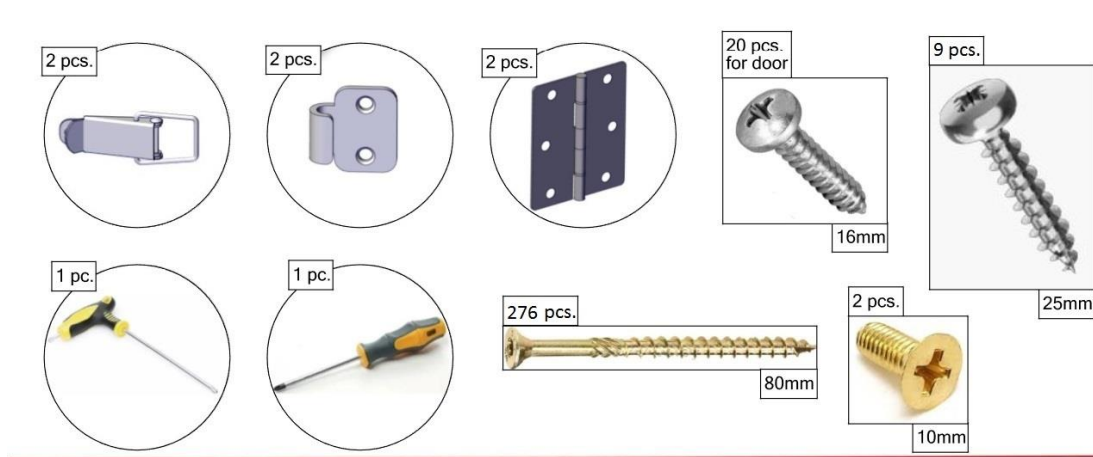
# BusyWood Model 20/6-03 80x76 Slats



Customer Service E-mail:  
[support@busywood.com](mailto:support@busywood.com)

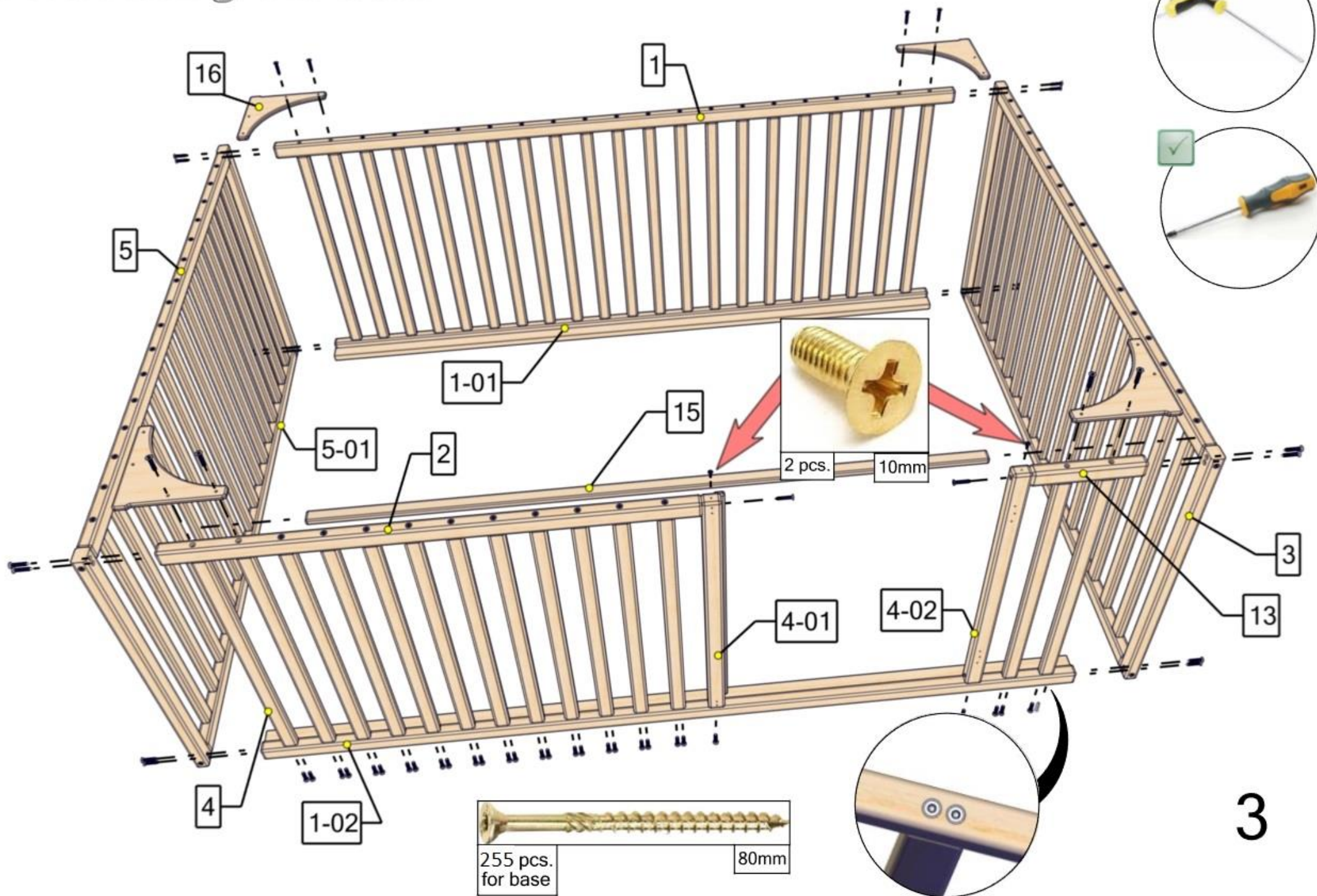
## Safety and Usage Information

- Watch Your Children during active play on the bed frame!
  - Meets The Safety Standards For Kids Furniture.
  - This Item Does Not Contain Any Dangerous Chemical Elements
  - Store in a dry place. Do not drop. Indoor use only.
- Our warranty does not cover replacement in the event of improper storage or use.
- Sold disassembled, assembly required. Tools included.
  - 2 years warranty.



Total wooden parts: 104 + slats set.

# Assembling the base



# Assembling the door

