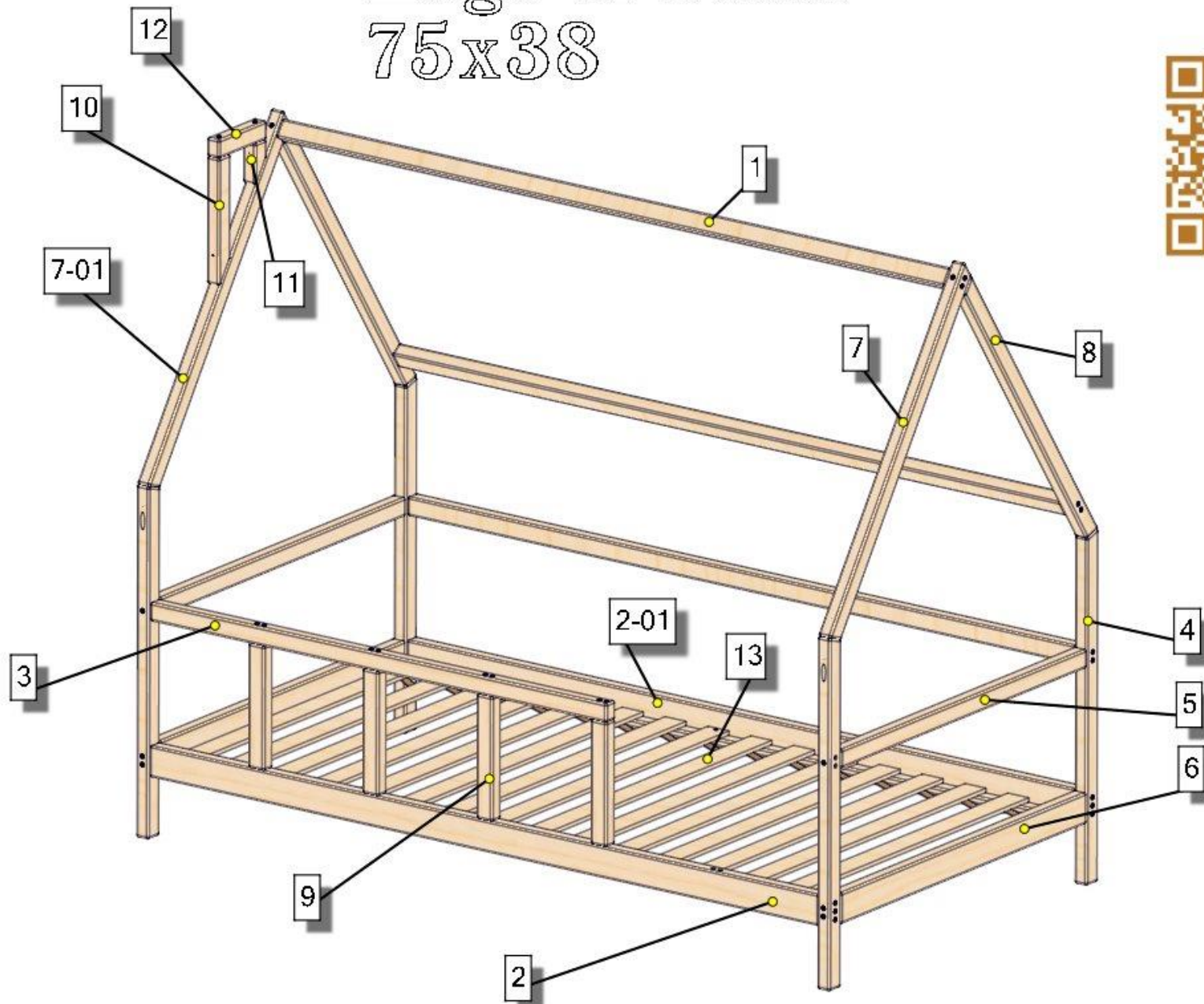
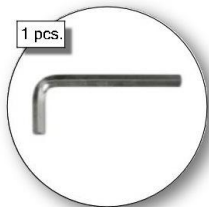
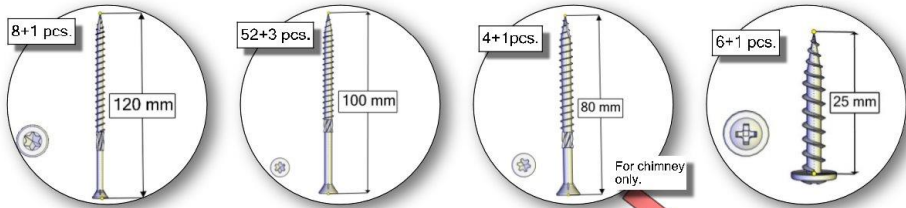


Busy Wood Model 1

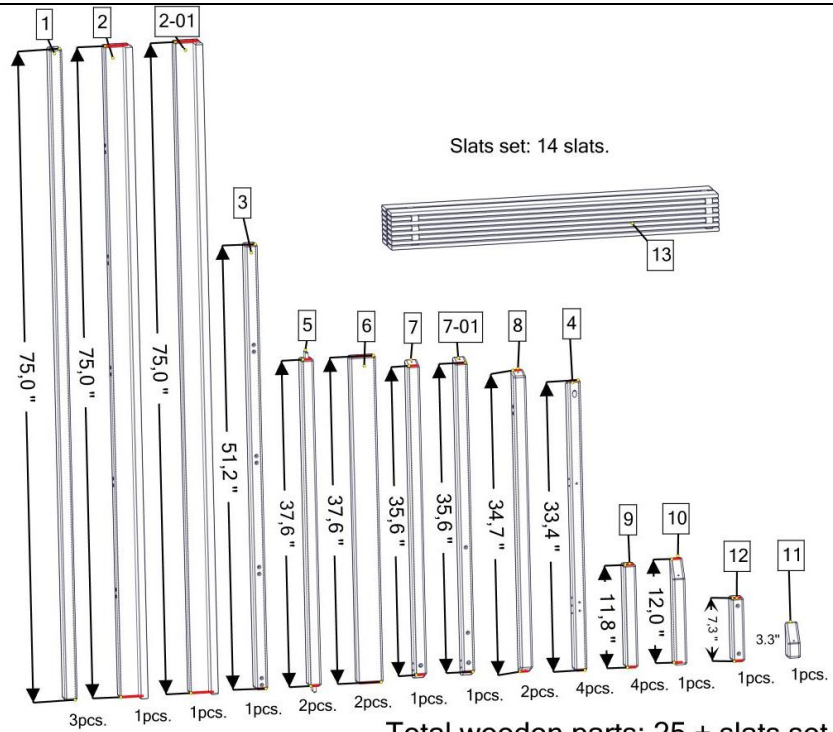
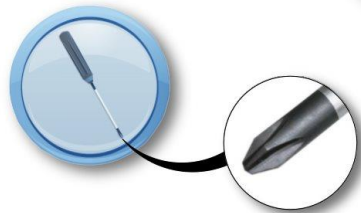
Legs & Slats

75x38

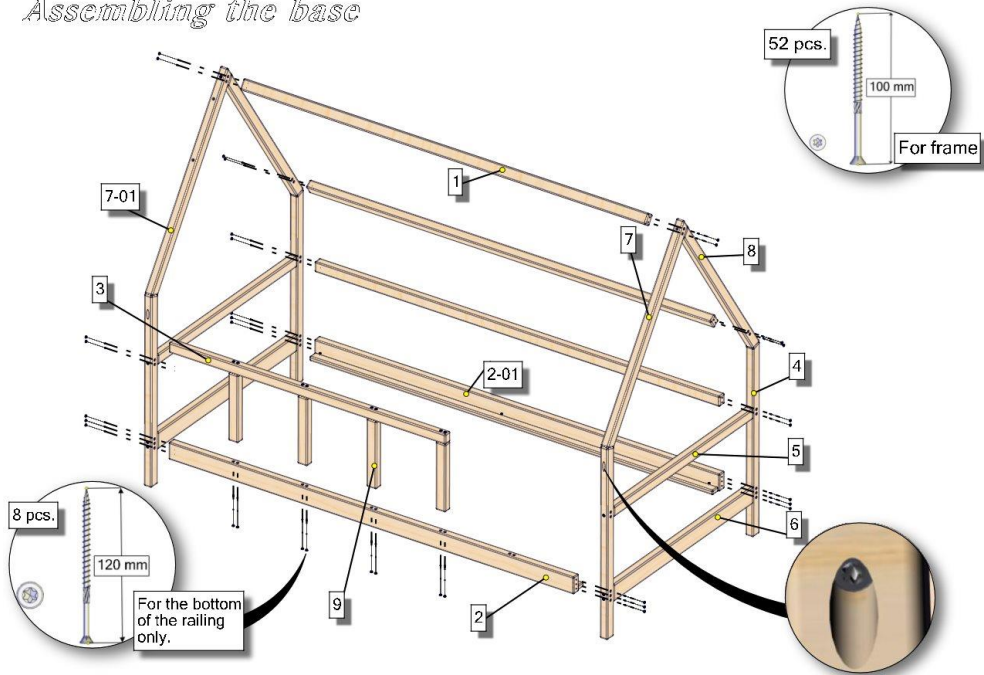




You need:



Assembling the base



Final assembly

