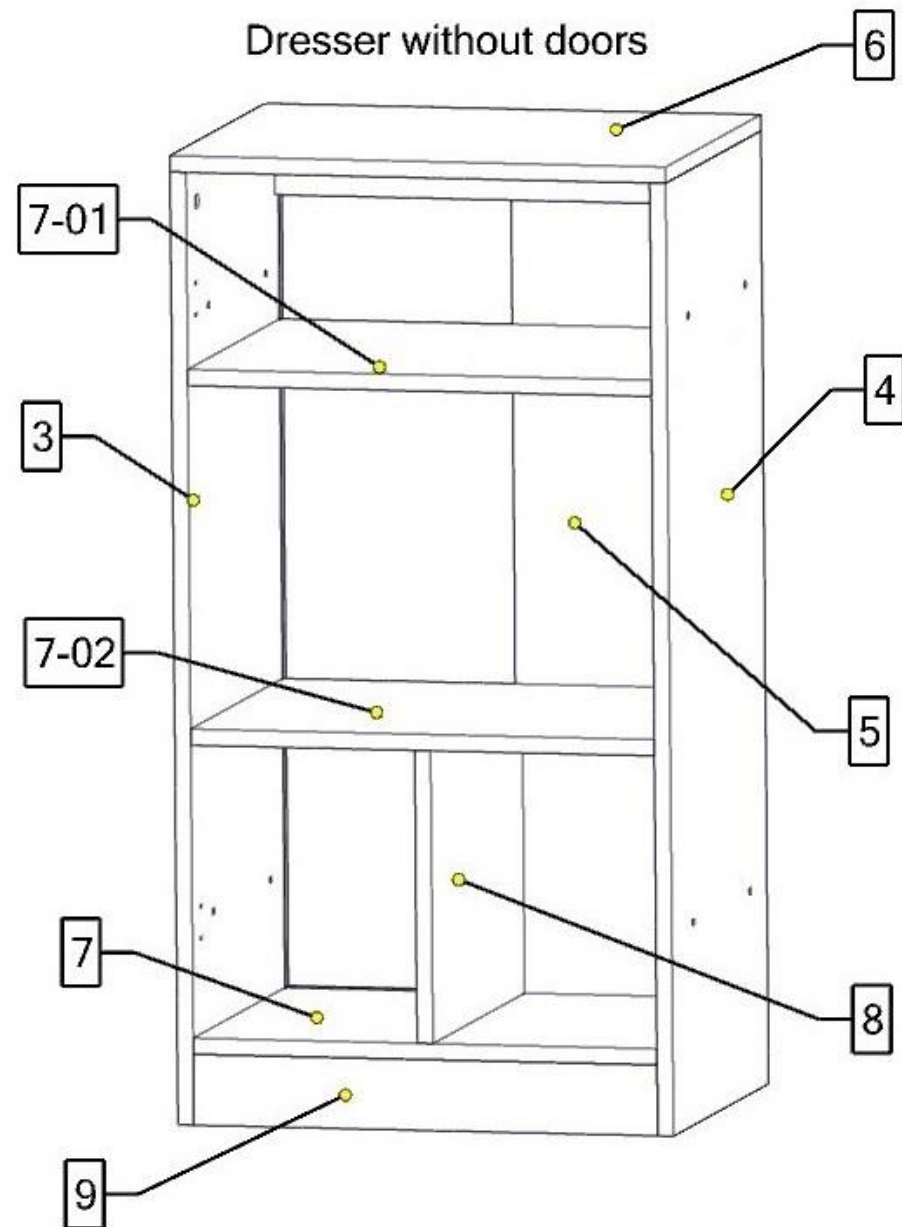
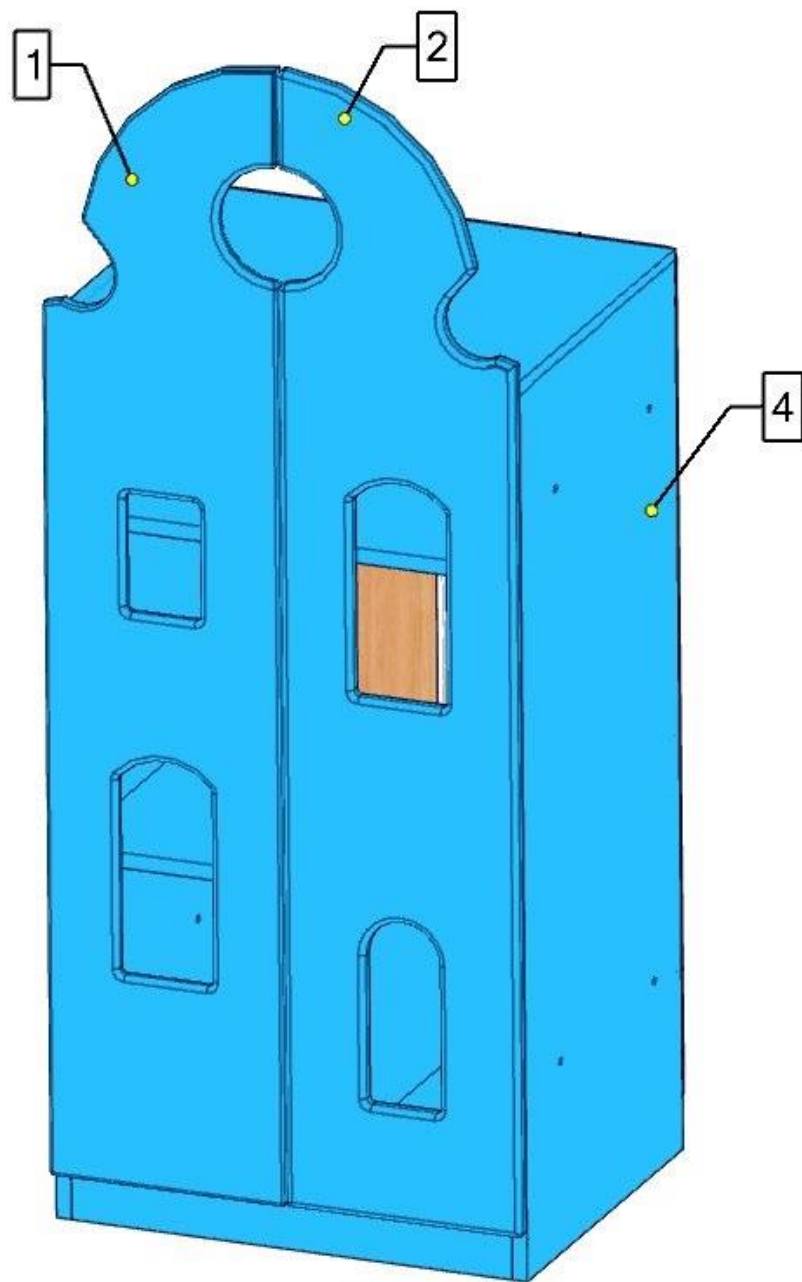
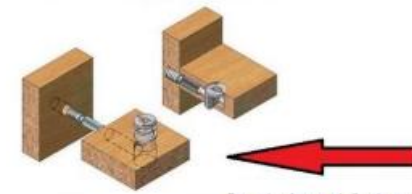
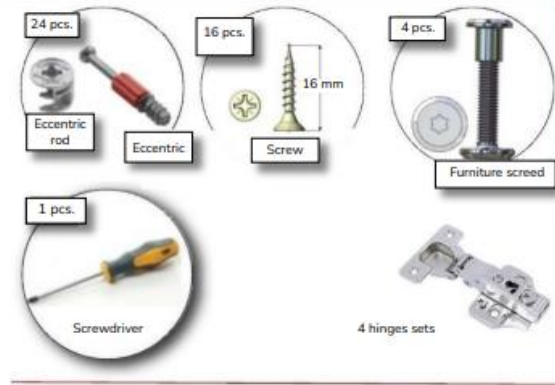
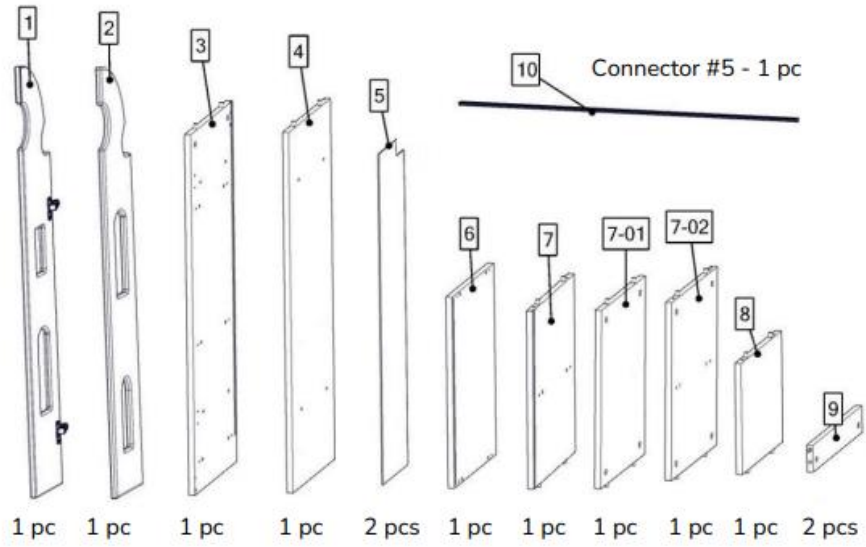


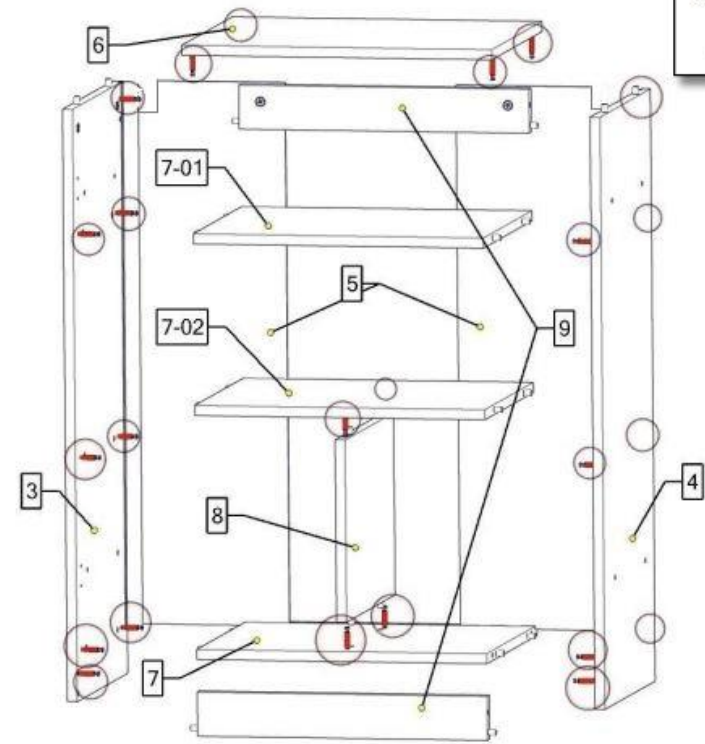
Kids Dresser "City" Size S



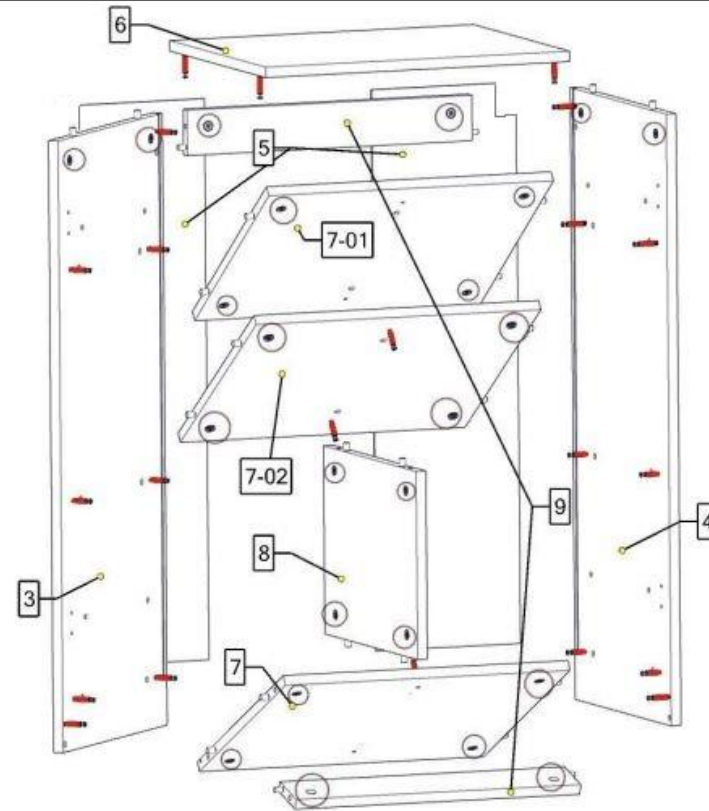
Total parts: 14 pcs



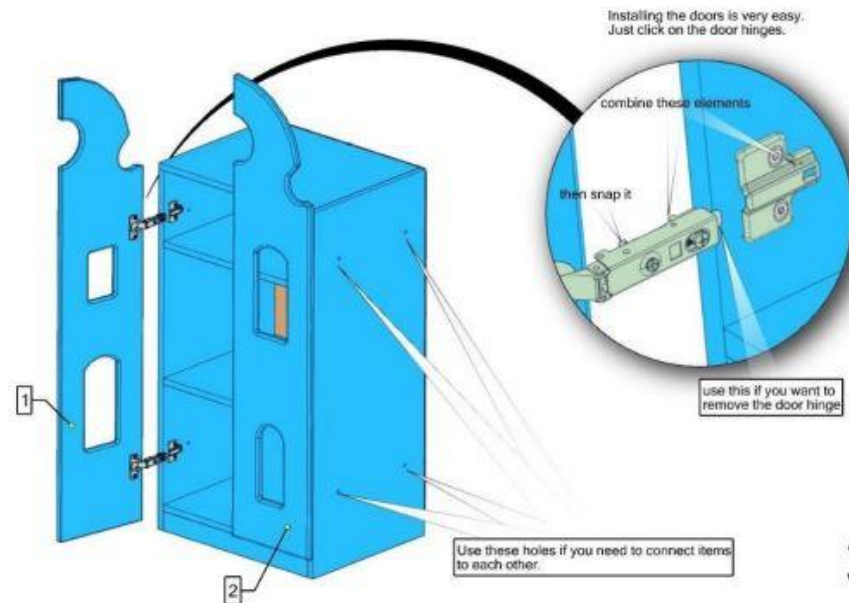
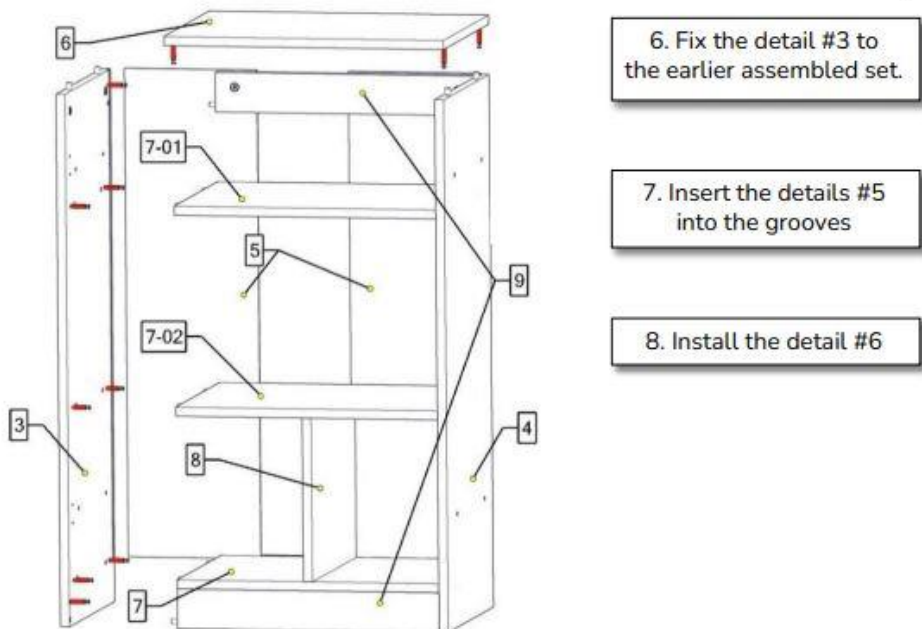
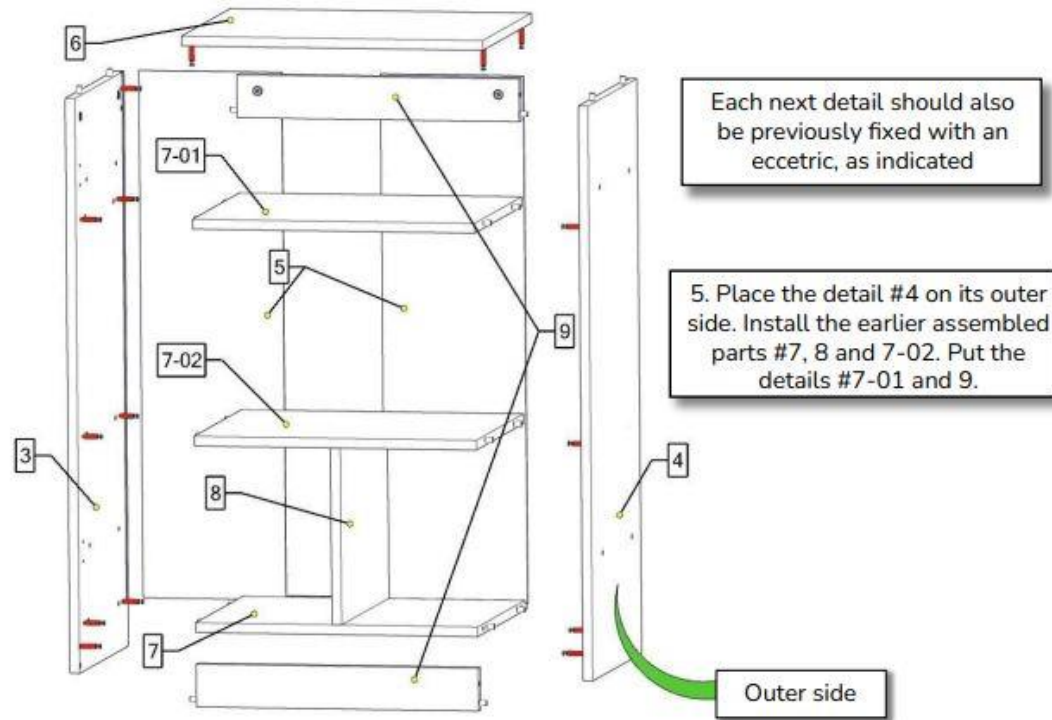
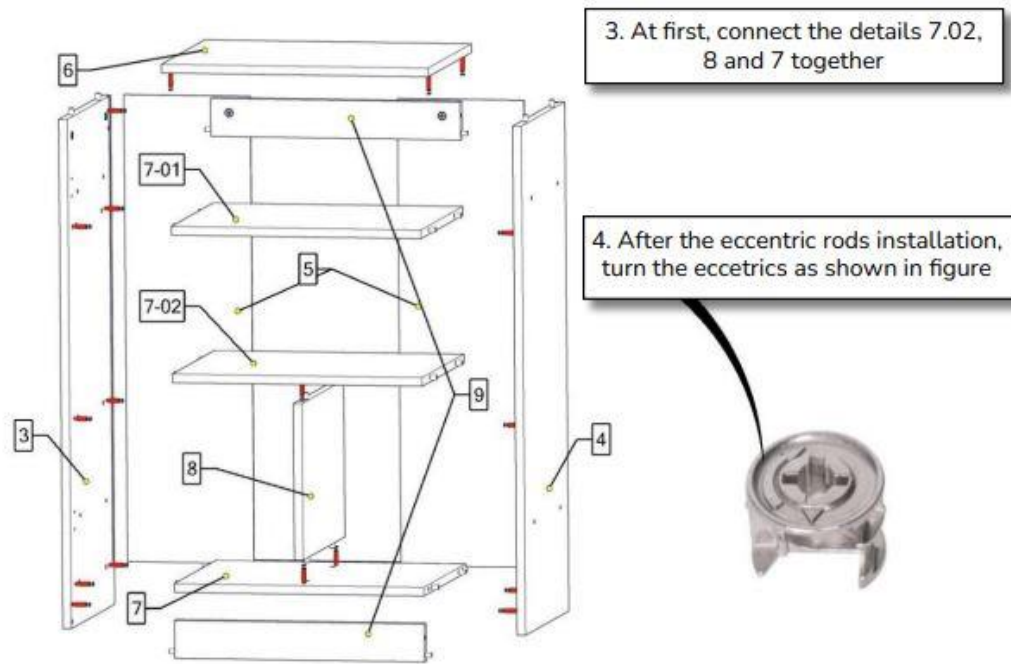
Example of eccentric fixation to the eccentric rod



1. Screw in the eccentric rods to the details in the mentioned points.




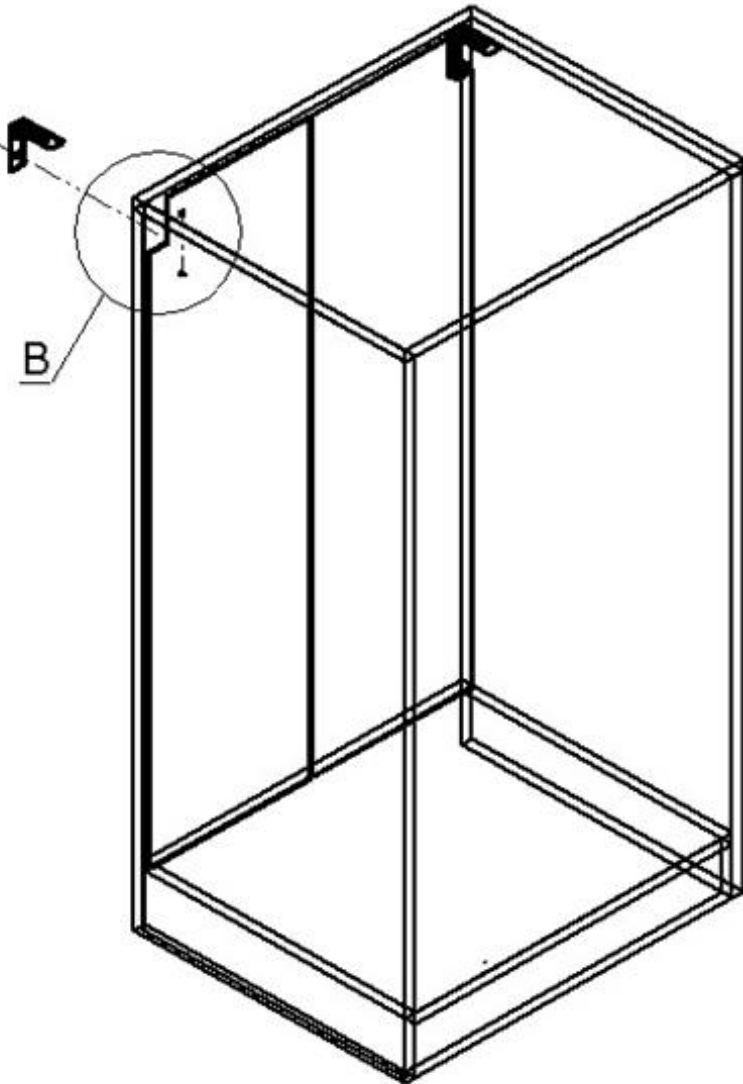
2. Insert the eccentrics in the mentioned points of the details



Wall mounting (if necessary)

Dowel in drywall 

Dowel in concrete, brick, gas block 



B


Self-tapping screw 4x16

