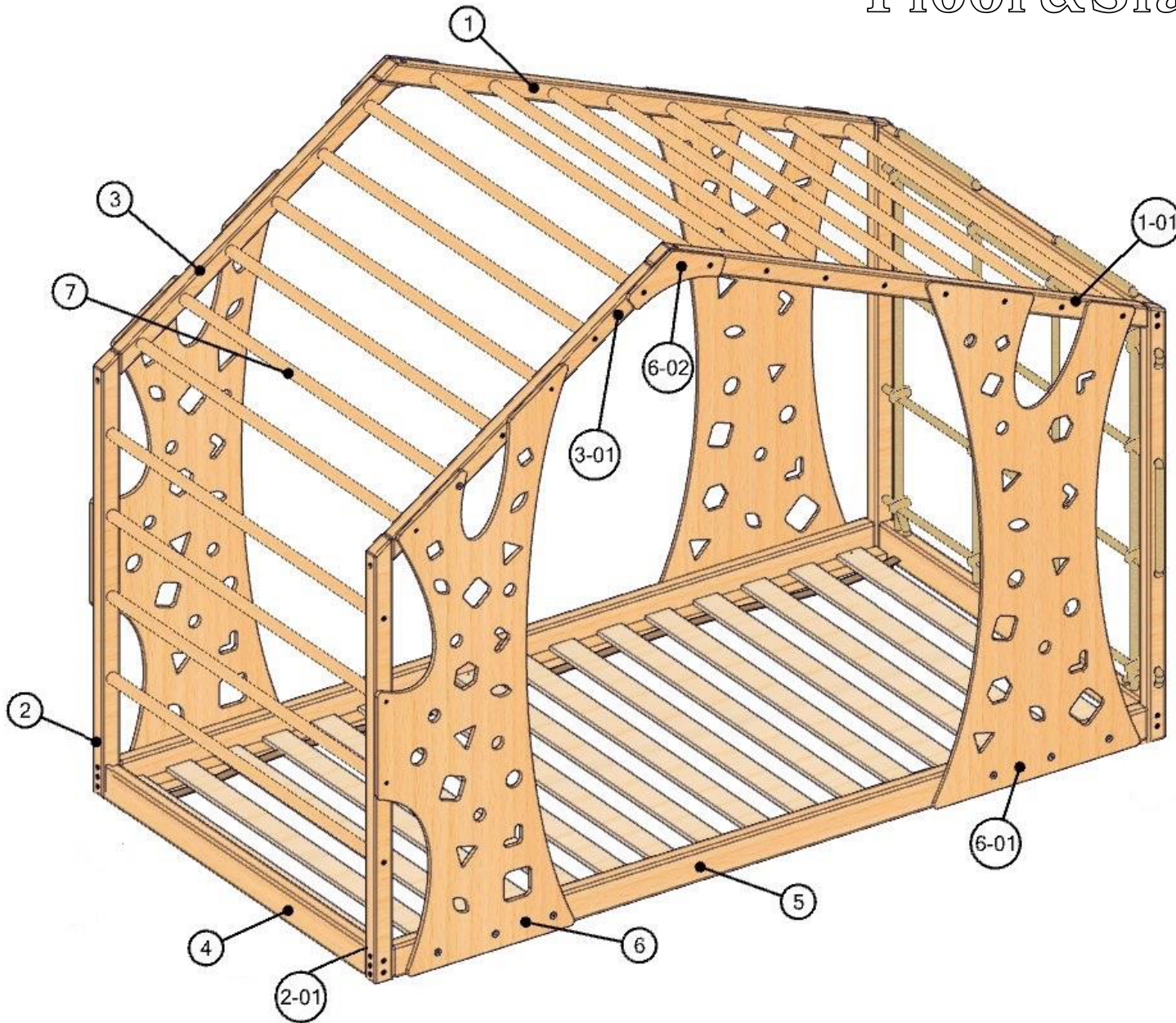
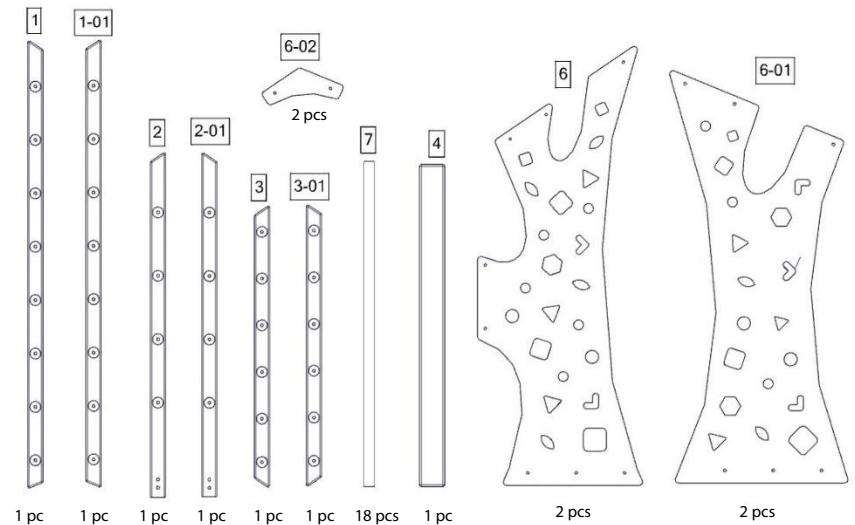
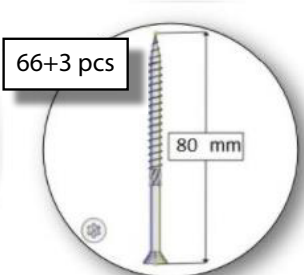


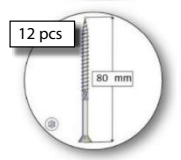
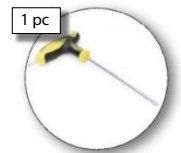
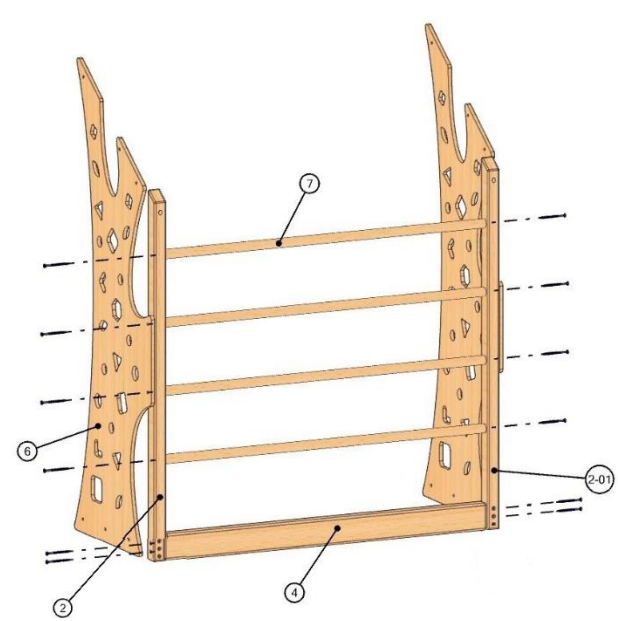
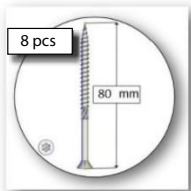
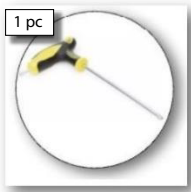
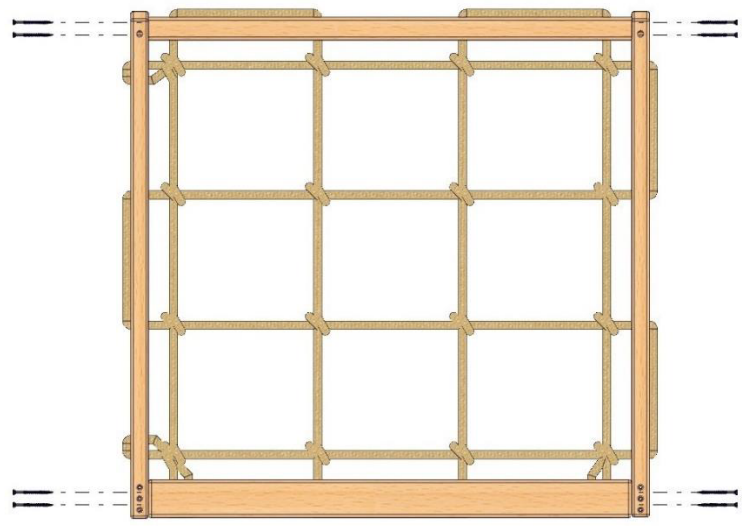
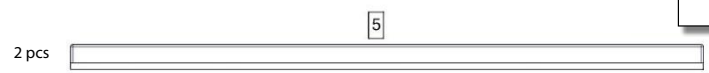
# Monkey Bed

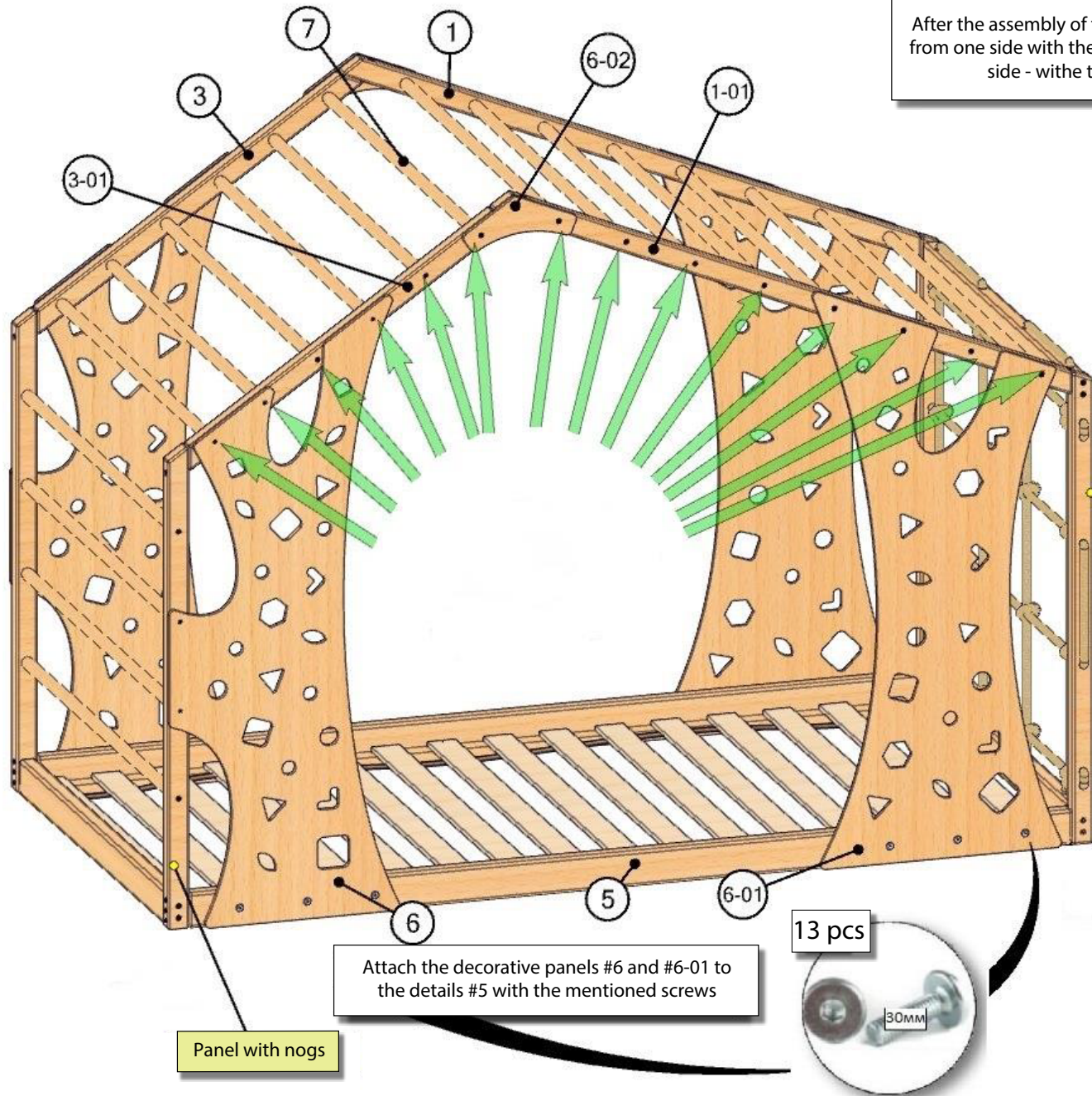
## Floor&Slats 75x38



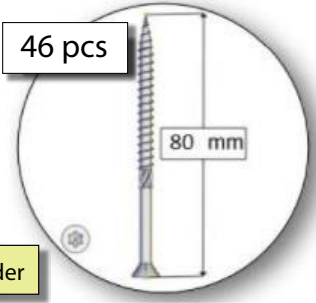
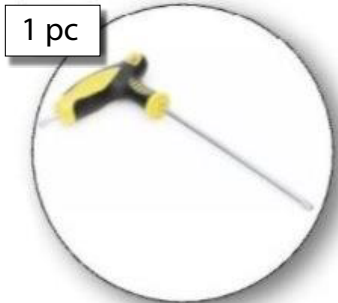


- Total parts: 33 pcs  
+ panel with rope ladder  
+ set of slats

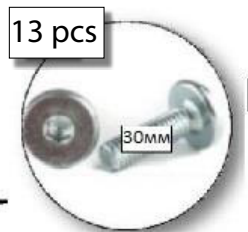




After the assembly of the panels with nogs and rope ladder, attach them from one side with the details #3, 1 and 5, 6-01, 6-02 and 7. From another side - with the details #3-01, 1-01, 5, 6-01, 6-02 and 7.



Panel with rope ladder



Attach the decorative panels #6 and #6-01 to the details #5 with the mentioned screws

Panel with nogs