



# OLDE BRICK

## LIGHTING



INSPECTED BY:	INSTALLATION INSTRUCTIONS	
	FLUSH / SEMI-FLUSH	
UL LISTED	120V & 240V RATED	1-YEAR WARRANTY

*Transform spaces. Illuminate experiences.*

---

HELPFUL TOOLS:

---

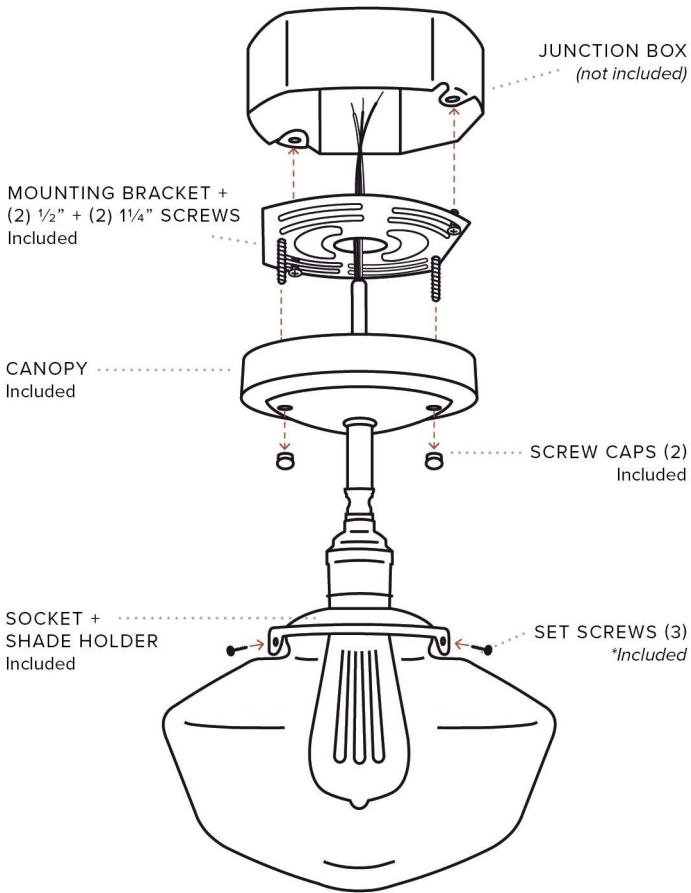
measuring tape		philips + flat head screwdrivers	
pliers	wire cutters / strippers		wire nuts

- 1 CONNECT** Make the appropriate electrical connections according to code requirements. Using wire nuts, connect wiring to junction box with black wire to house hot wire (usually black or red), white to house neutral (usually white) and green to ground if available.
- 2 MOUNT** Run the two longer screws through the mounting bracket so that the threaded side of the screws are facing away from the ceiling. Use the two shorter screws to mount the bracket to the junction box. Hold canopy to mounting bracket and align the longer screws to the canopy holes. Use the 2 decorative screw caps to fasten the canopy to the mounting bracket.
- 3 SHADE + BULB** If there is a shade with your fixture, loosen the three set screws on the shade holder. Set the shade into place and re-tighten the screws. **Do not over tighten or use tools, this should be done by hand.** Add the appropriate max wattage bulb to the socket and bask in the glow of your new light.

If your fixture has a switch, it is a functional switch. It will turn off/ on your light fixture but it can be left on and controlled by your light switch or dimmer.



Please use extreme caution and consult a licensed electrician or code professional before starting any project involving electricity. To avoid injury, be sure to shut off the power to the components being worked on. It is the buyer's responsibility to verify that our fixtures will be compliant with local, state, and country electrical and code requirements.



*\*Features vary by model.*



# THANK YOU

*(no seriously!)*

We're so honored that you chose our lighting to be a part of your space. There's a lot of choices out there but you picked us and that seriously makes our day.

We hope your fixture brings warmth and light to illuminate memorable moments.

*-xoxo*