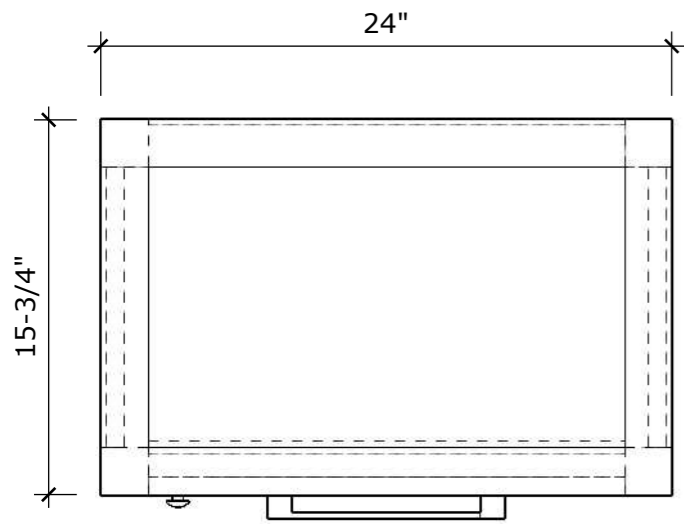
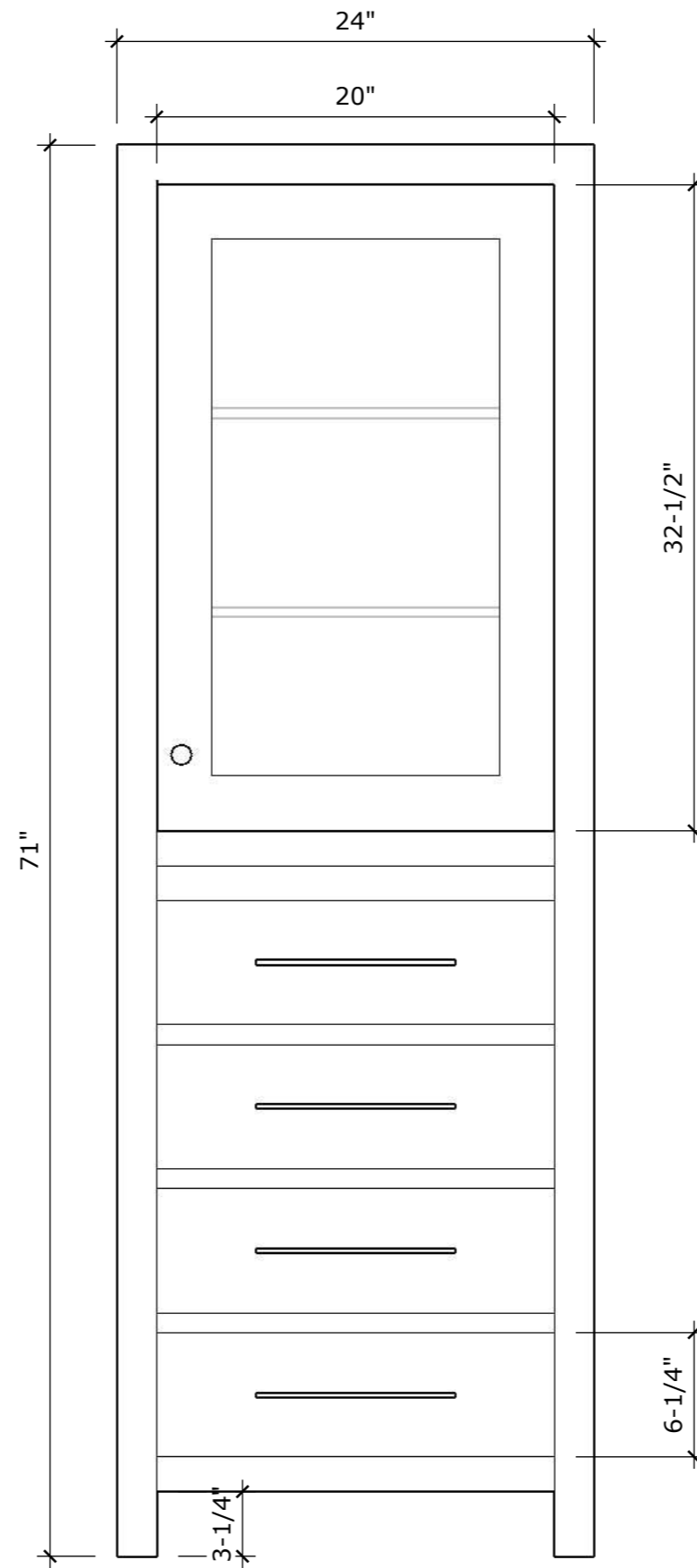




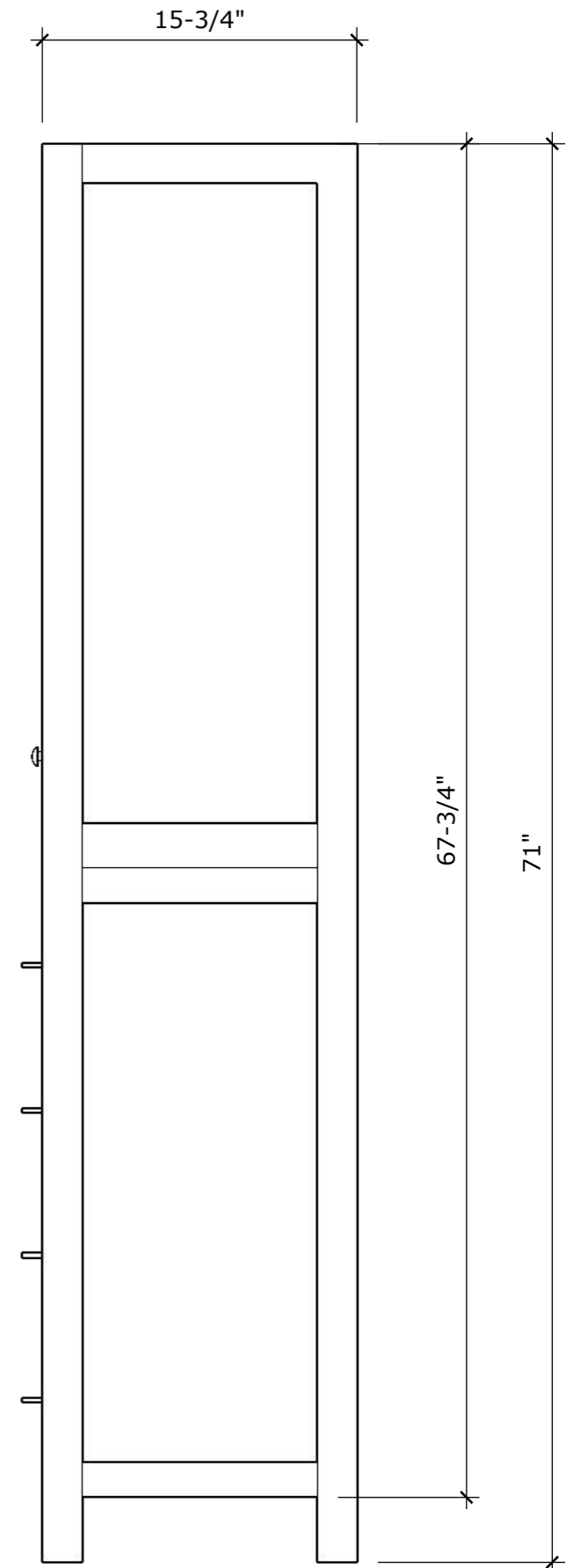
PERSPECTIVE



PLAN



FRONT ELEVATION



SIDE ELEVATION

MODEL NAME: SC 24-71