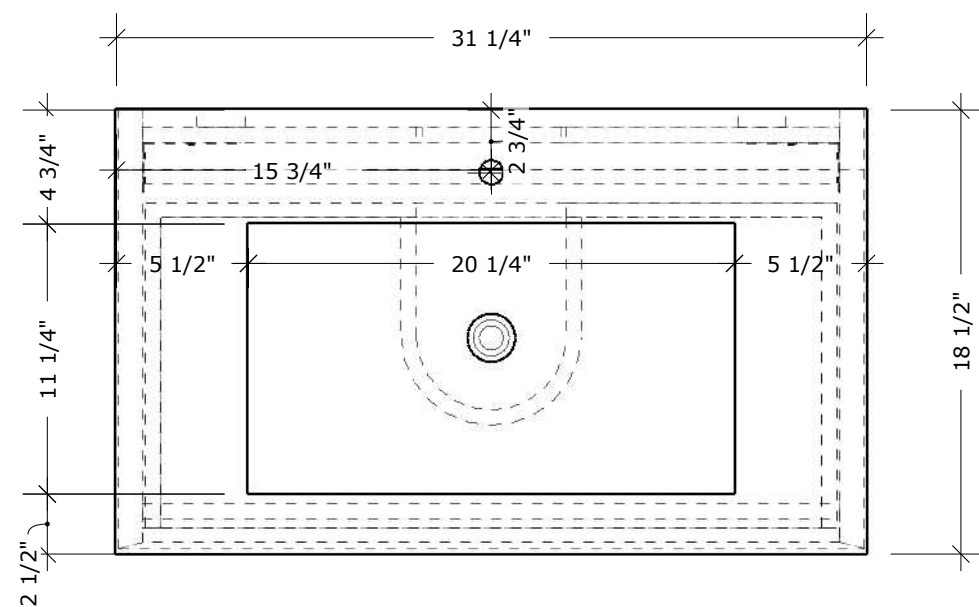
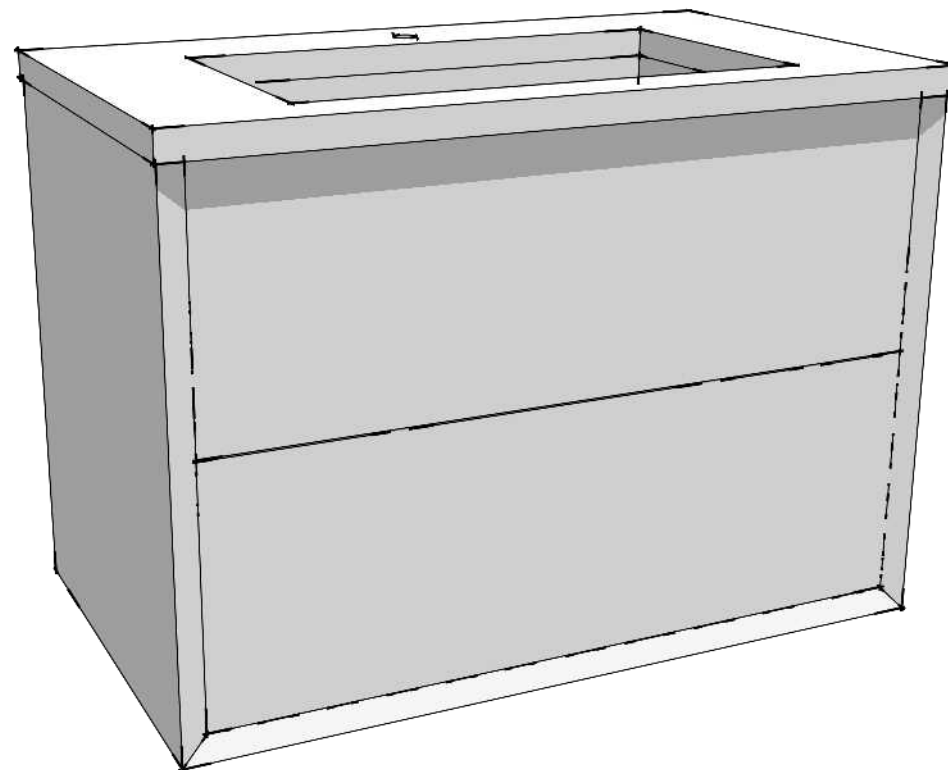
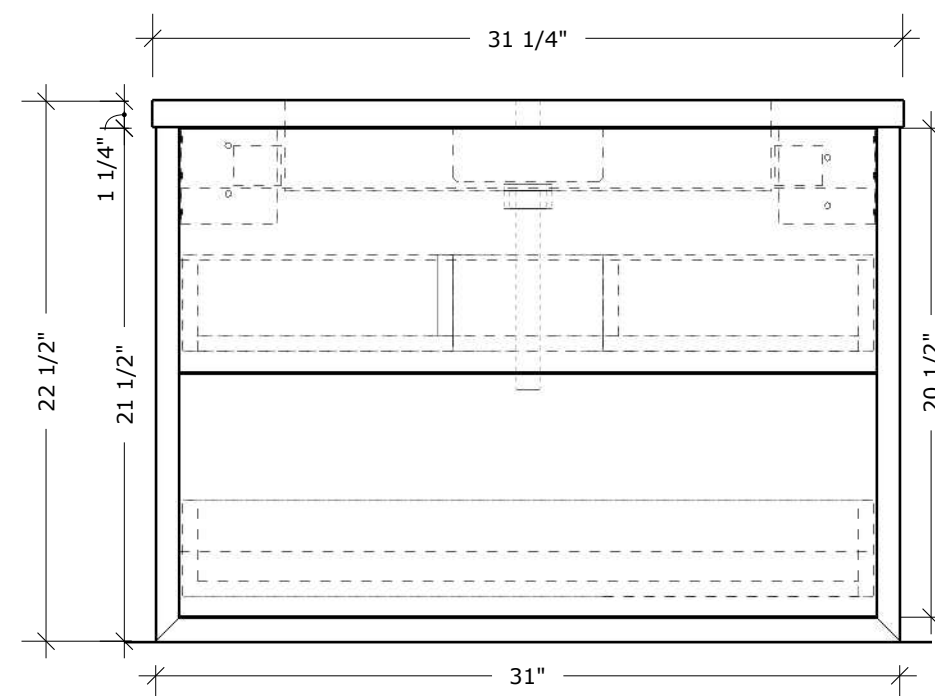


**OVERALL
DIMENSIONS**

W31.25" X H22.5" X D18.5"



PLAN



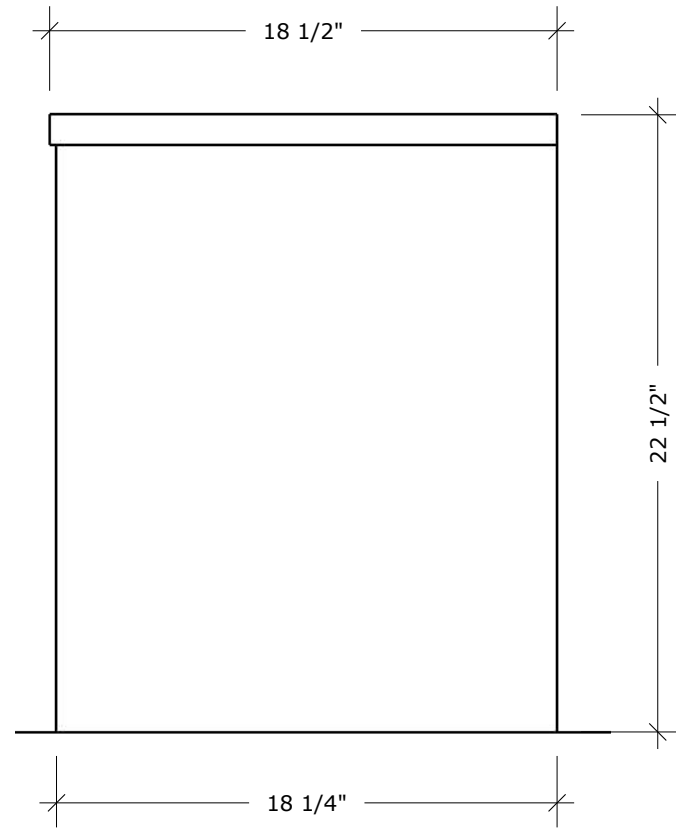
FRONT ELEVATION



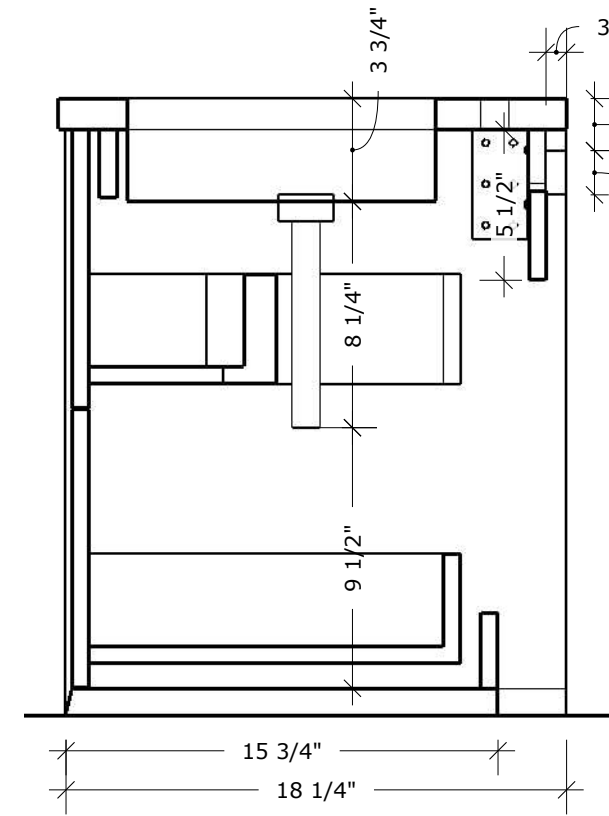
PRODUCT CODE
MC 800VO

**OVERALL
DIMENSIONS**

W31.25" X H22.5" X D18.5"

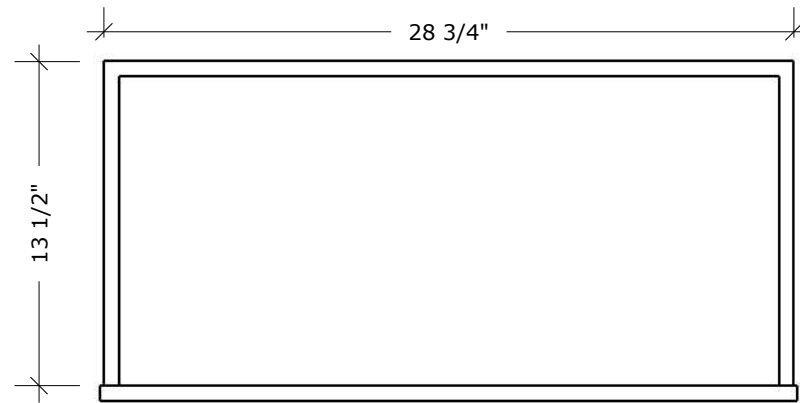


SIDE ELEVATION

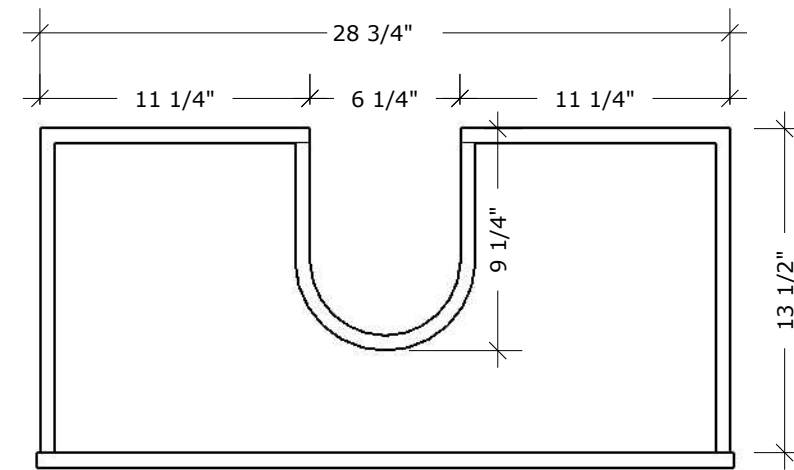


**APPROXIMATE HEIGHT OF
HANGING MECHANISM
FROM TOP OF VANITY**

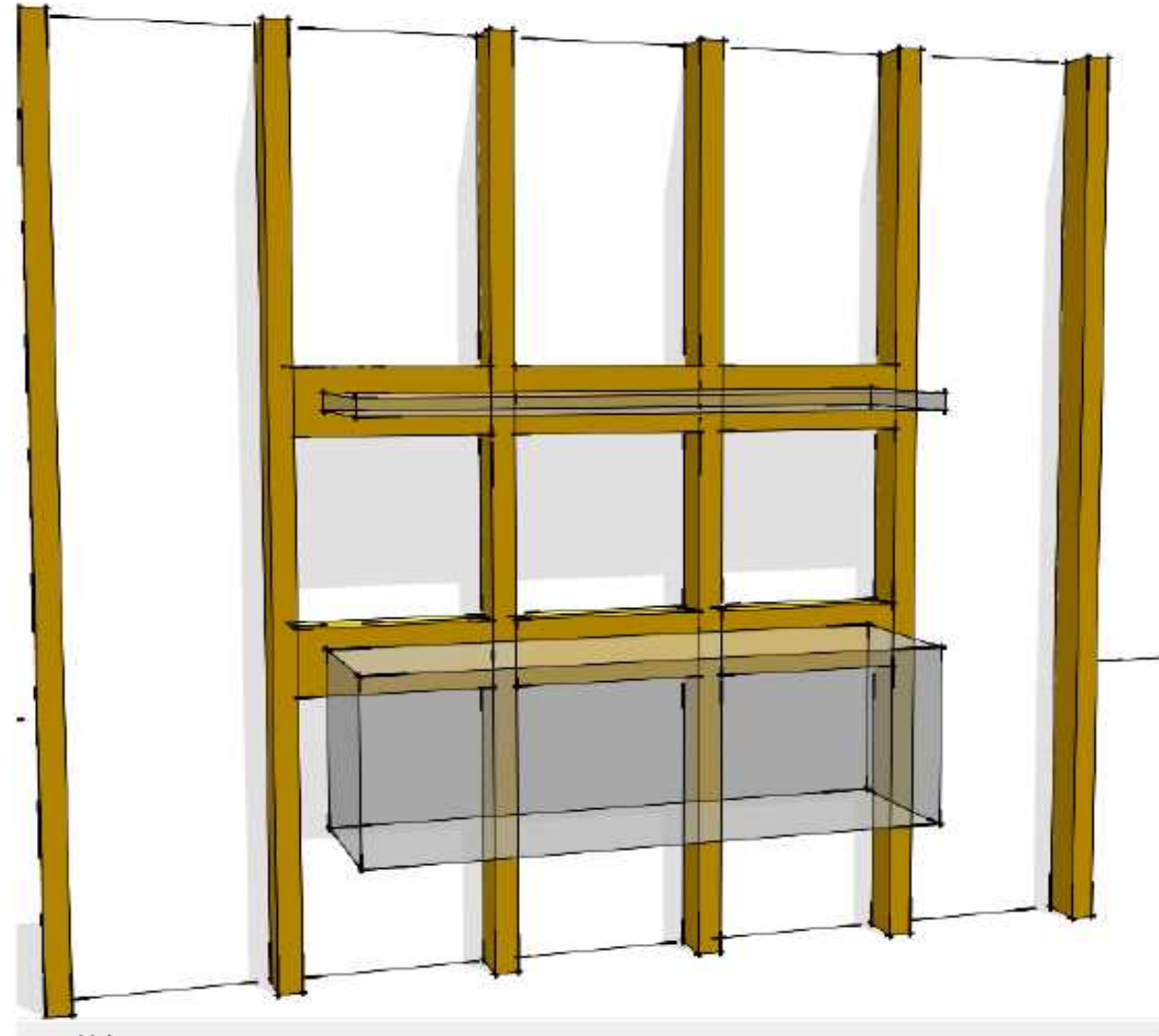
SECTION CUT



DRAWERS



PRODUCT CODE
MC 800VO



FLOATING VANITY / SHELVING

FLOATING SHELVES AND/OR CABINETS ARE REQUIRED TO BE REINFORCED WITH TWO OR THREE LAYERS OF 2X6 STUDS BETWEEN THE STUDS.

FOR VANITY, HEIGHT OF BLOCKING SHOULD BE AT THE TOP OF THE CABINETS (NOT INCLUDING COUNTERTOP)