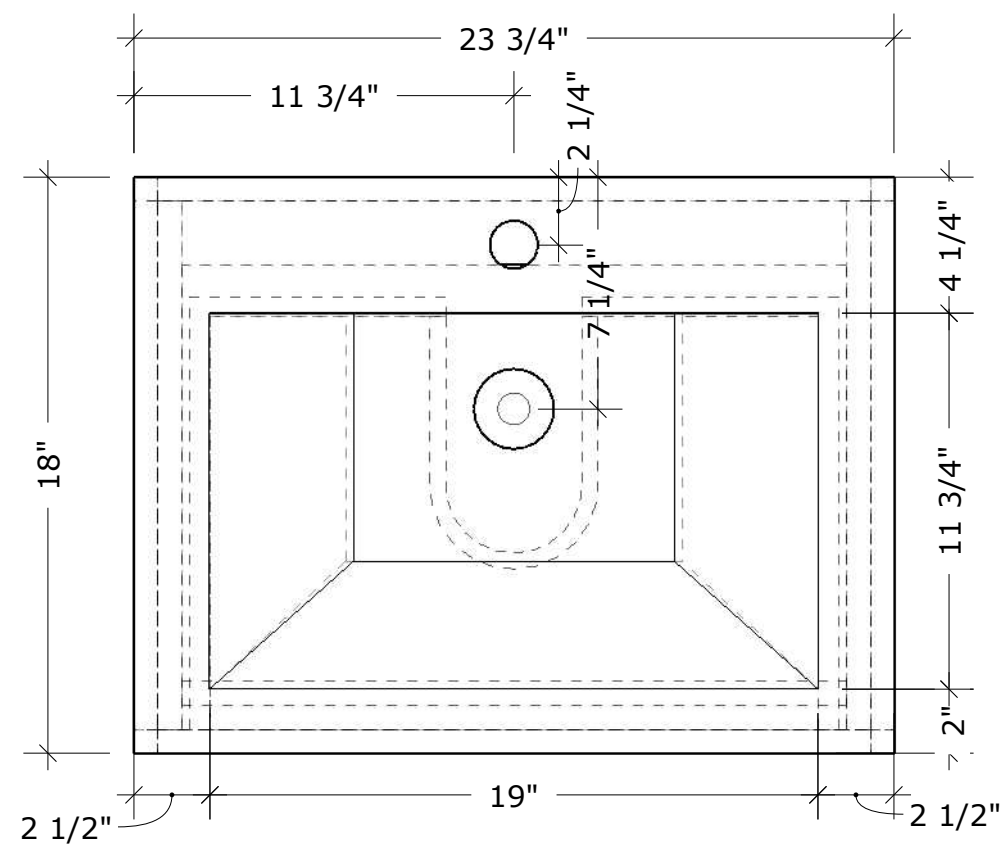
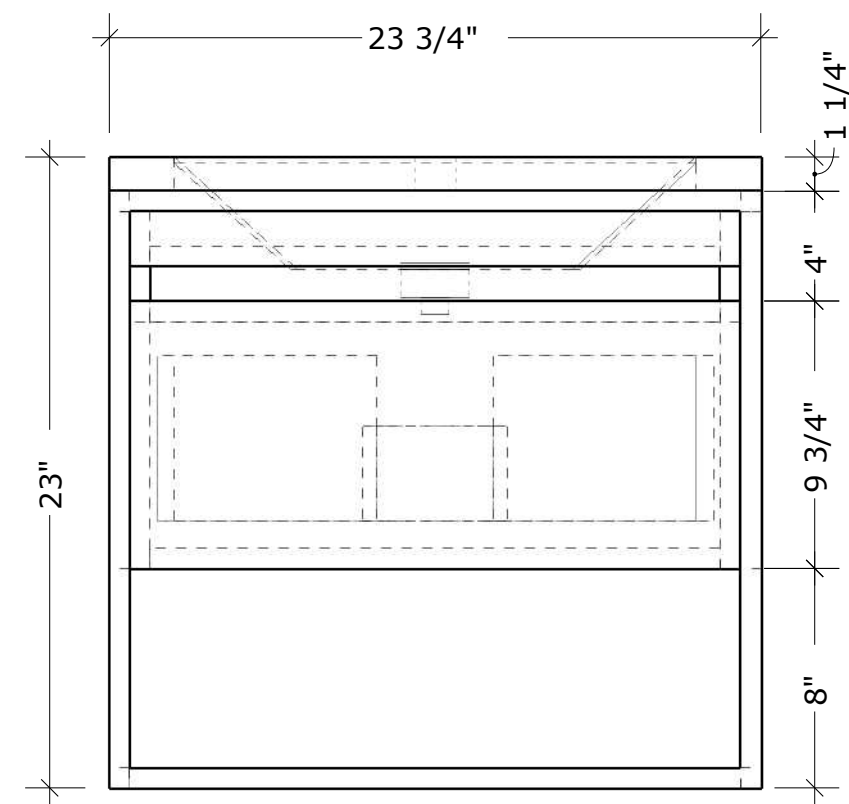


**OVERALL  
DIMENSIONS**

W 23 3/4" X H 23" X D 18"



PLAN



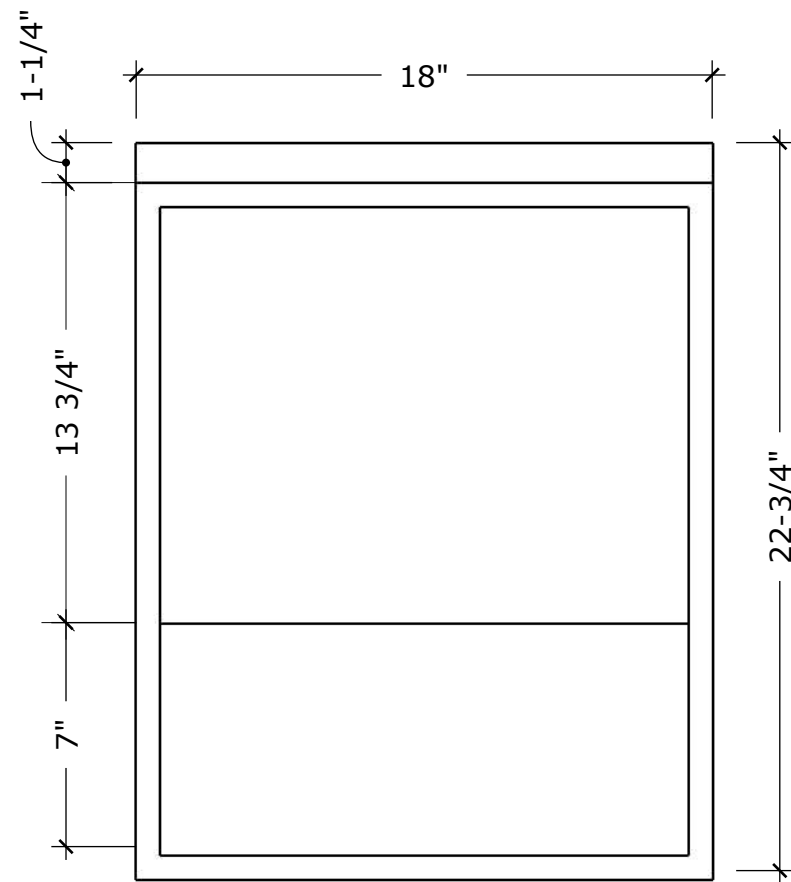
FRONT ELEVATION



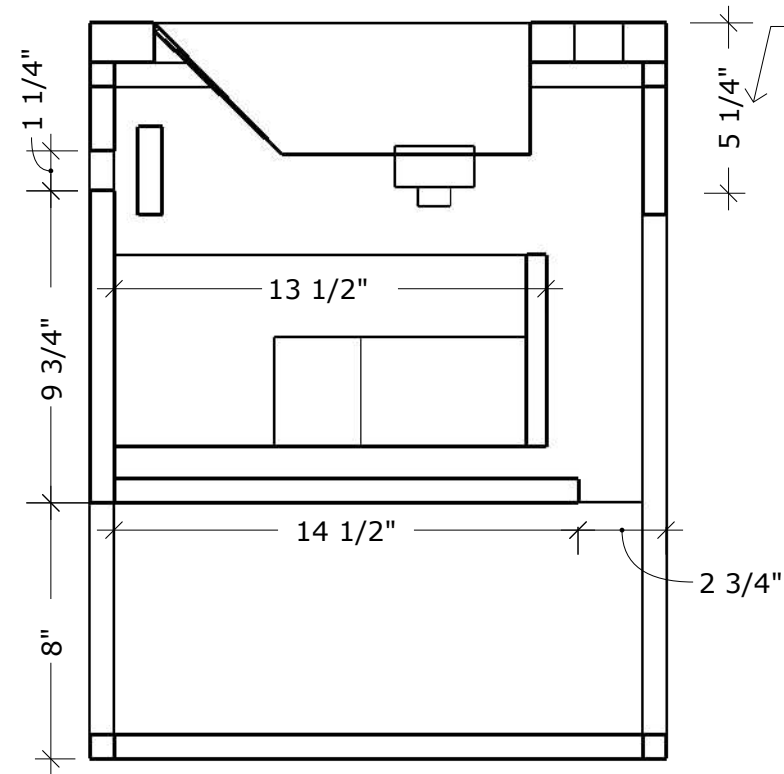
**PRODUCT CODE**  
MC 600MB

**OVERALL  
DIMENSIONS**

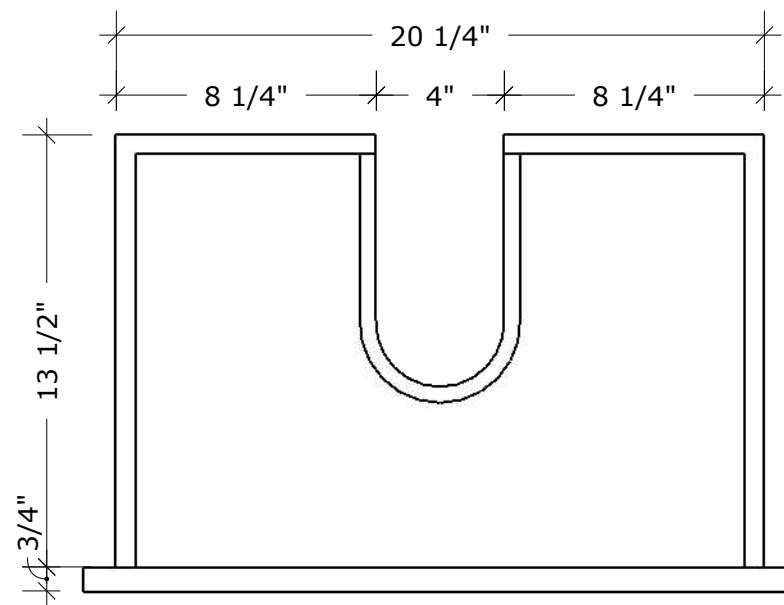
W 23 3/4" X H 23" X D 18"



SIDE ELEVATION



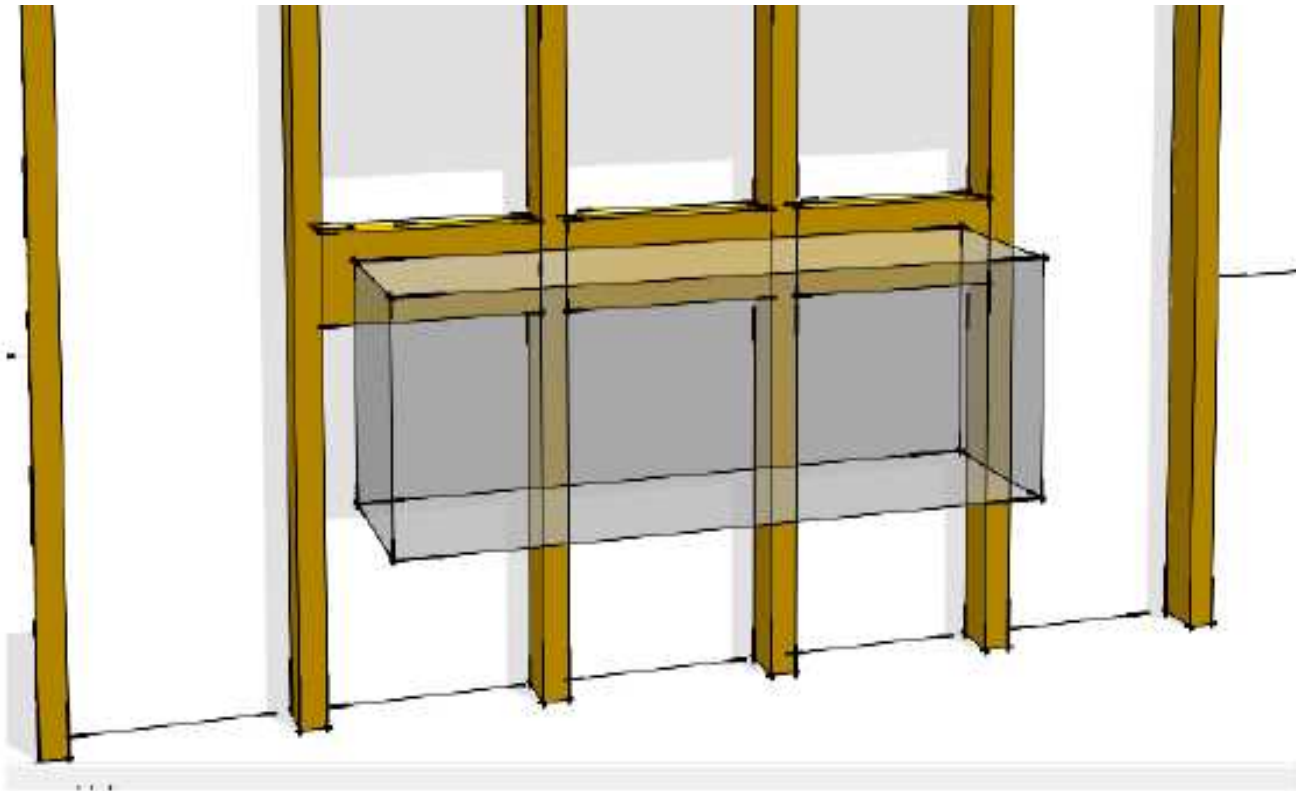
SECTION CUT



DRAWER

**VENETO BATH**

**PRODUCT CODE**  
MC 600MB



**FLOATING VANITY**

**FLOATING CABINETRY ARE REQUIRED TO BE REINFORCED WITH TWO OR THREE LAYERS OF 2X6 STUDS BETWEEN THE STUDS.**

**FOR VANITY, HEIGHT OF BLOCKING SHOULD BE AT THE TOP OF THE CABINETRY (NOT INCLUDING COUNTERTOP)**