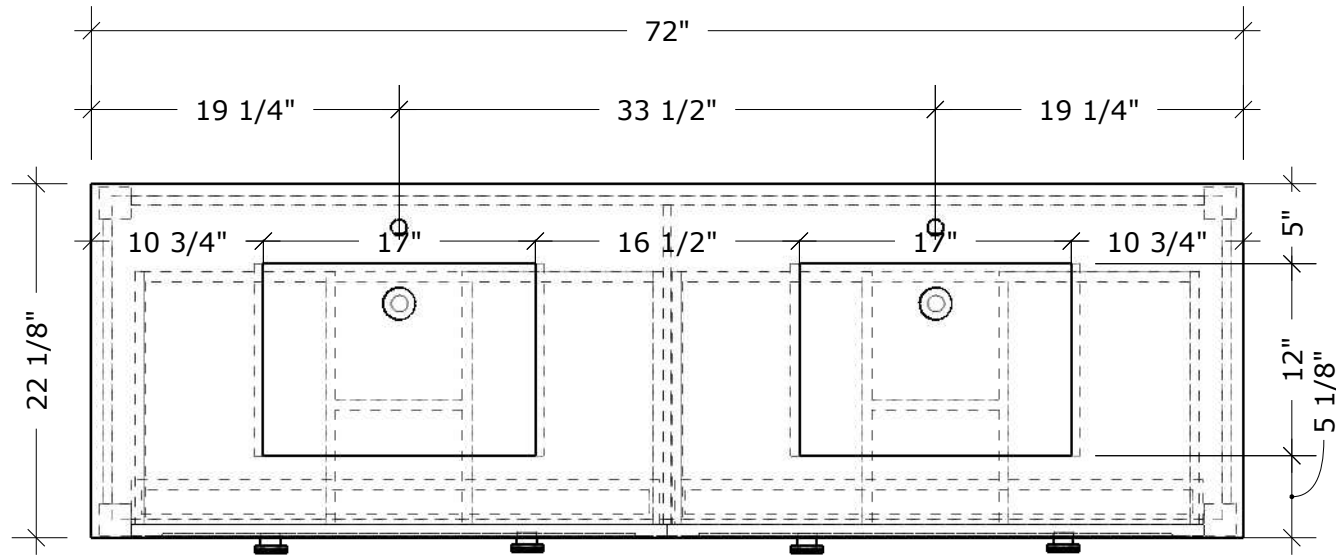
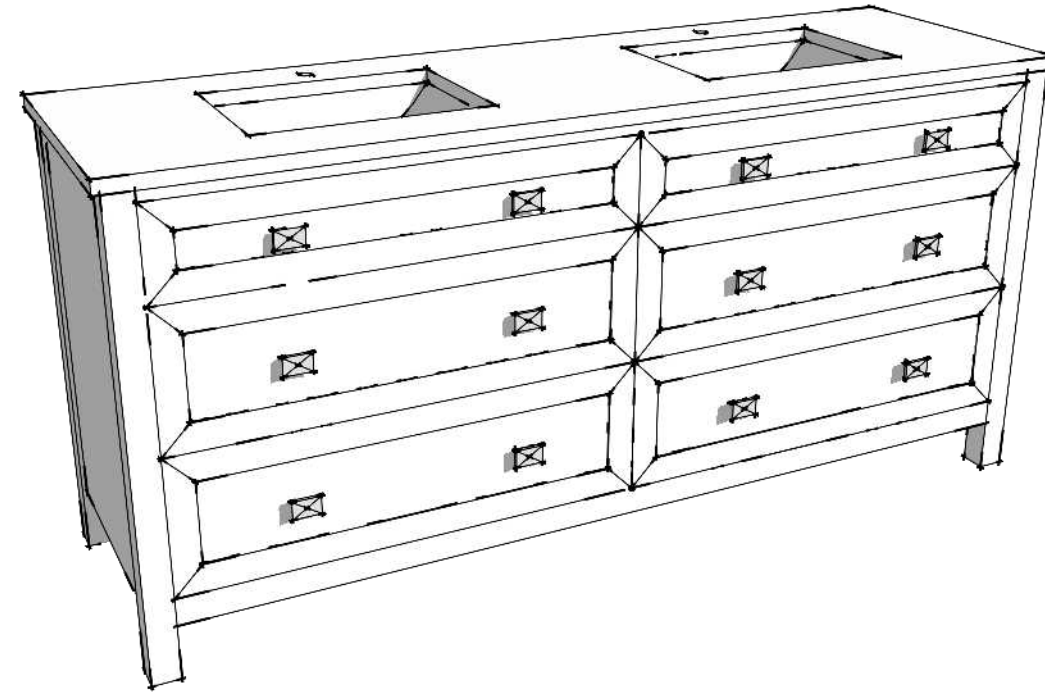


OVERALL DIMENSIONS

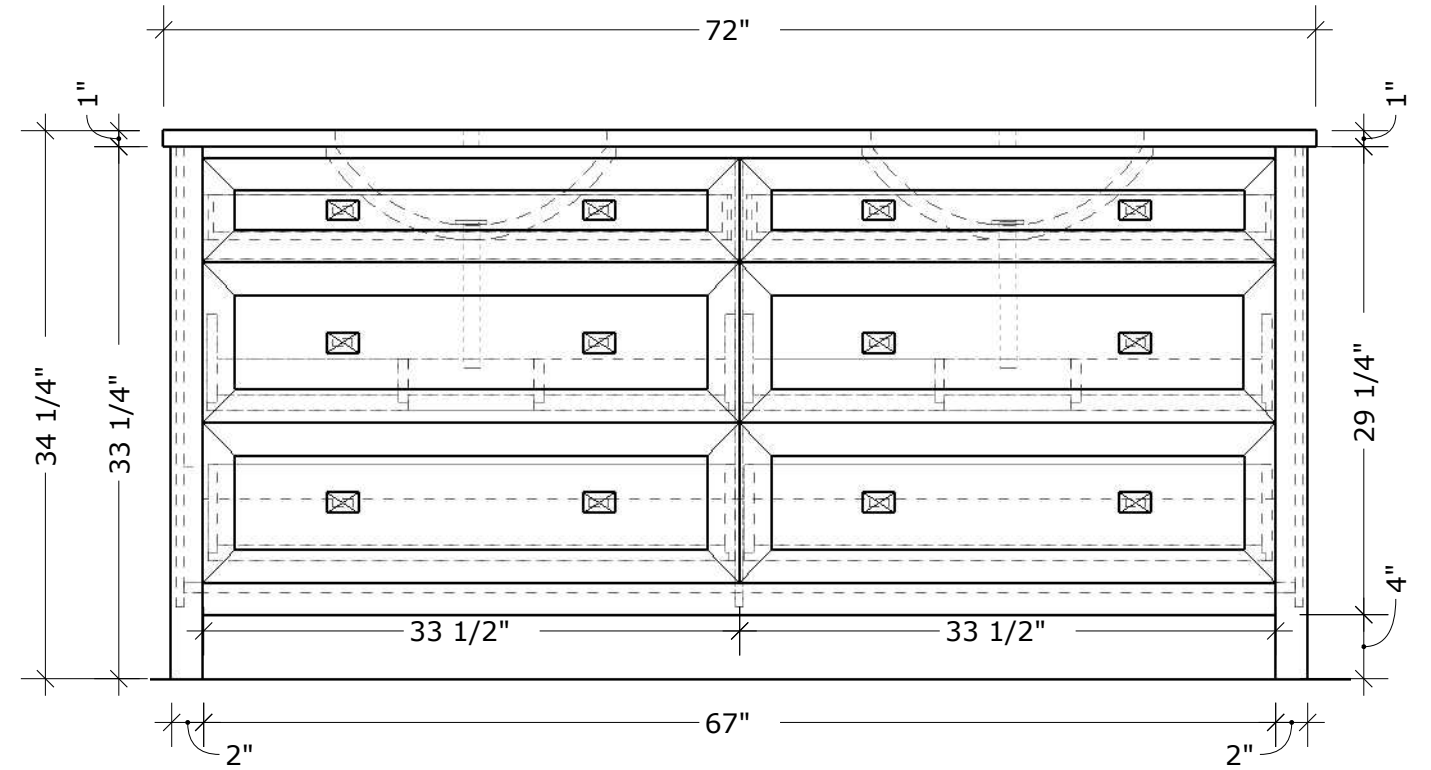
MARBLE COUNTERTOP:
W72" X H34.75" X D22"

QUARTZ COUNTERTOP:
W72" X H34" X D22"

QUARTZ COUNTERTOP
.75" THICKNESS
MARBLE COUNTERTOP
1" THICKNESS



PLAN



FRONT ELEVATION



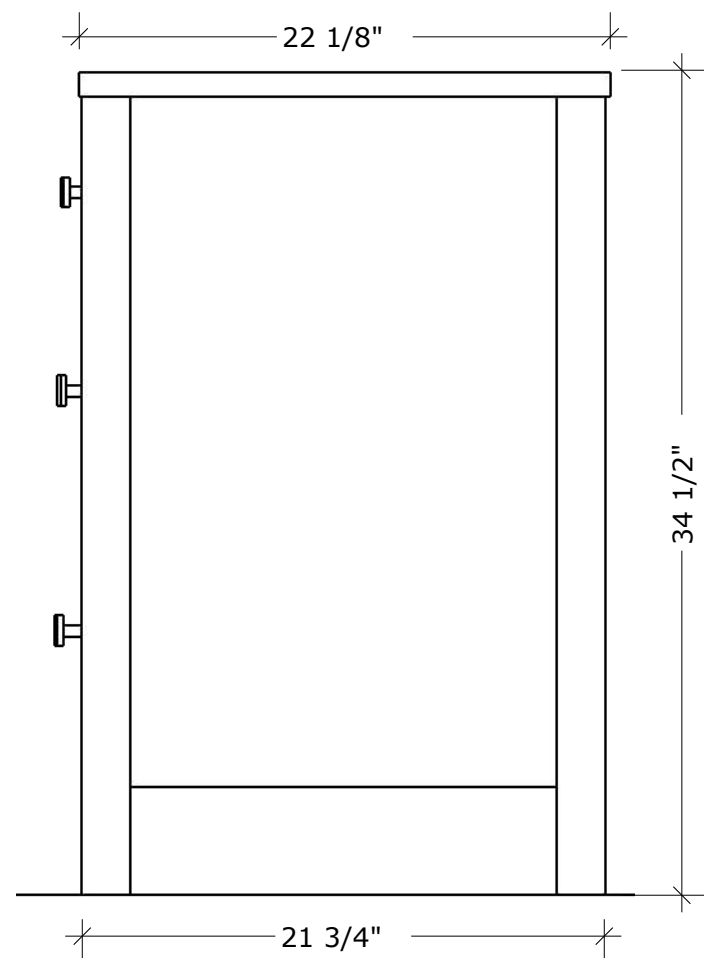
PRODUCT CODE
MC 565-72

OVERALL DIMENSIONS

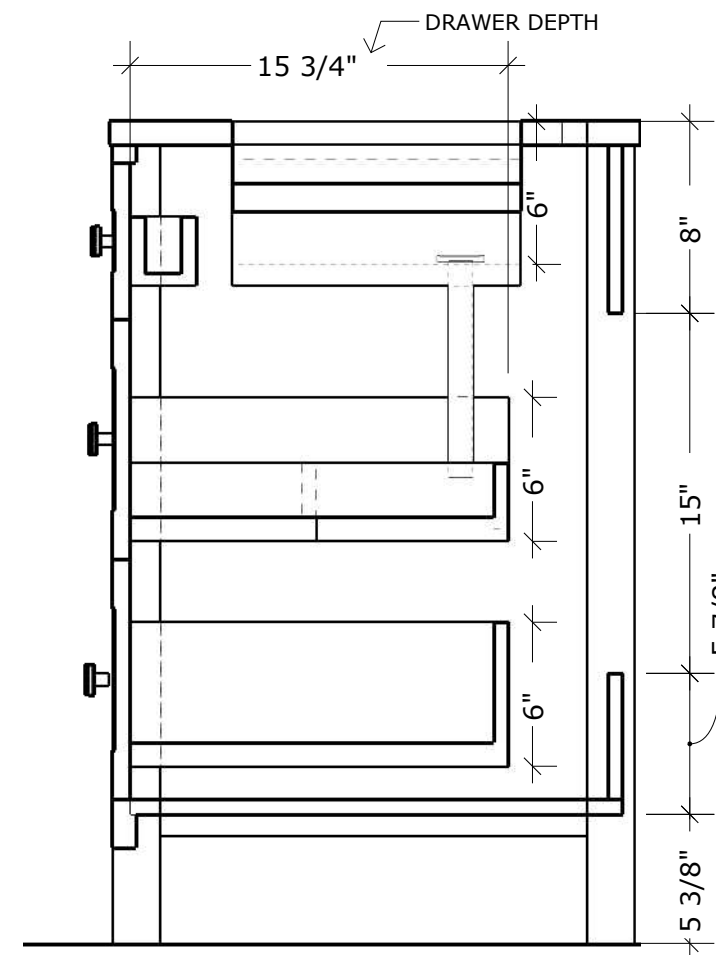
MARBLE COUNTERTOP:
W72" X H34.75" X D22"

QUARTZ COUNTERTOP:
W72" X H34" X D22"

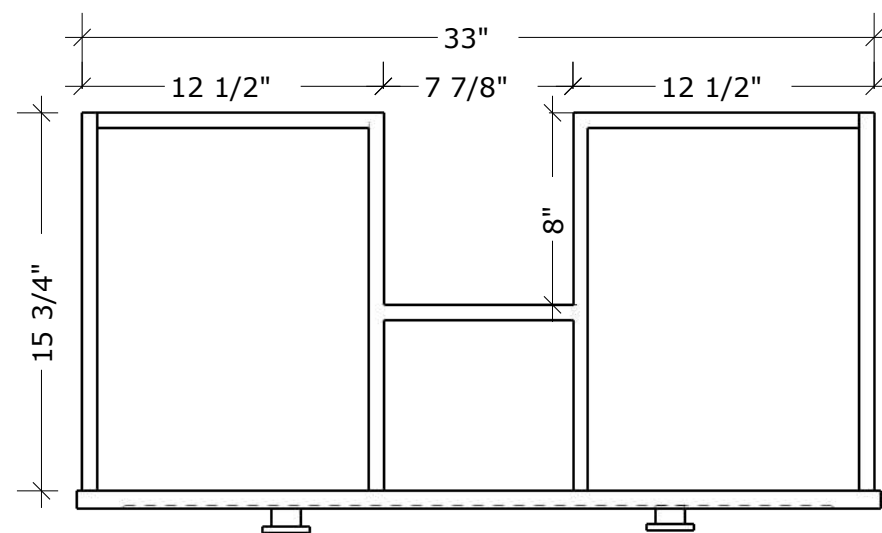
QUARTZ COUNTERTOP
.75" THICKNESS
MARBLE COUNTERTOP
1" THICKNESS



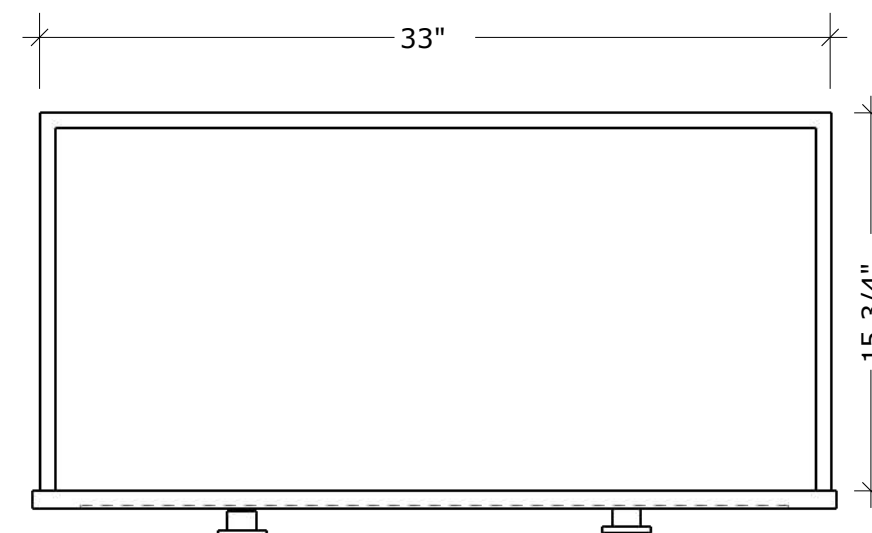
SIDE ELEVATION



SECTION CUT



TOP - U-SHAPE DRAWER



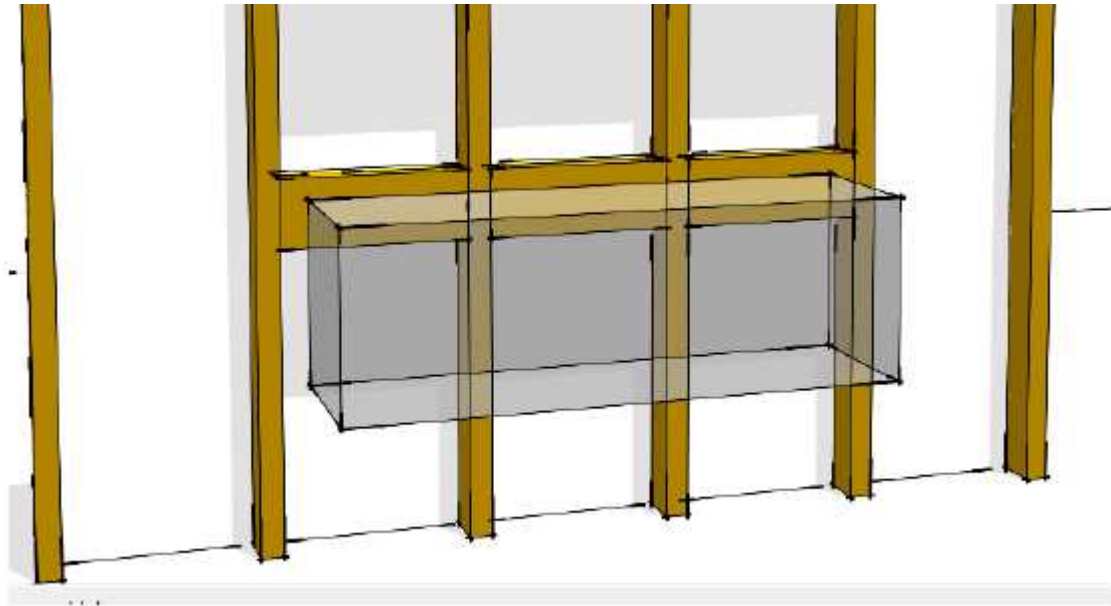
BOTTOM DRAWER



PRODUCT CODE
MC 565-72

MARBLE COUNTERTOP:
W72" X H34.75" X D22"

QUARTZ COUNTERTOP:
W72" X H34" X D22"



**FOR VANITY, HEIGHT OF BLOCKING
SHOULD BE AT THE TOP OF THE
CABINETS (NOT INCLUDING
COUNTERTOP)**