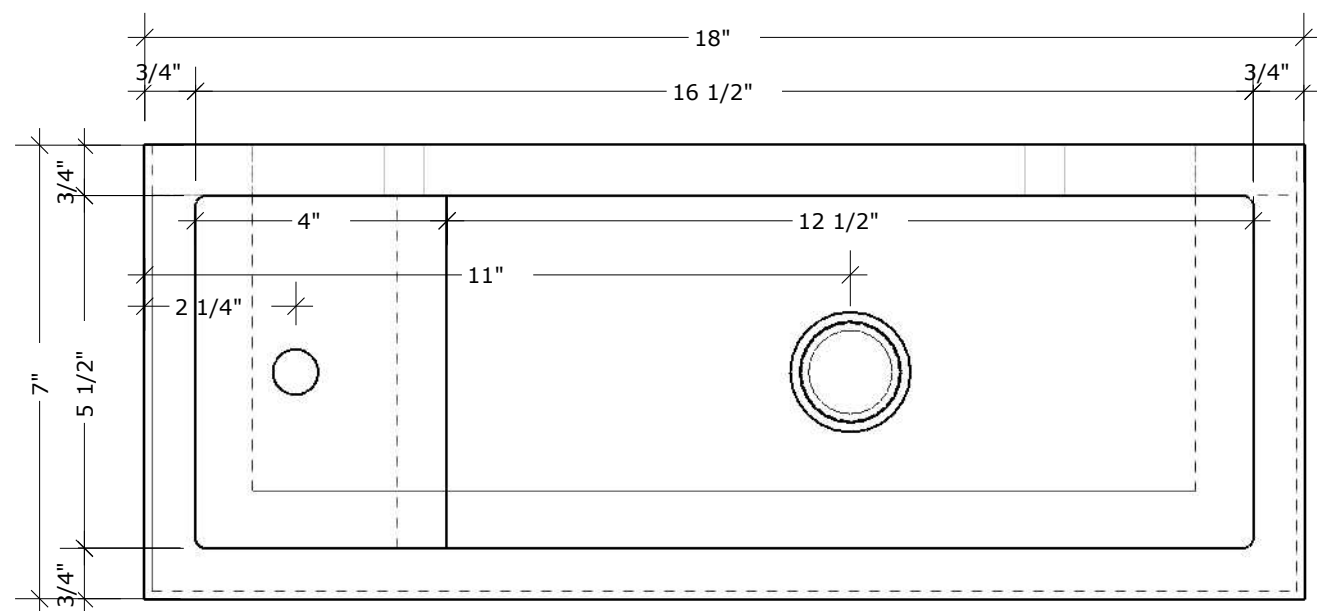
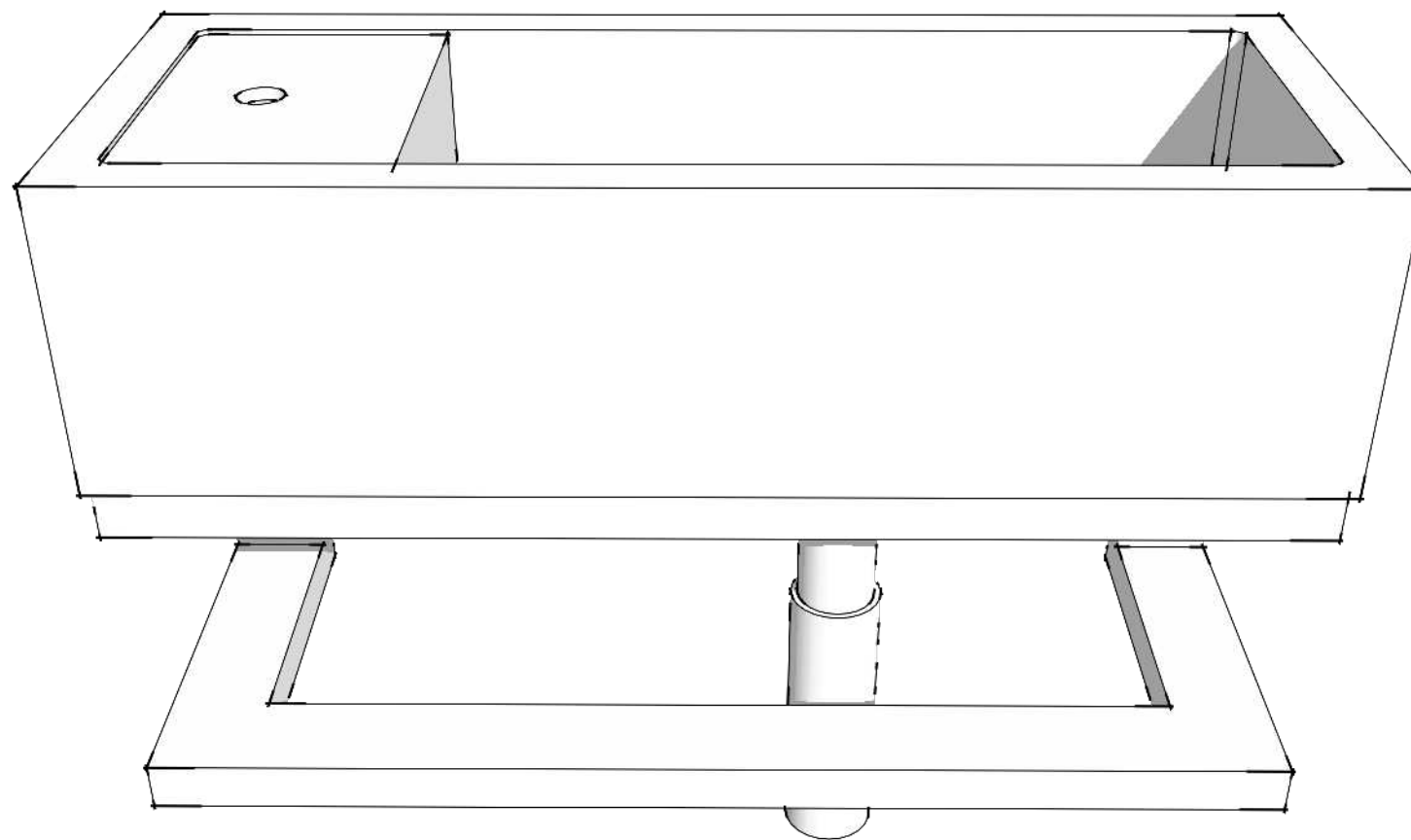
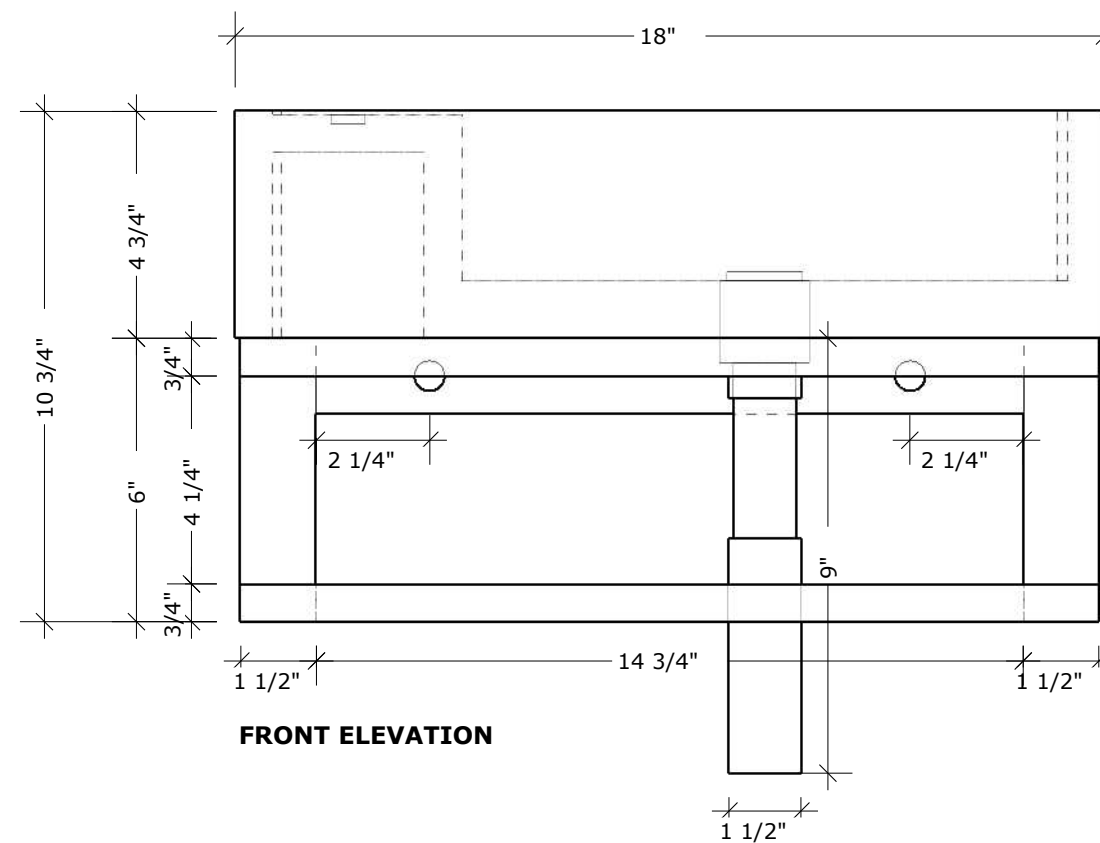


**OVERALL
DIMENSIONS**

W 18" X H 10 3/4" X D 7"



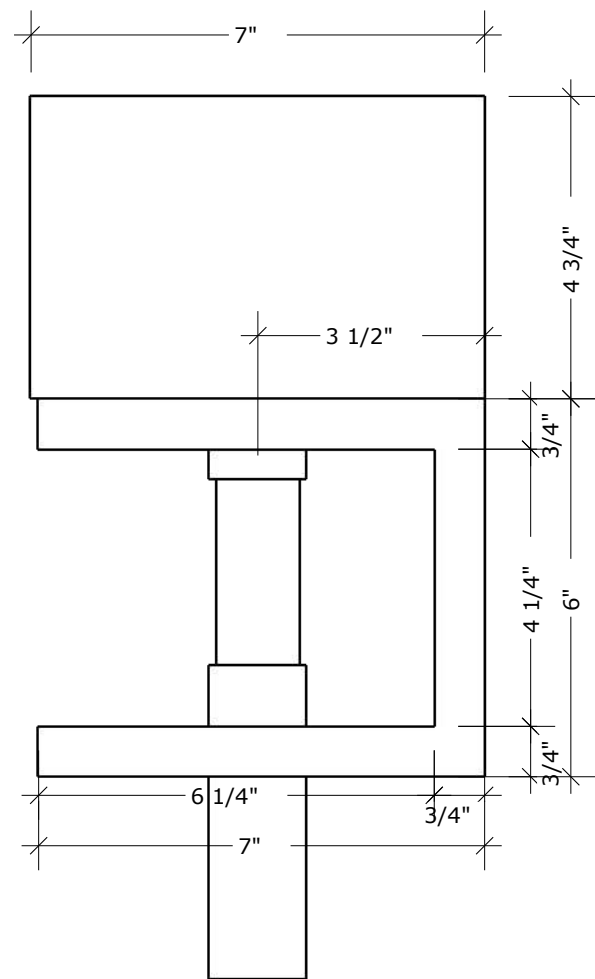
PLAN



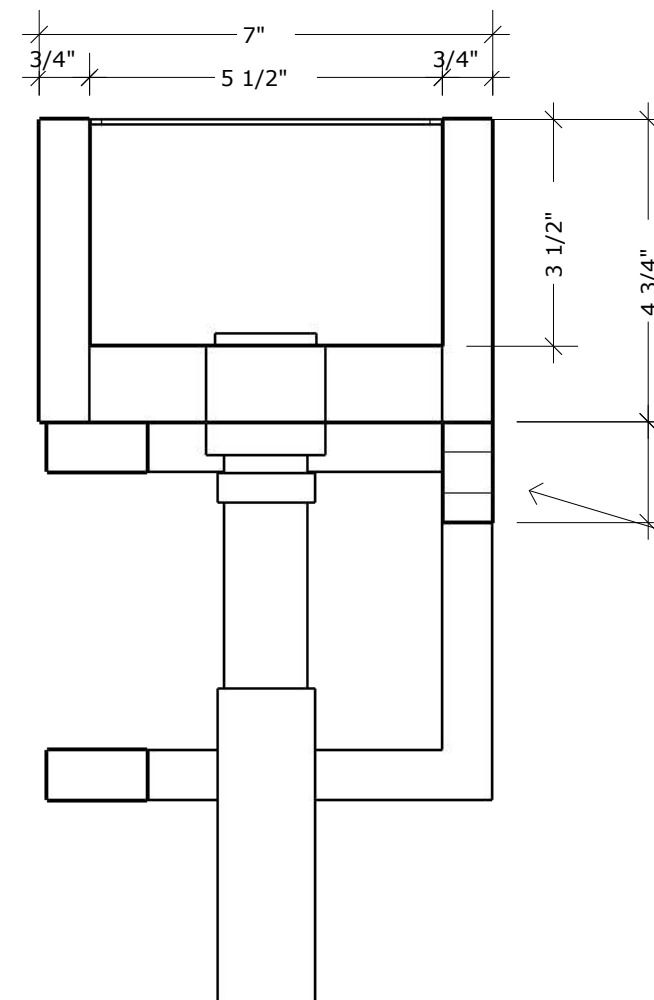
FRONT ELEVATION

**OVERALL
DIMENSIONS**

W 18" X H 10 3/4" X D 7"

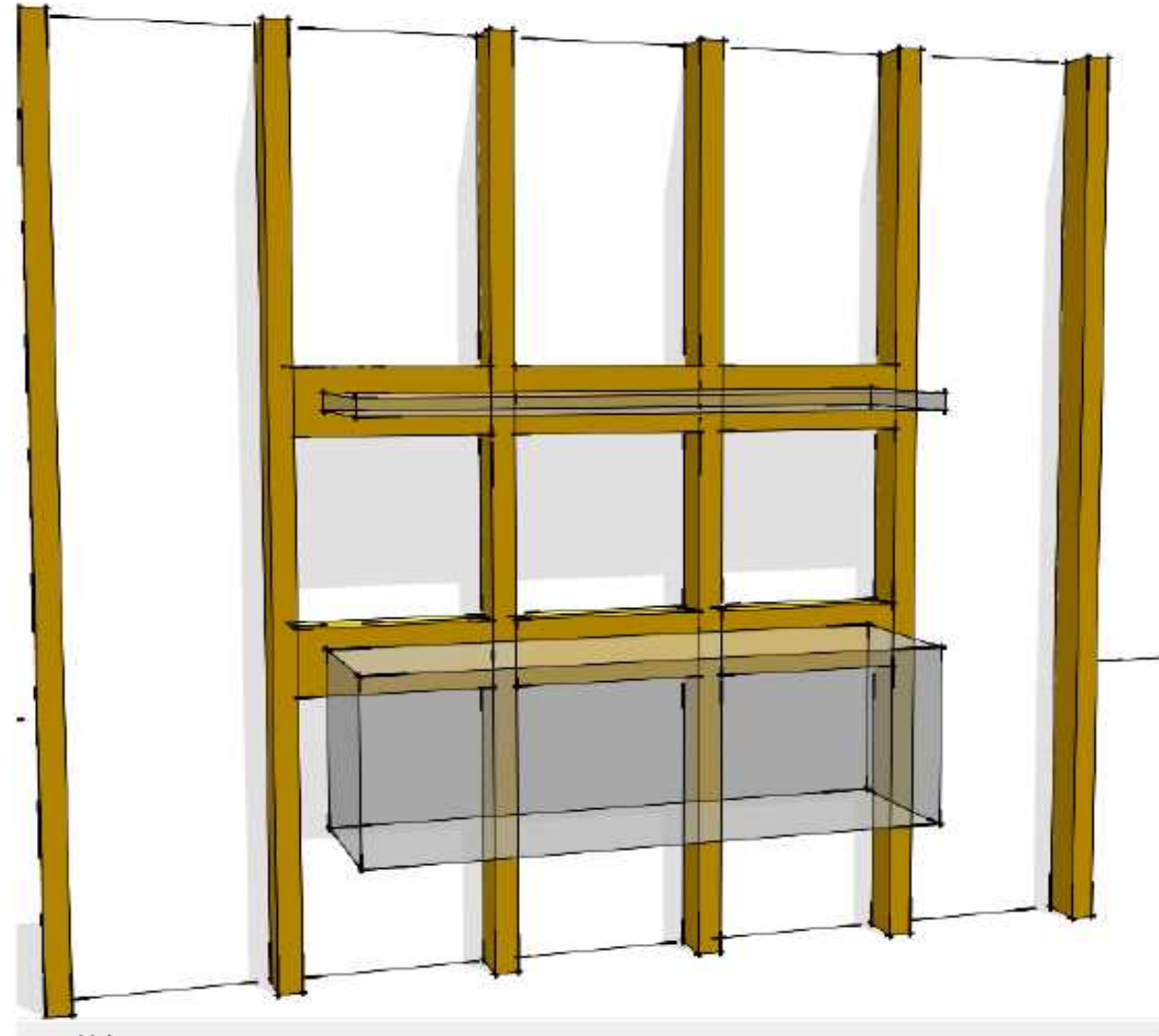


SIDE ELEVATION



SECTION CUT

**APPROXIMATE HEIGHT OF
HANGING MECHANISM**



FLOATING VANITY / SHELVING

FLOATING SHELVES AND/OR CABINETRY ARE REQUIRED TO BE REINFORCED WITH TWO OR THREE LAYERS OF 2X6 STUDS BETWEEN THE STUDS.

FOR VANITY, HEIGHT OF BLOCKING SHOULD BE AT THE TOP OF THE CABINETRY (NOT INCLUDING COUNTERTOP)