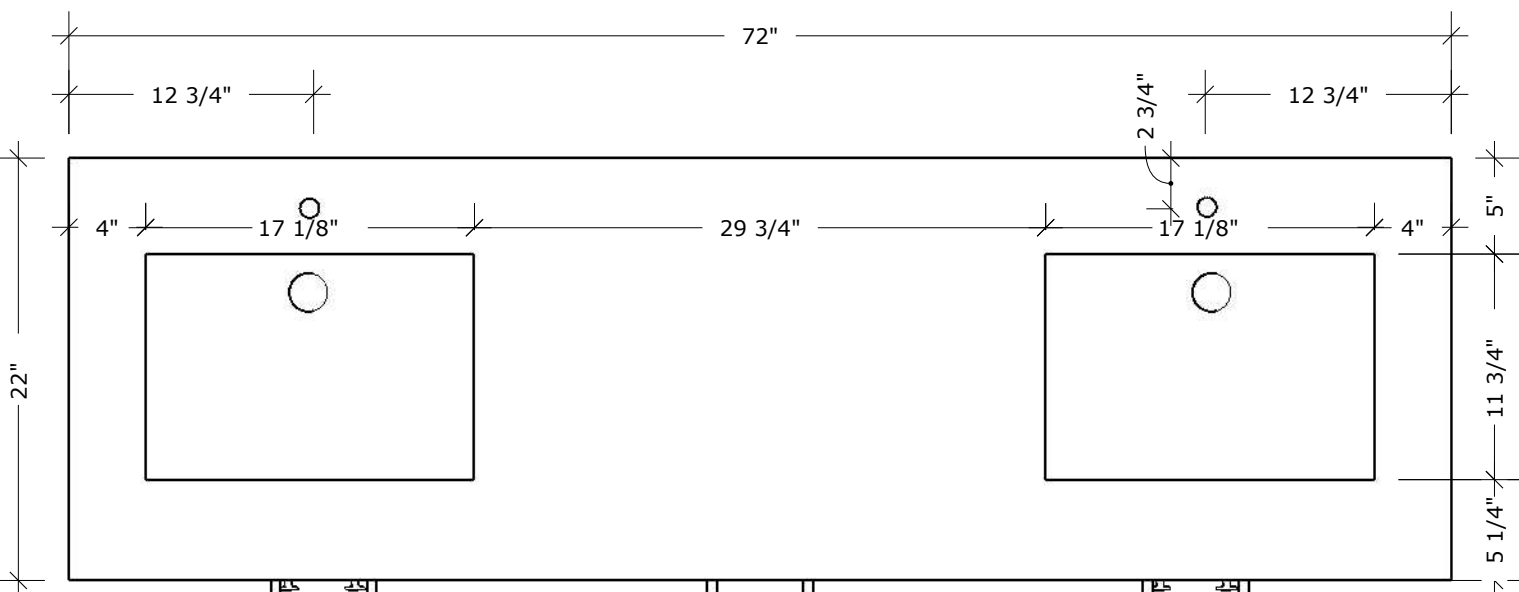
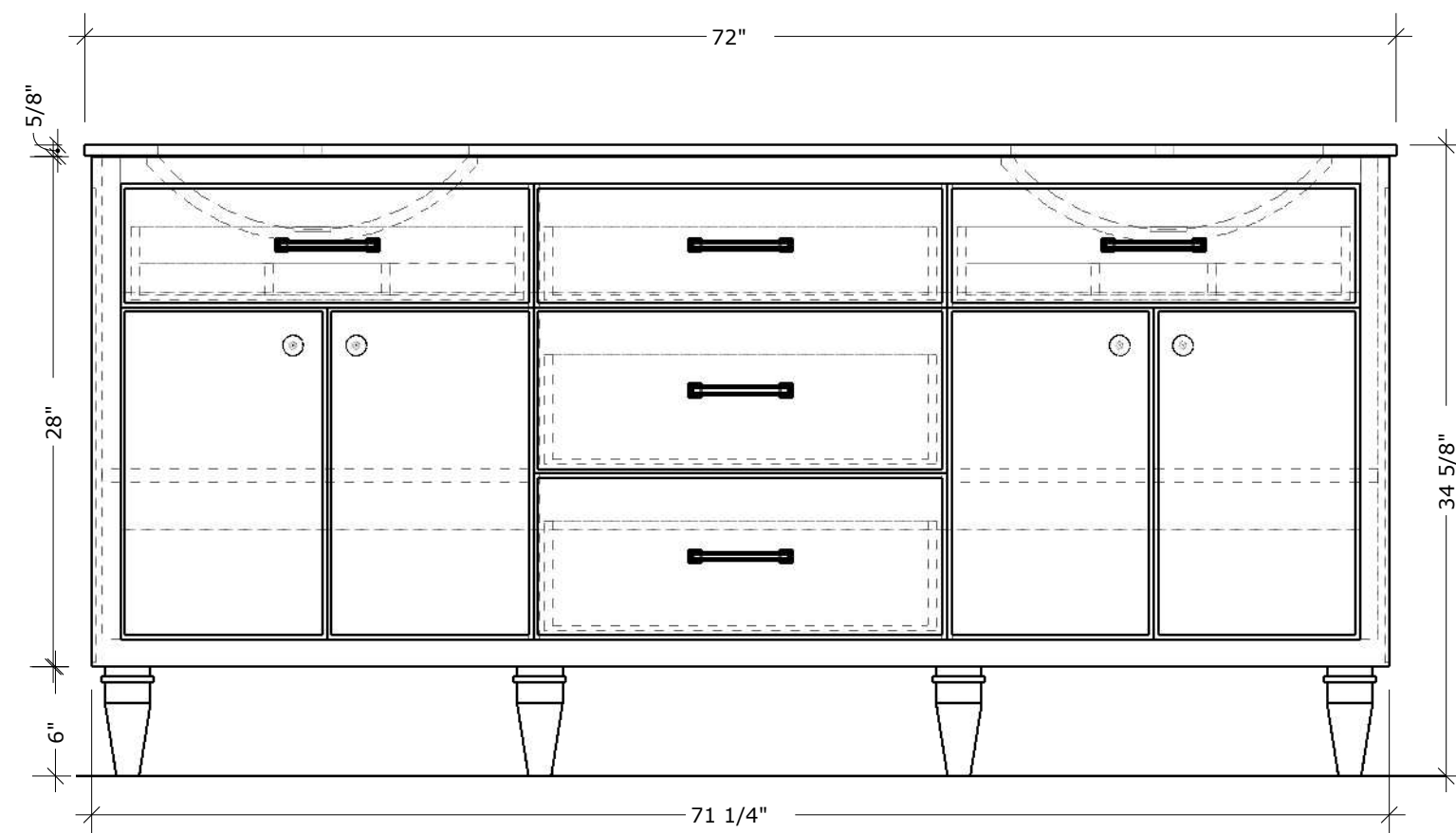


**OVERALL
DIMENSIONS**

W72" X H34.5" X D22"



PLAN



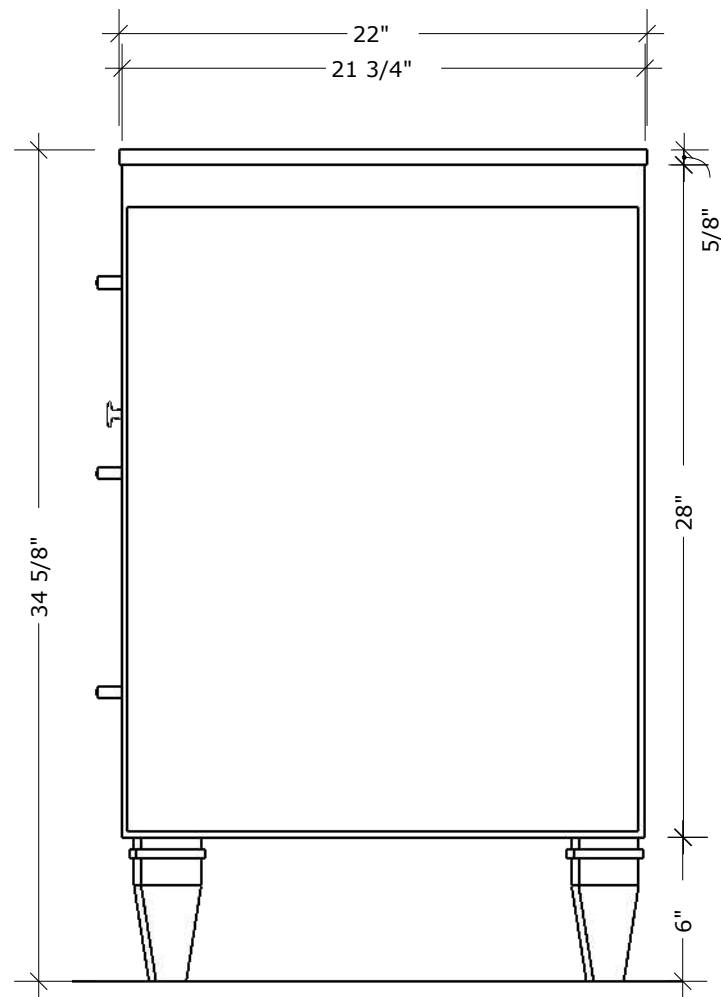
FRONT ELEVATION



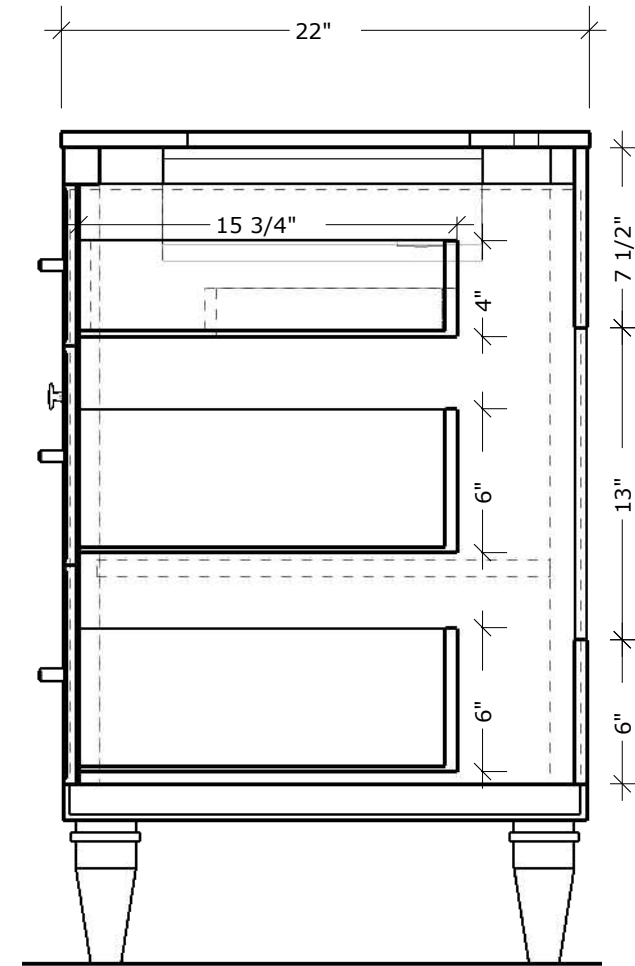
PRODUCT CODE
MC 4010-72

**OVERALL
DIMENSIONS**

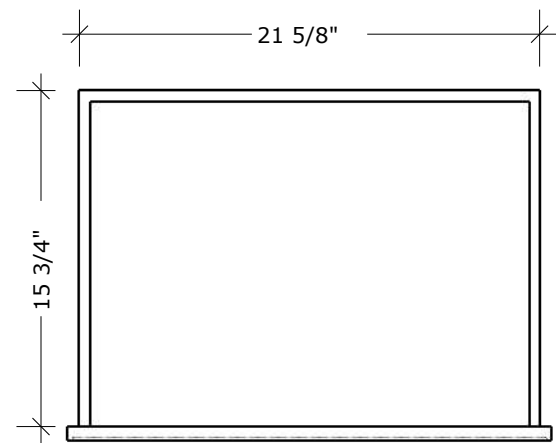
W72" X H34.5" X D22"



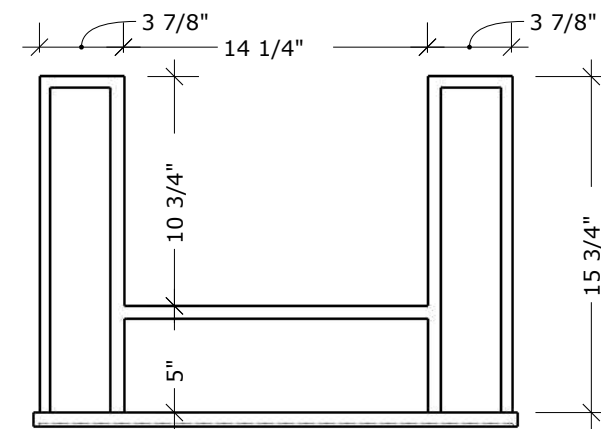
SIDE ELEVATION



SECTION CUT



DRAWERS



SINK DRAWERS



PRODUCT CODE
MC 4010-72