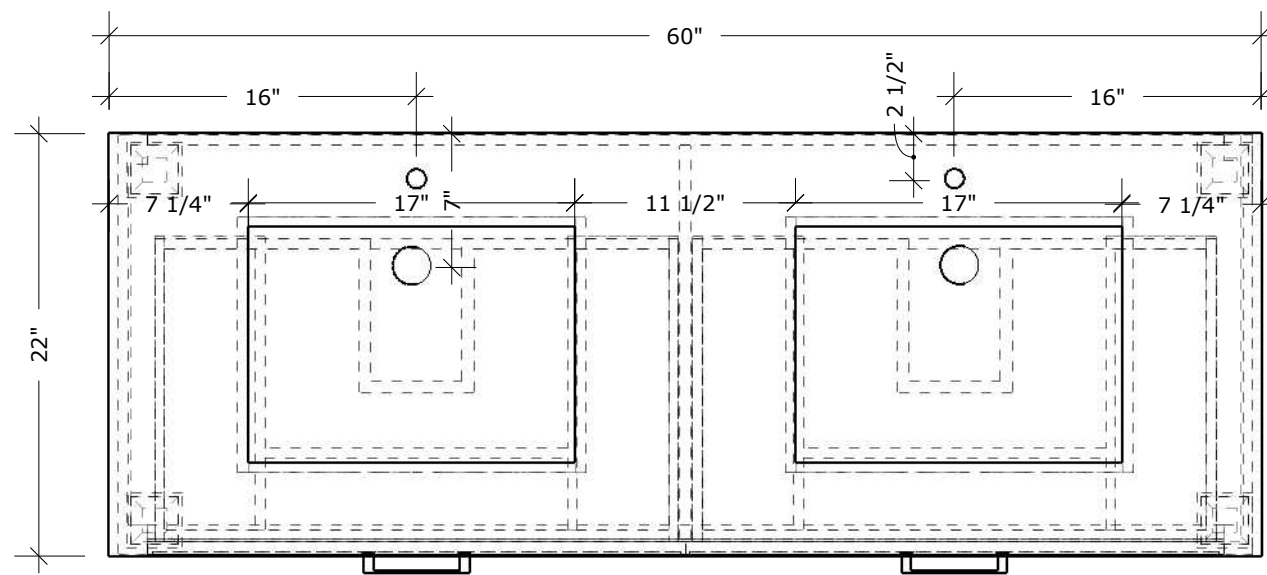
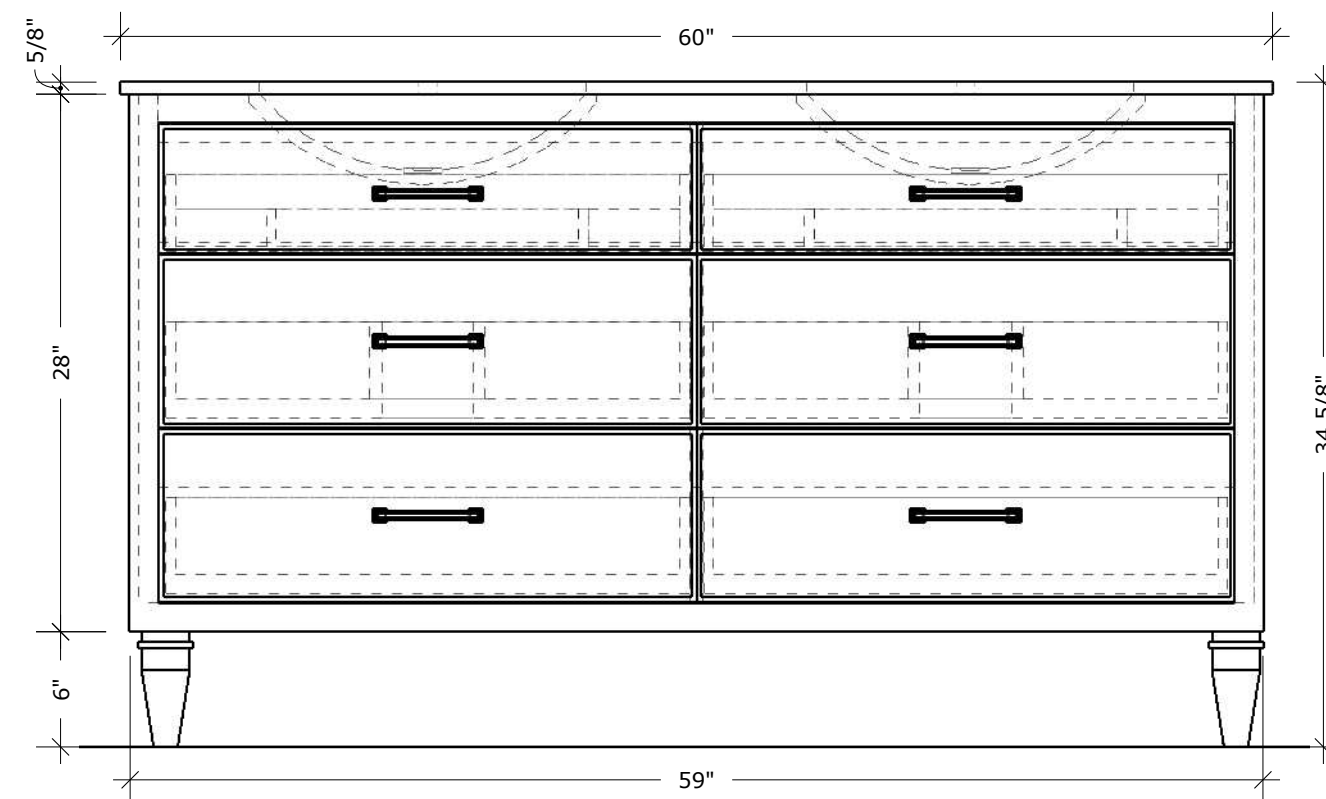


**OVERALL
DIMENSIONS**

W60" X H34.5" X D22"



PLAN



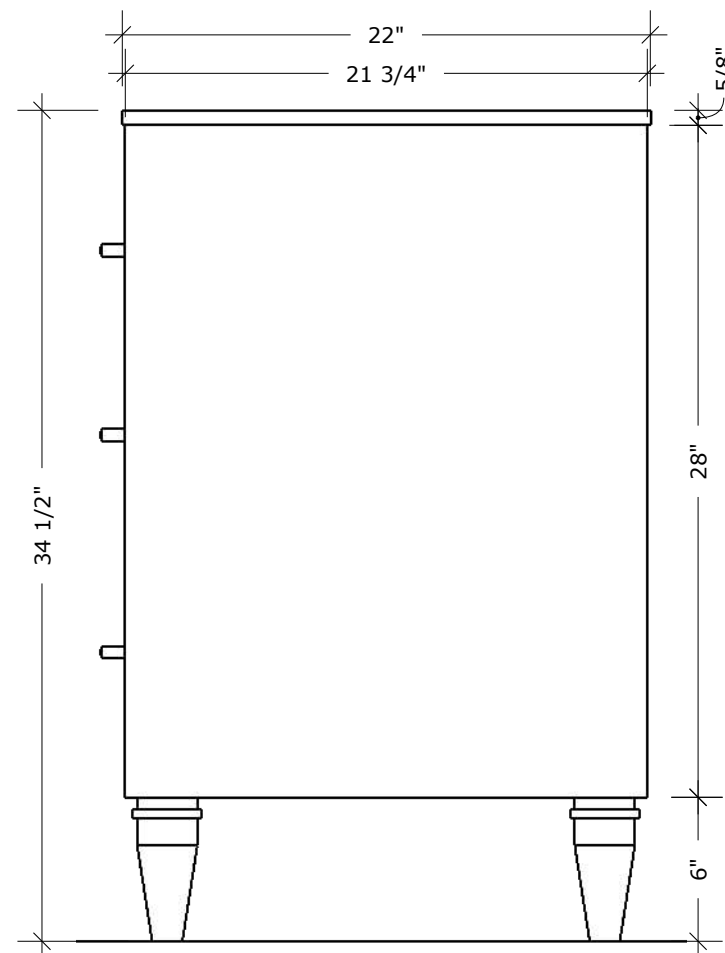
FRONT ELEVATION



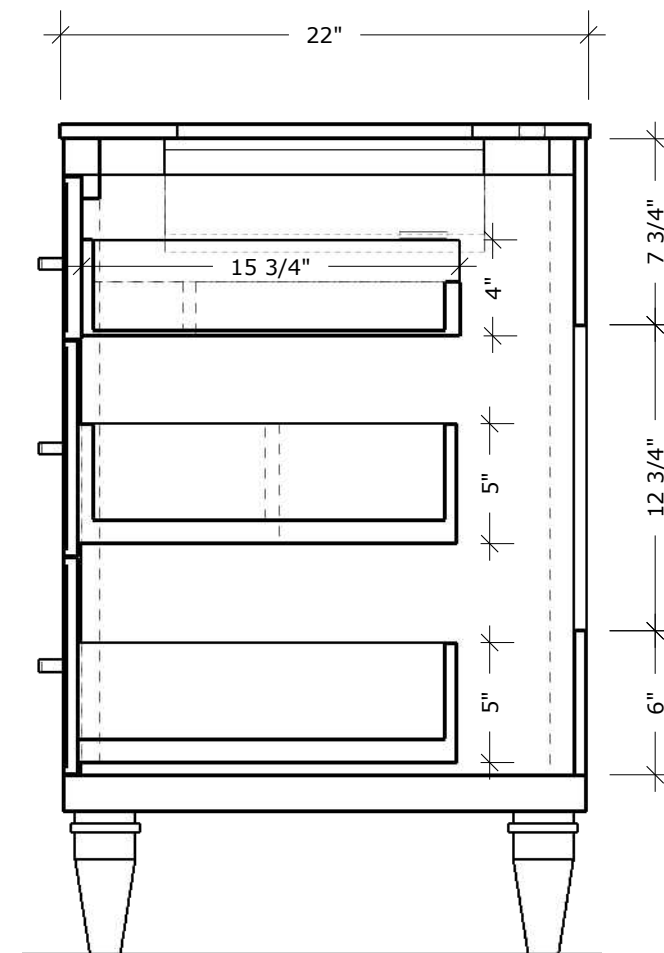
PRODUCT CODE
MC 4010-60

**OVERALL
DIMENSIONS**

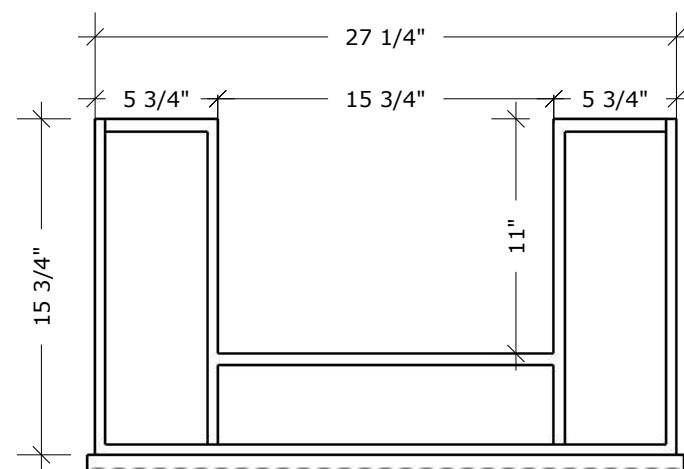
W60" X H34.5" X D22"



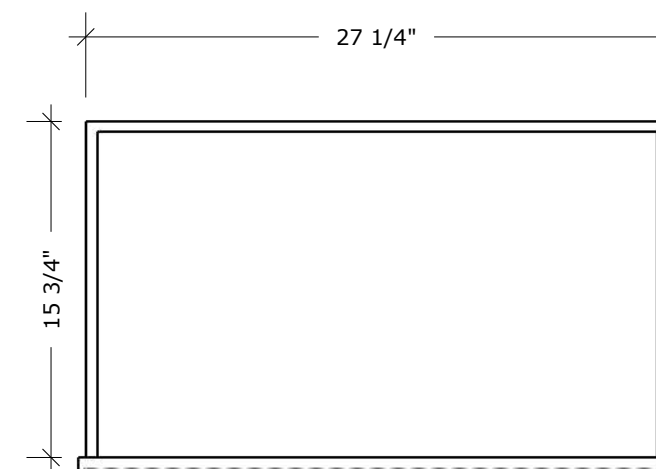
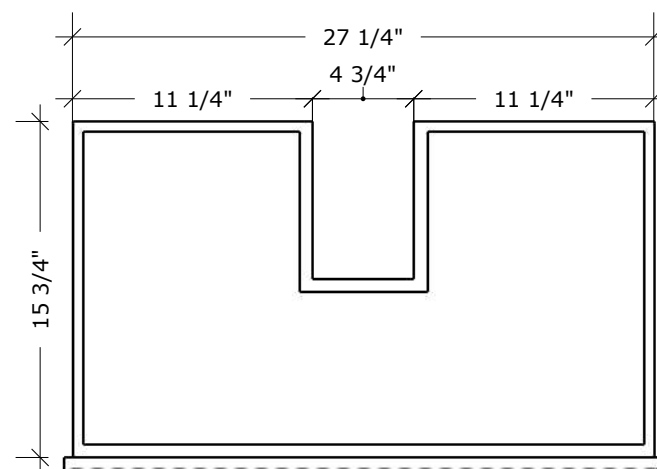
SIDE ELEVATION



SECTION CUT



DRAWERS



PRODUCT CODE
MC 4010-60