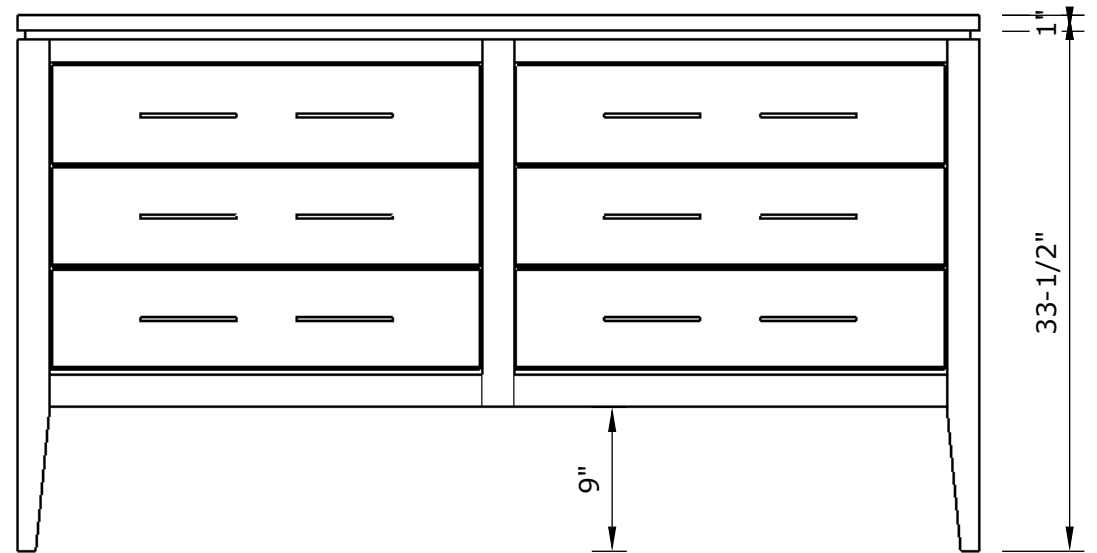
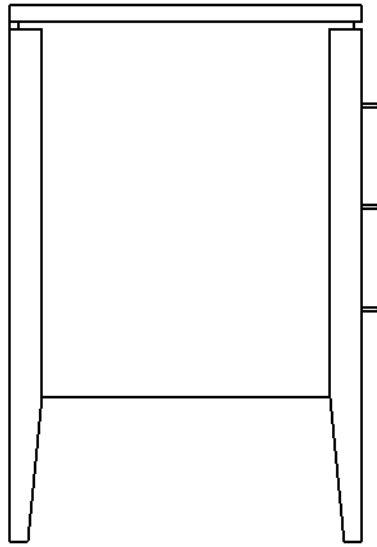


PLAN

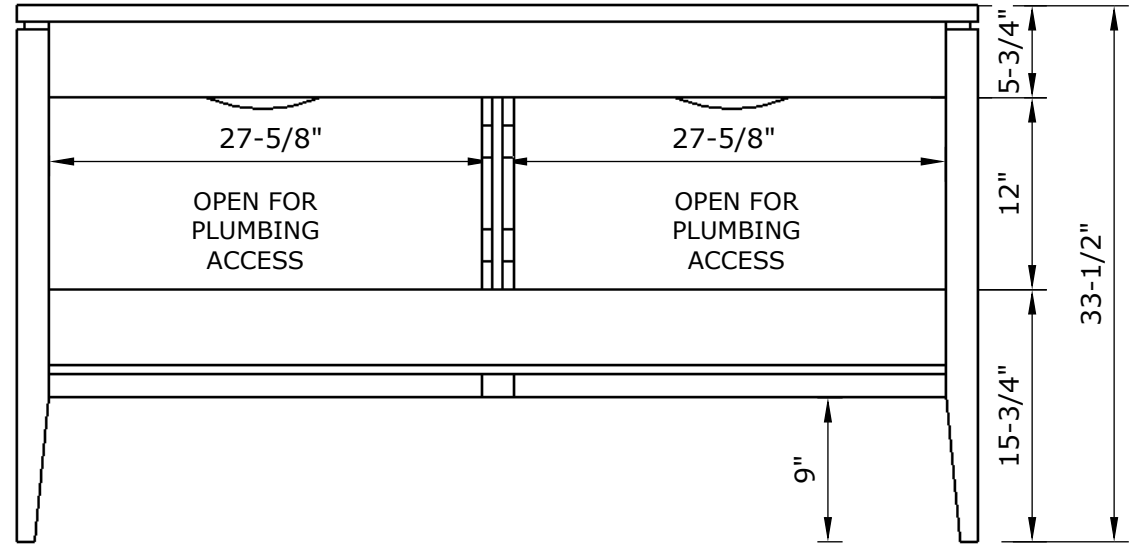


FRONT ELEVATION

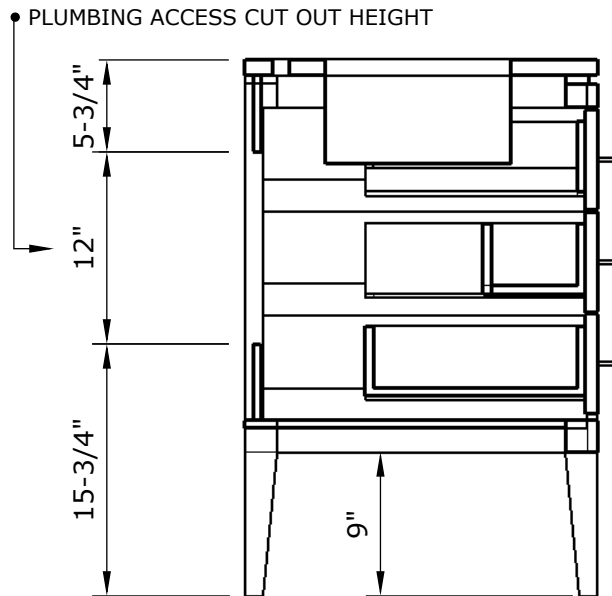
MC 4002-60



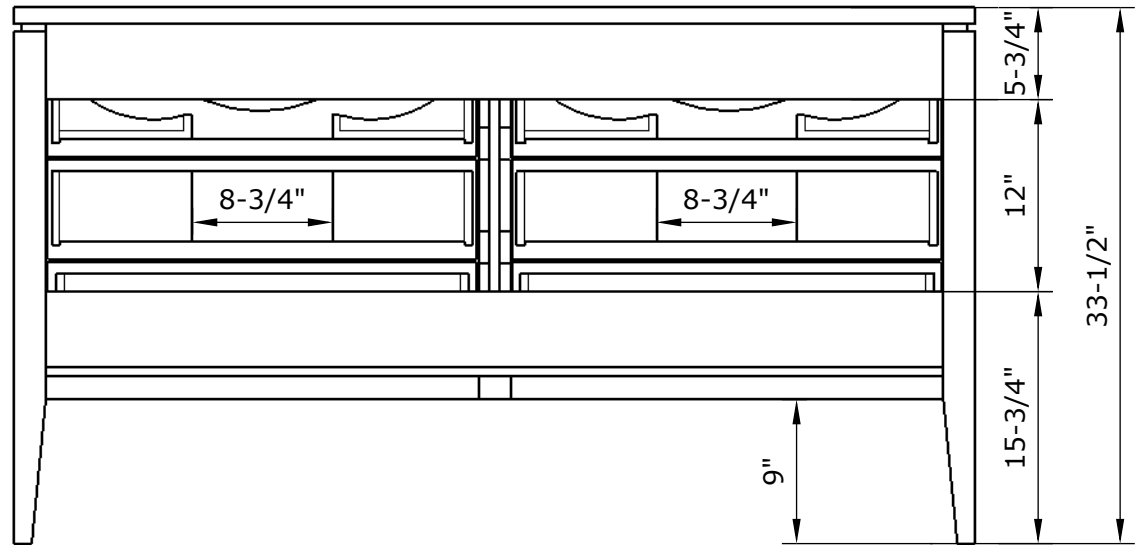
SIDE ELEVATION



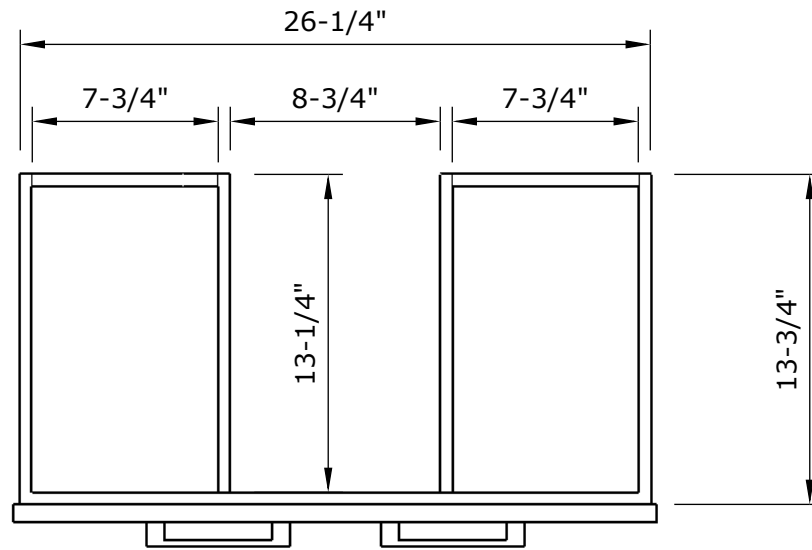
BACK ELEVATION WITHOUT DRAWERS



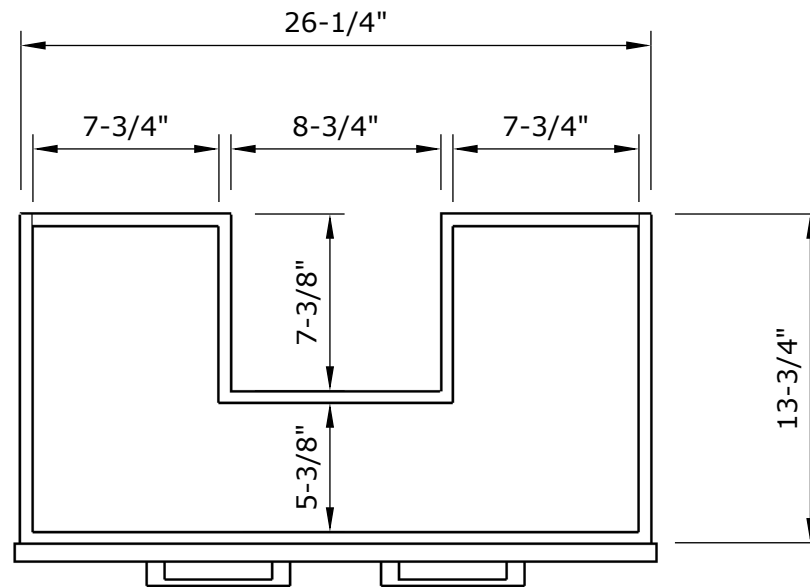
SECTION



BACK ELEVATION WITH DRAWERS



TOP LEFT AND RIGHT DRAWER PLAN



MIDDLE LEFT AND RIGHT DRAWER PLAN