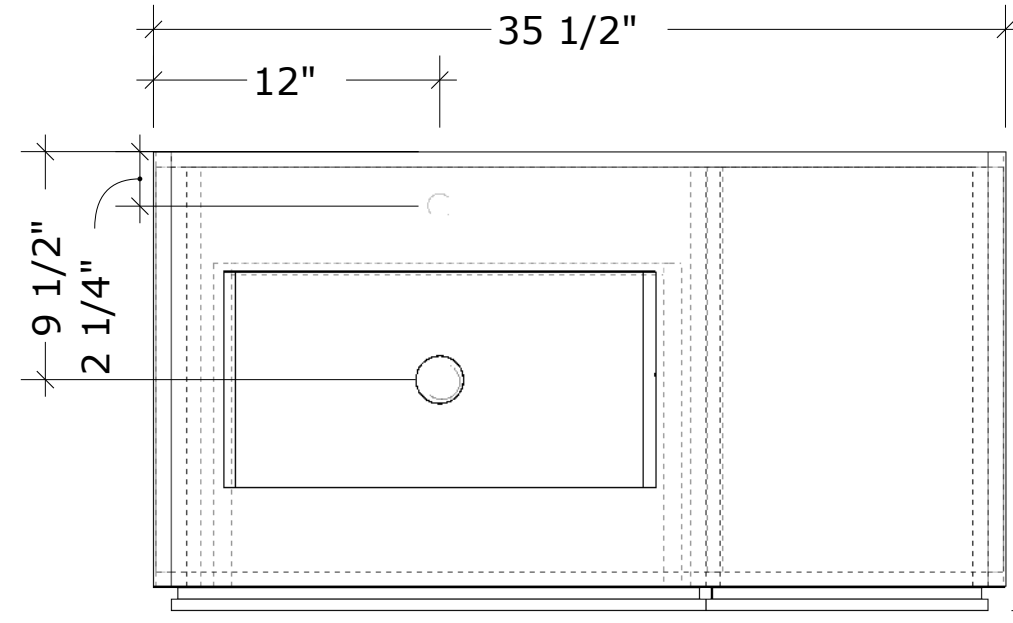
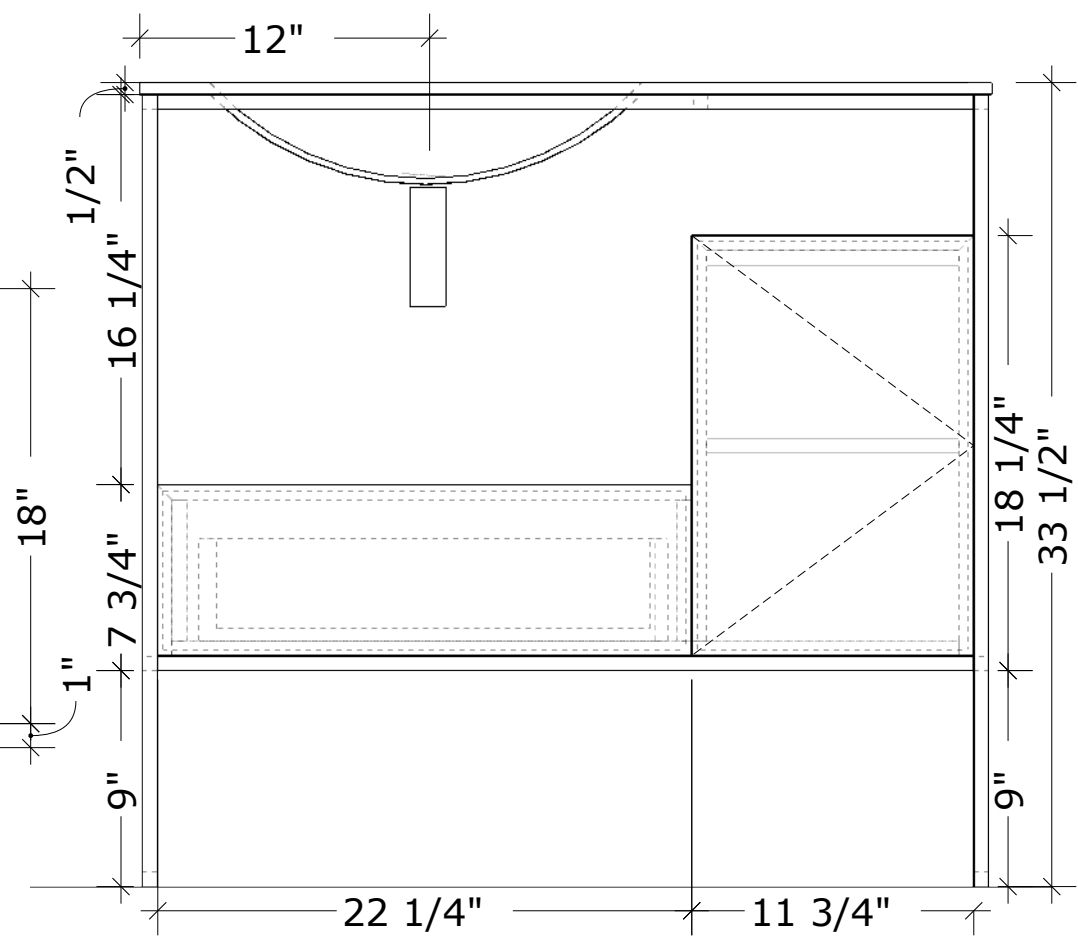




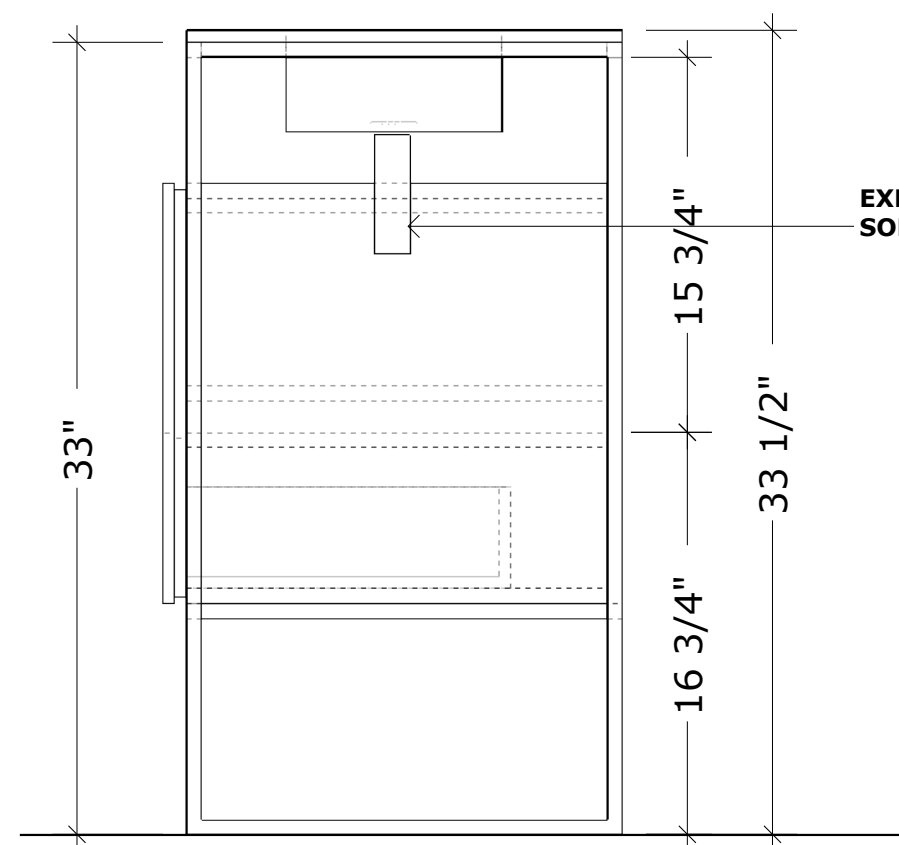
**MODEL NAME: MC 2701**  
PERSPECTIVE



PLAN



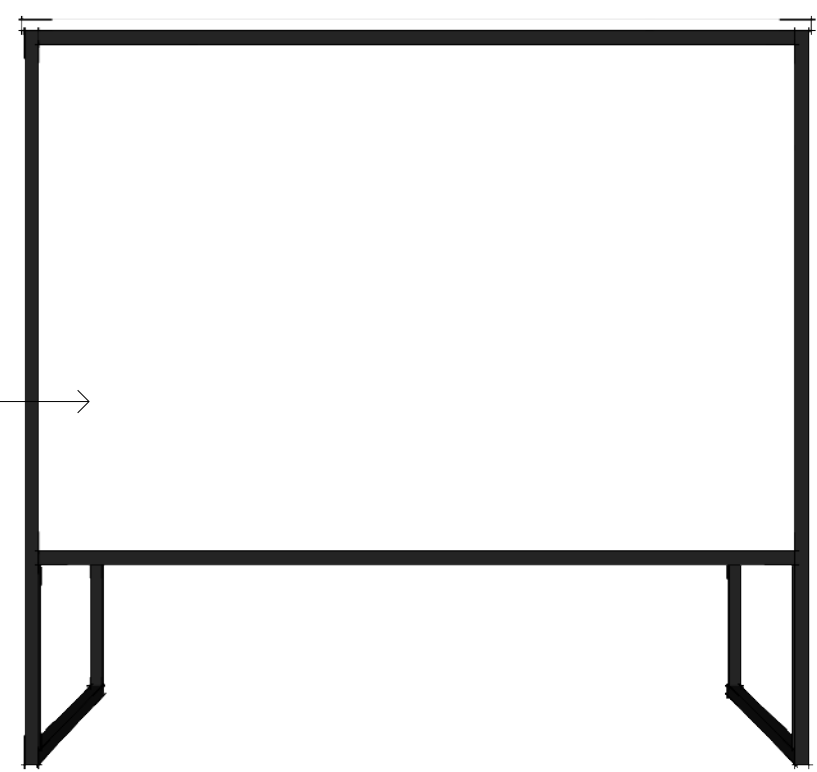
FRONT ELEVATION



SIDE ELEVATION

EXPOSED P-TRAP  
SOLD SEPARATELY

SOLID BACK  
CLIENT TO CUT  
FOR PLUMBING



BACK ELEVATION