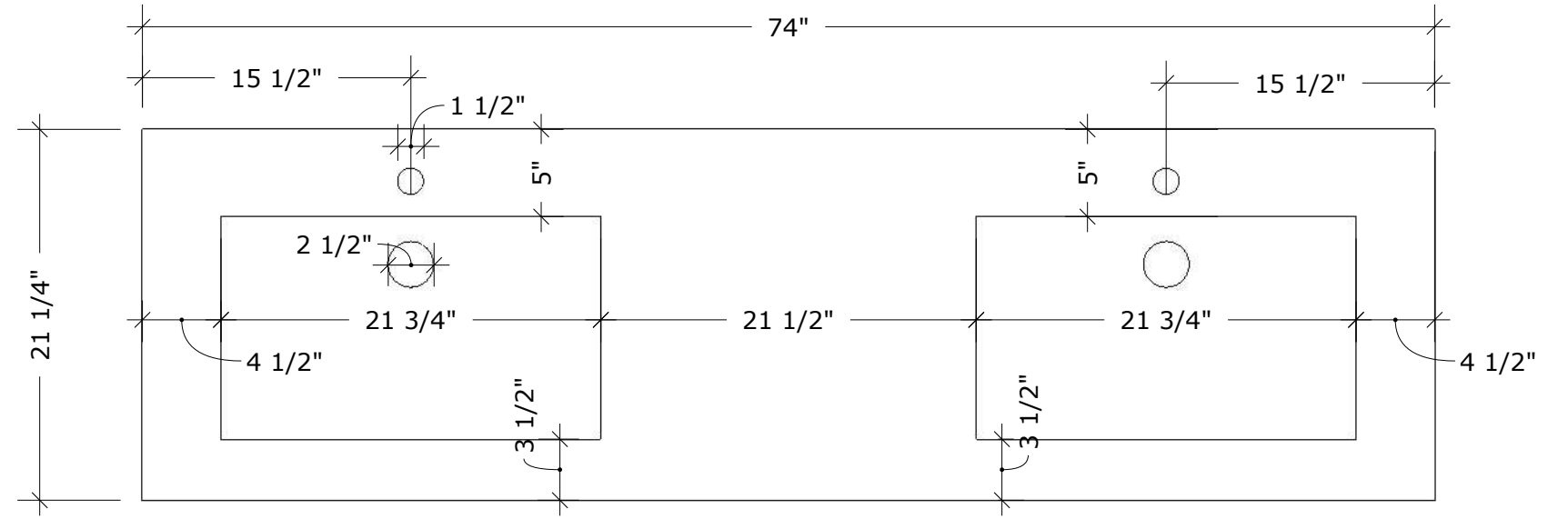
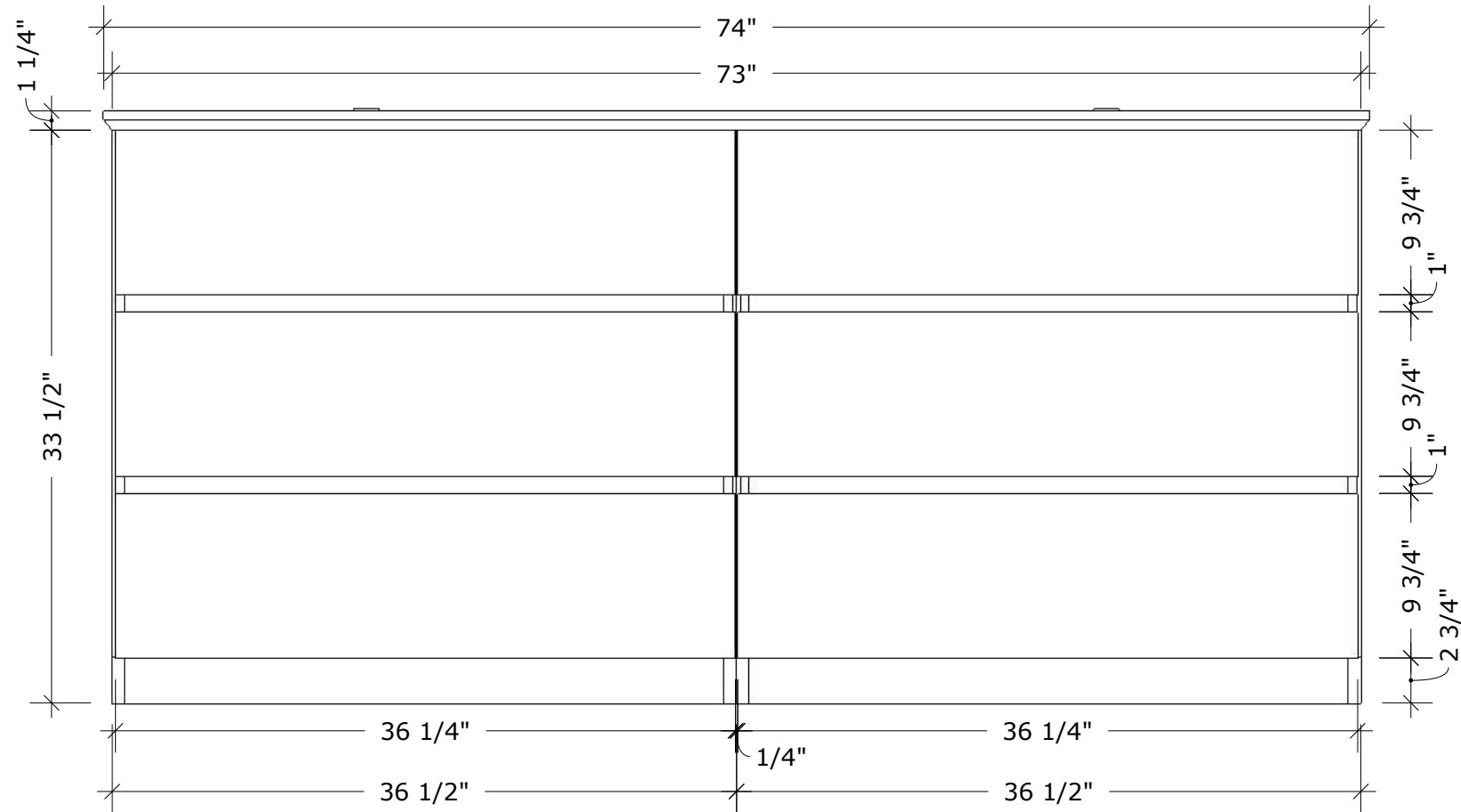


**MODEL NAME:** MC 1880D  
PERSPECTIVE

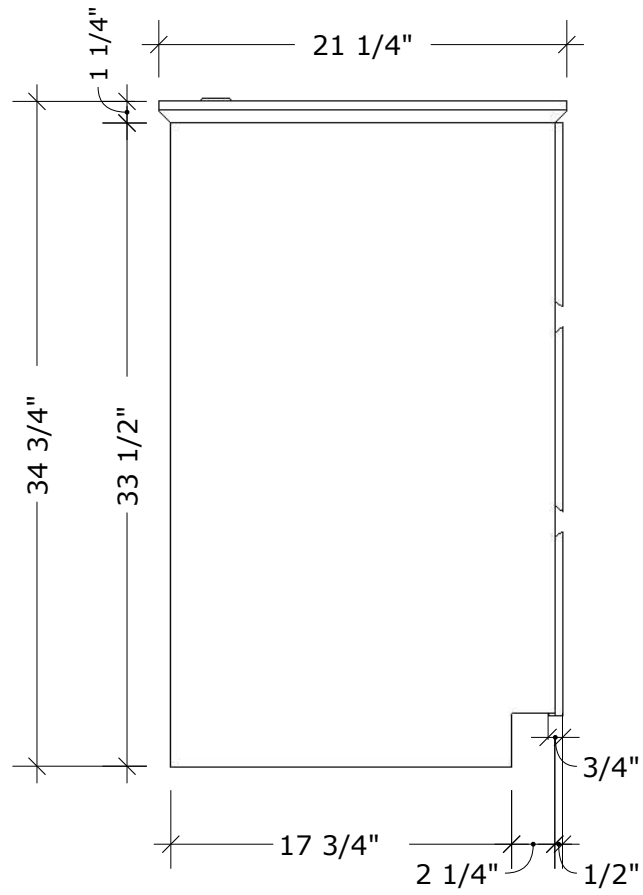


PLAN

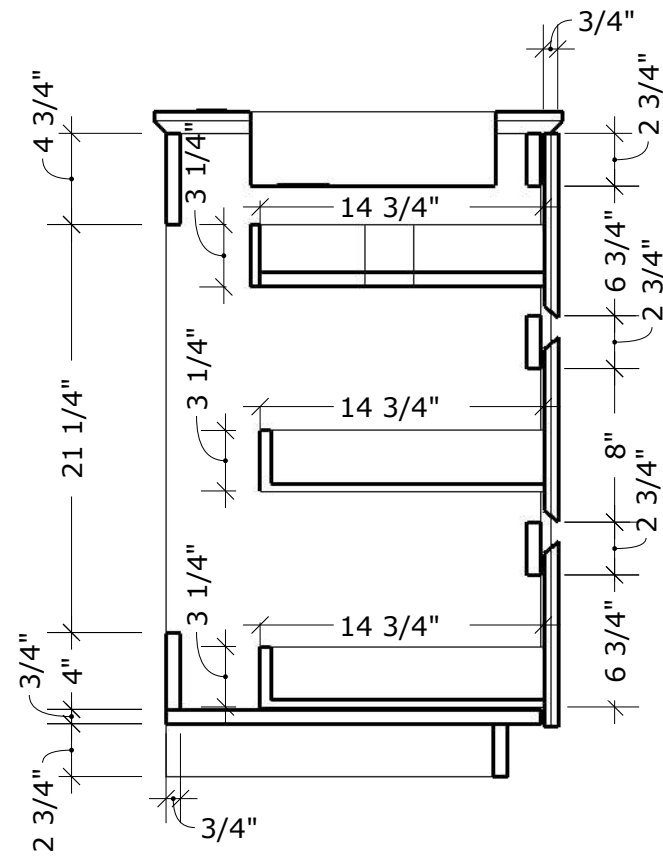


FRONT ELEVATION

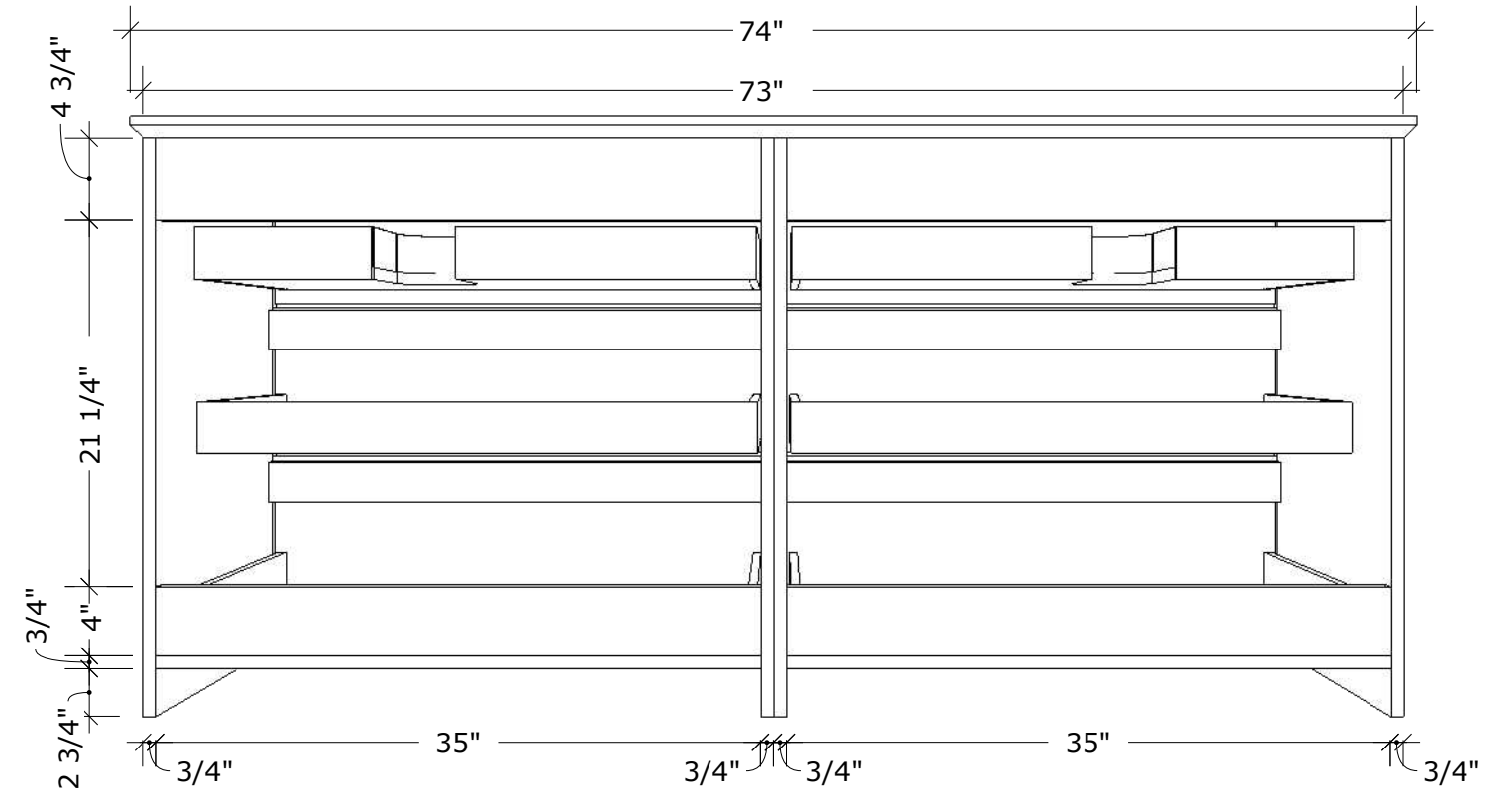
**MODEL NAME: MC 1880D**



SIDE ELEVATION

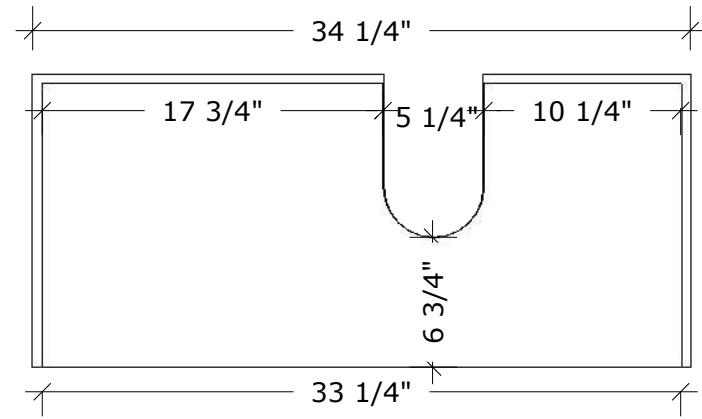


SECTION CUT

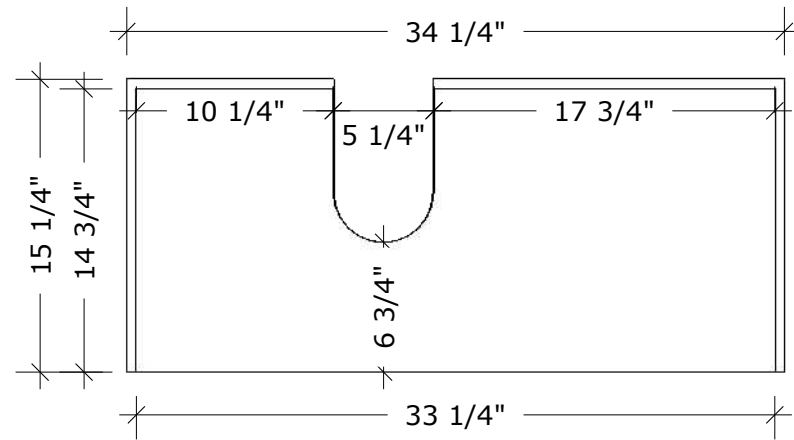


BACK ELEVATION

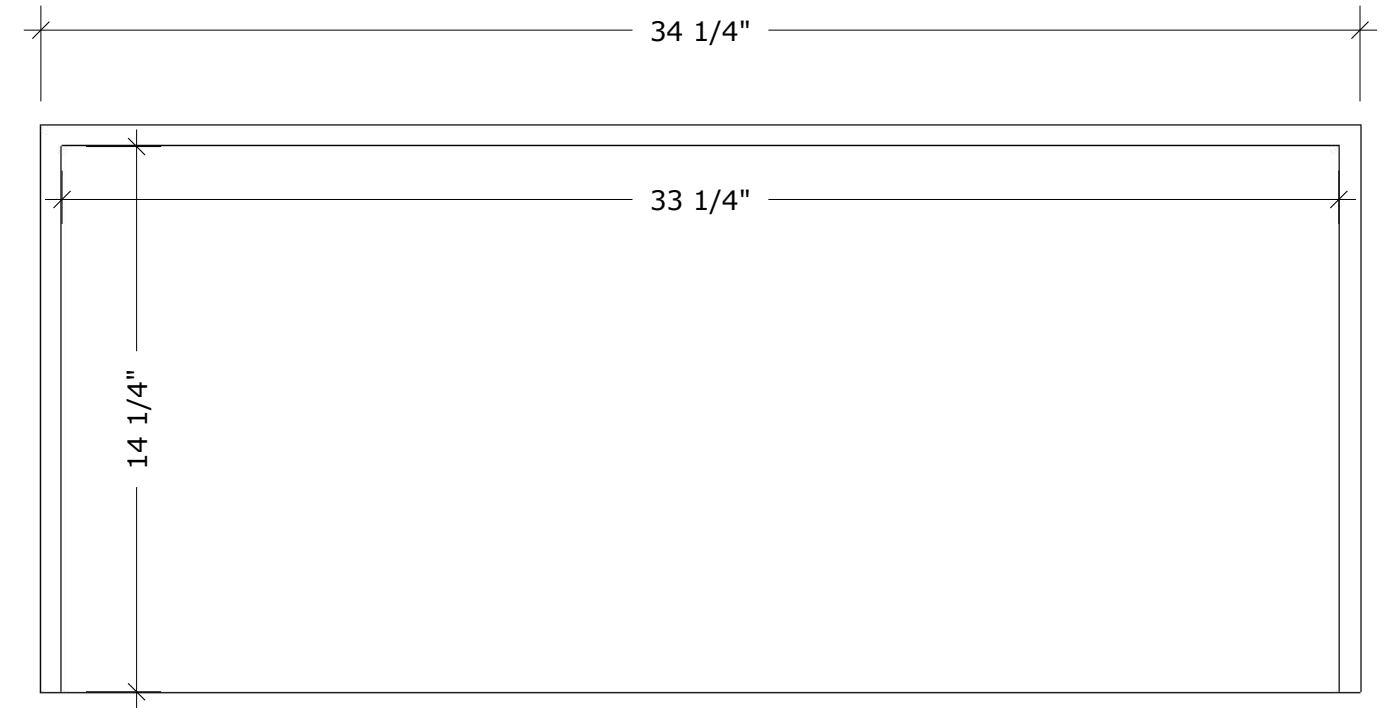
**MODEL NAME: MC 1880D**  
**DRAWERS**



**TOP DRAWER RIGHT  
U SHAPE INSERT**



**TOP DRAWER LEFT  
U SHAPE INSERT**



**BOTTOM DRAWERS  
FULL DRAWER**