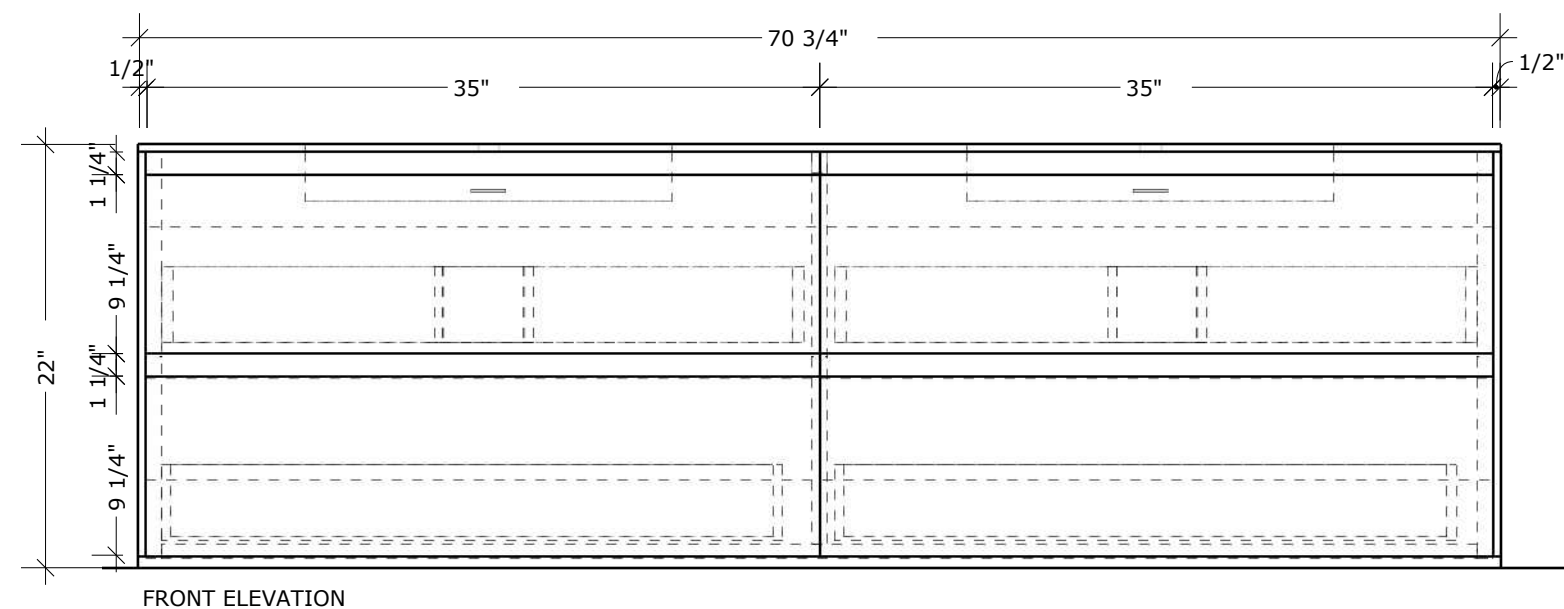
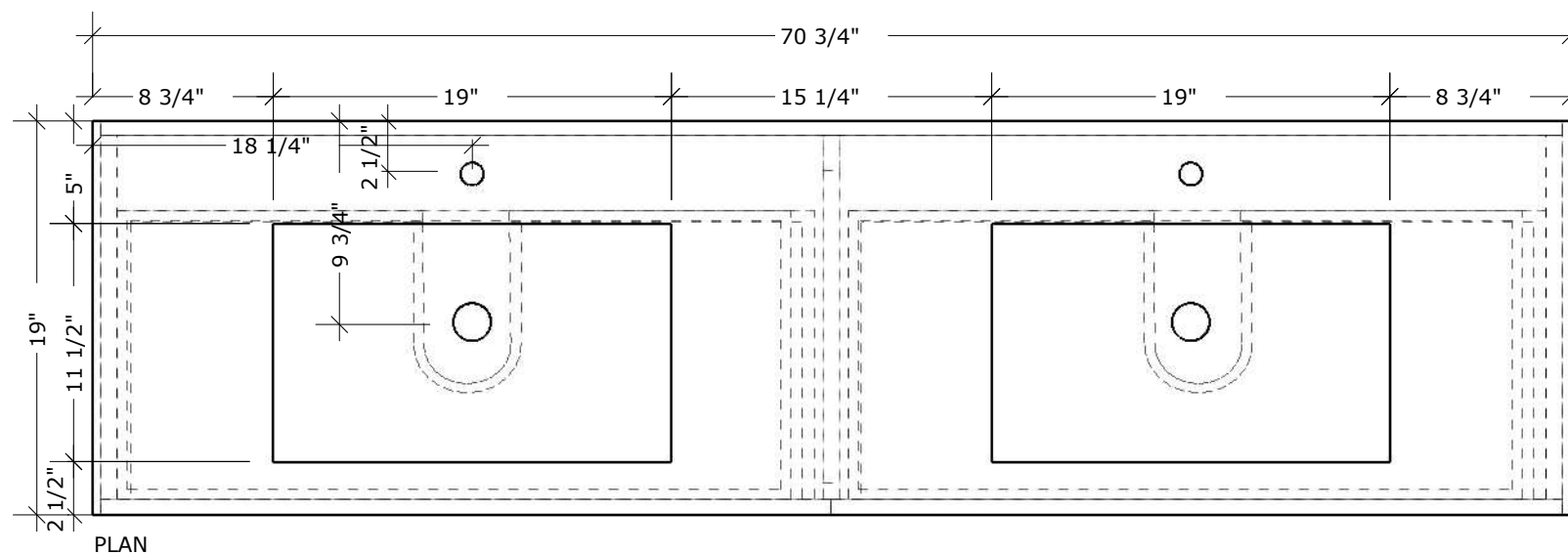
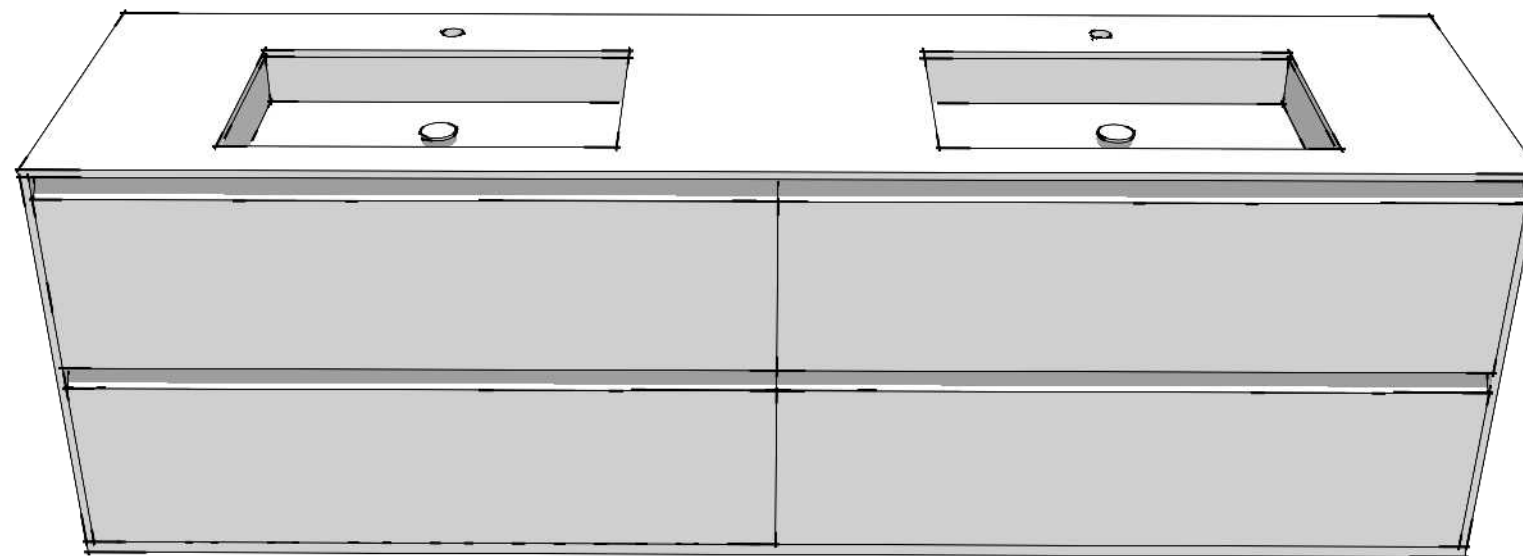


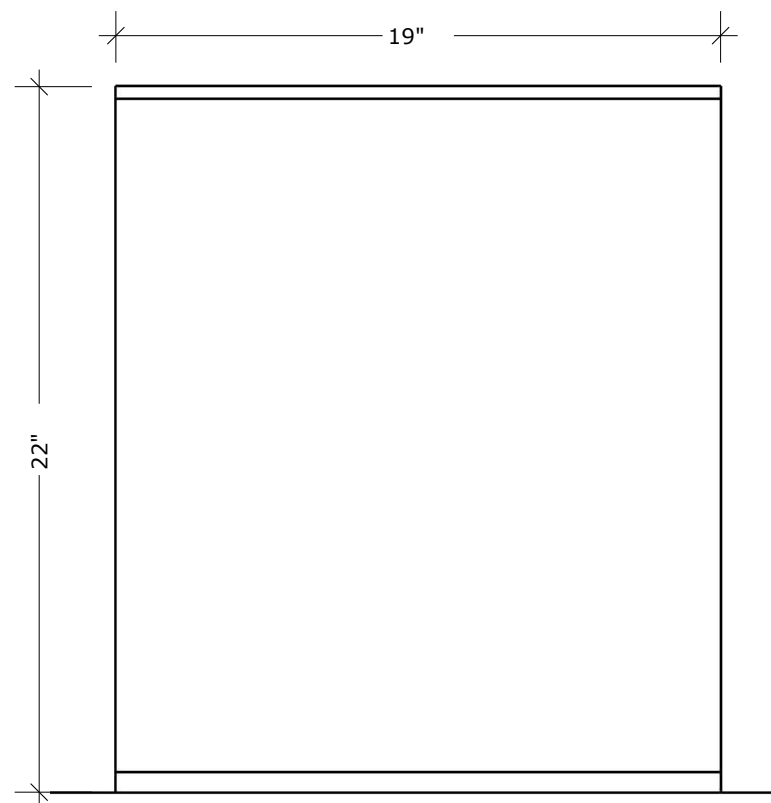
OVERALL DIMENSIONS

W 70 3/4" X H 22" X D 19"



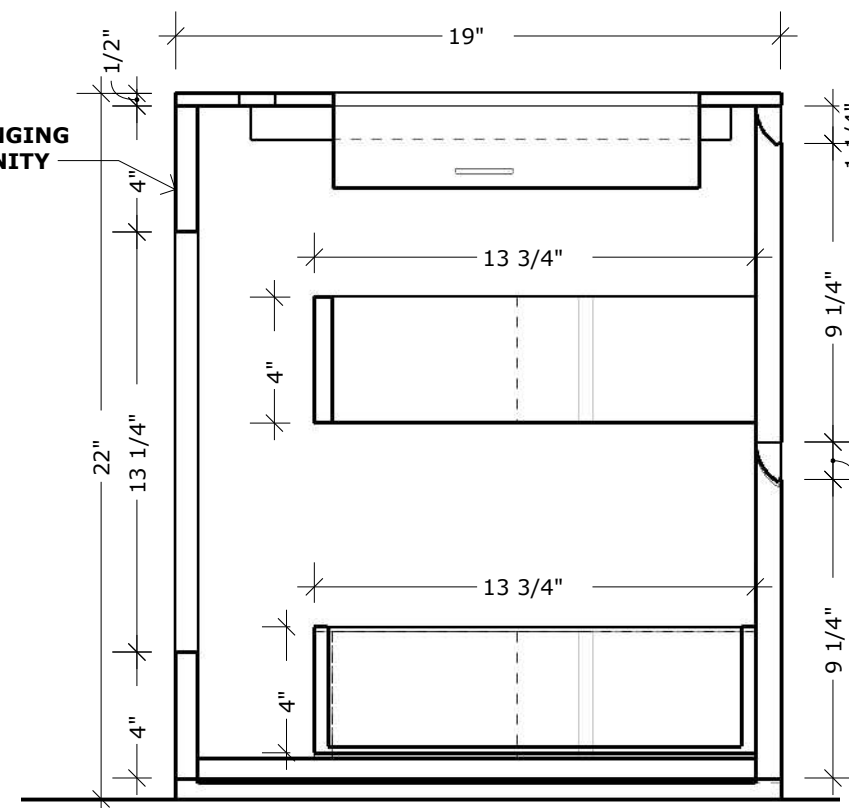
OVERALL DIMENSIONS

W 70 3/4" X H 22" X D 19"

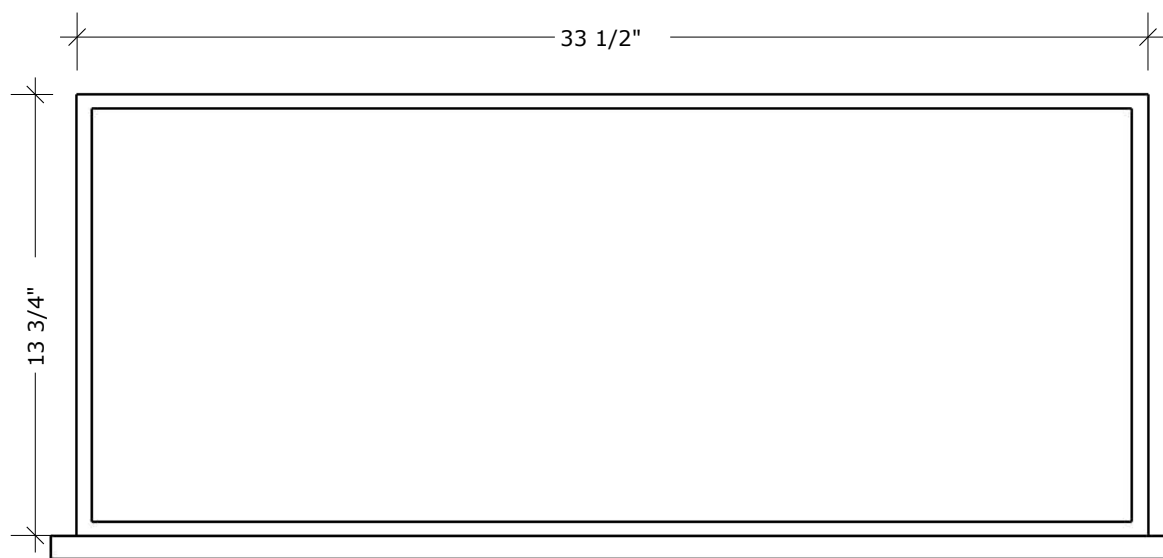


SIDE ELEVATION

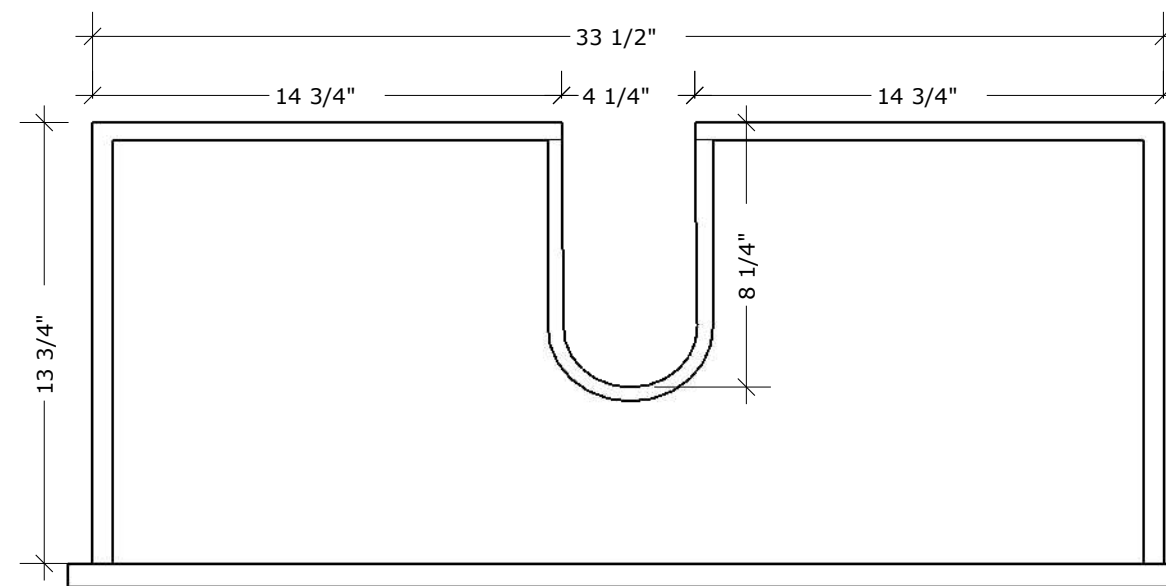
APPROXIMATE HEIGHT OF HANGING MECHANISM FROM TOP OF VANITY

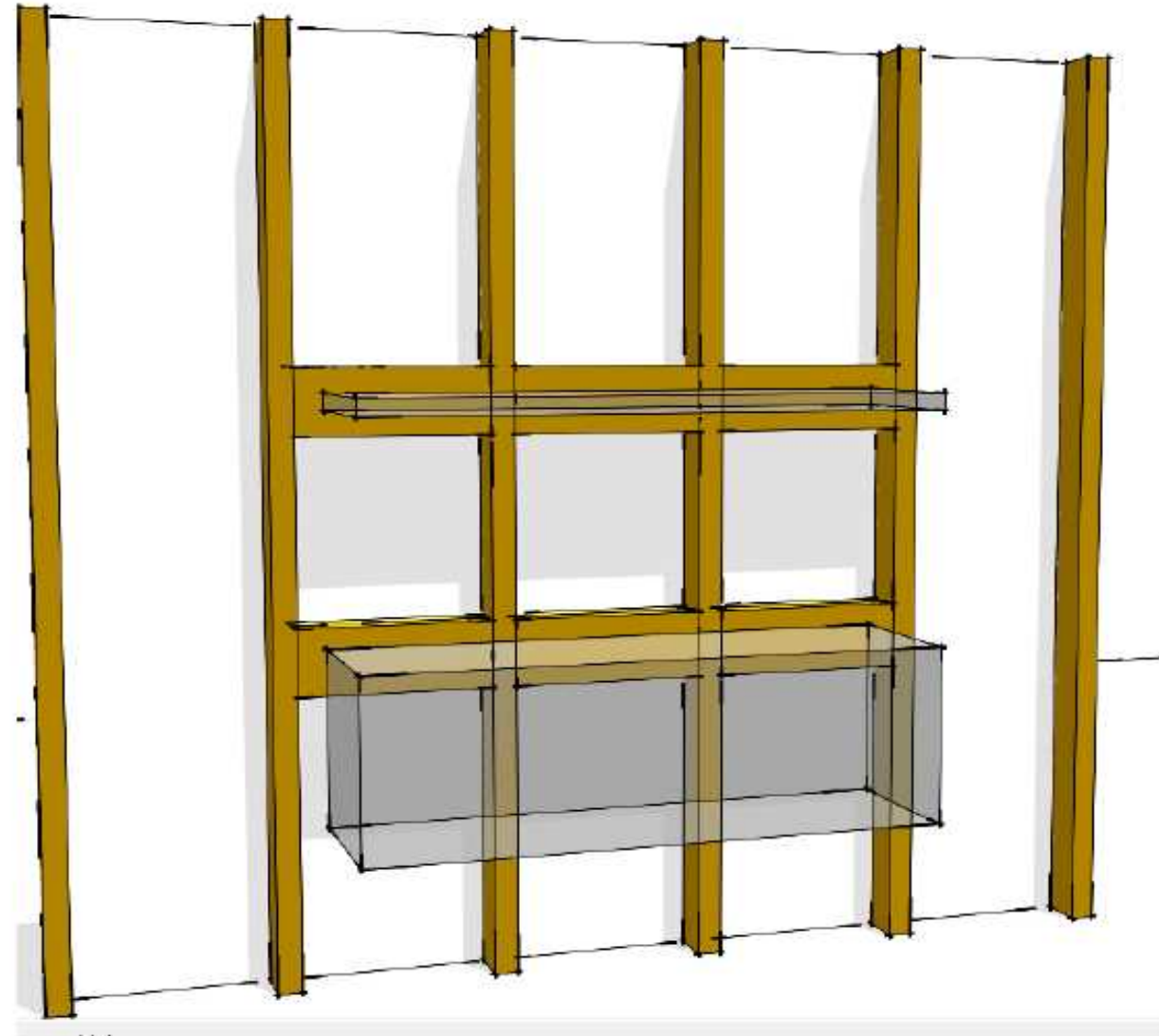


SECTION CUT



DRAWERS





FLOATING VANITY / SHELVING

FLOATING SHELVES AND/OR CABINETS ARE REQUIRED TO BE REINFORCED WITH TWO OR THREE LAYERS OF 2X6 STUDS BETWEEN THE STUDS.

FOR VANITY, HEIGHT OF BLOCKING SHOULD BE AT THE TOP OF THE CABINETS (NOT INCLUDING COUNTERTOP)