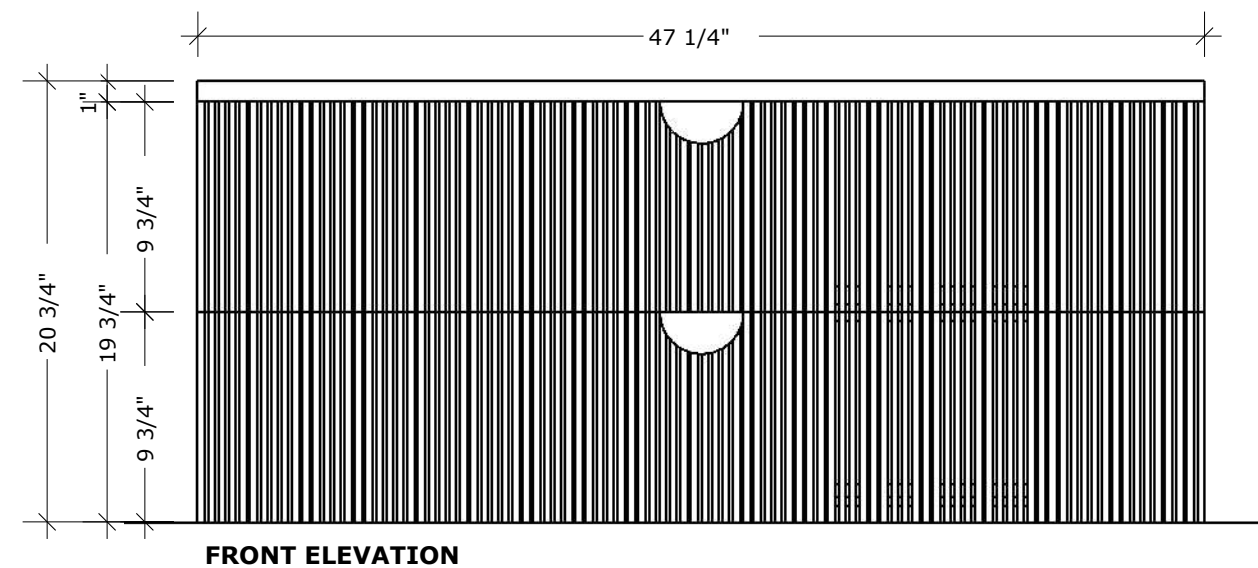
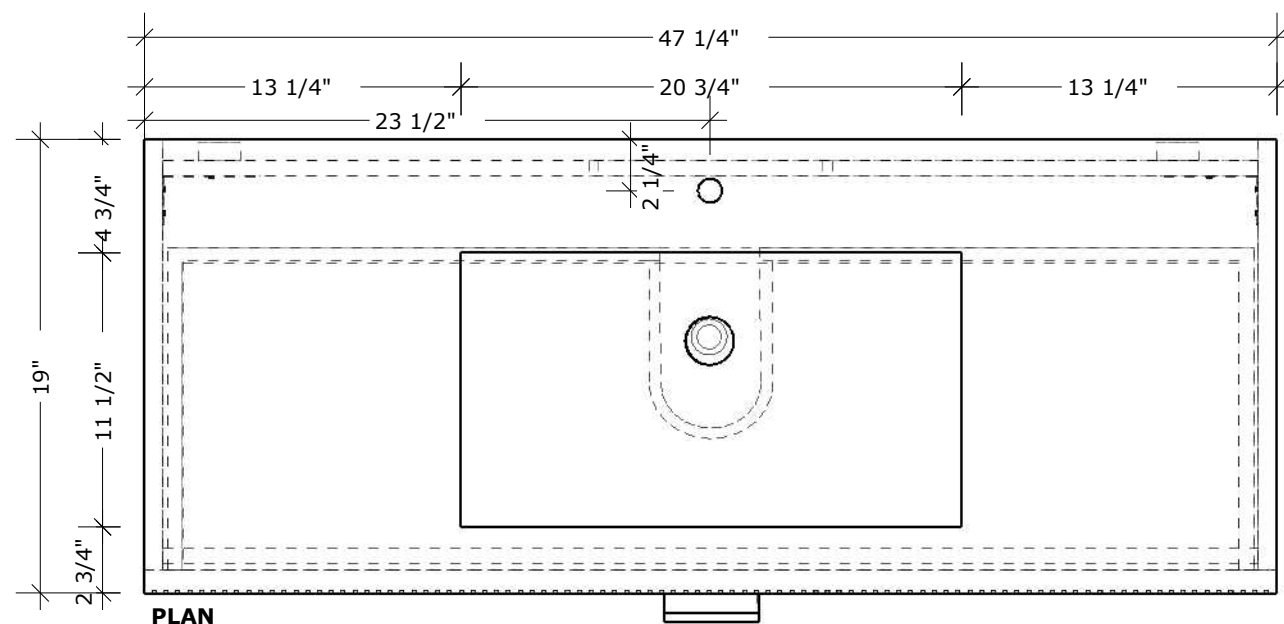
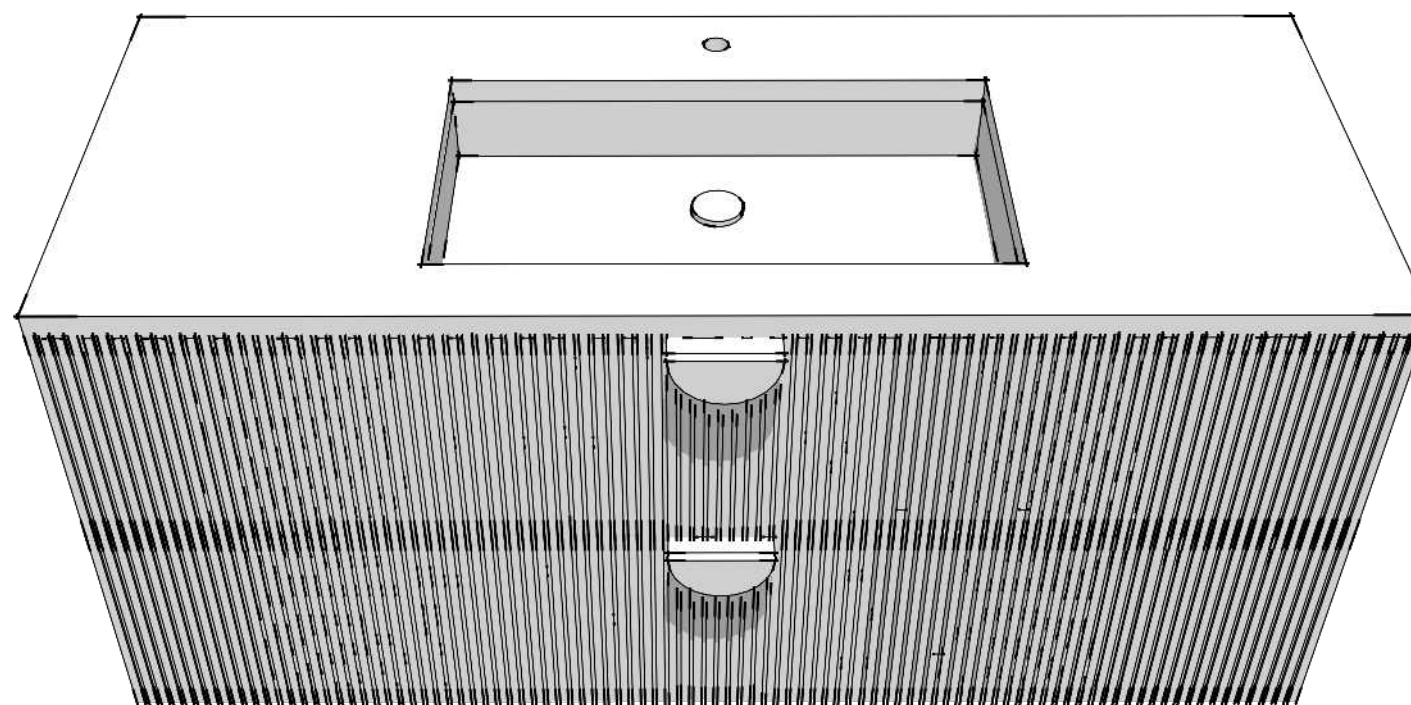


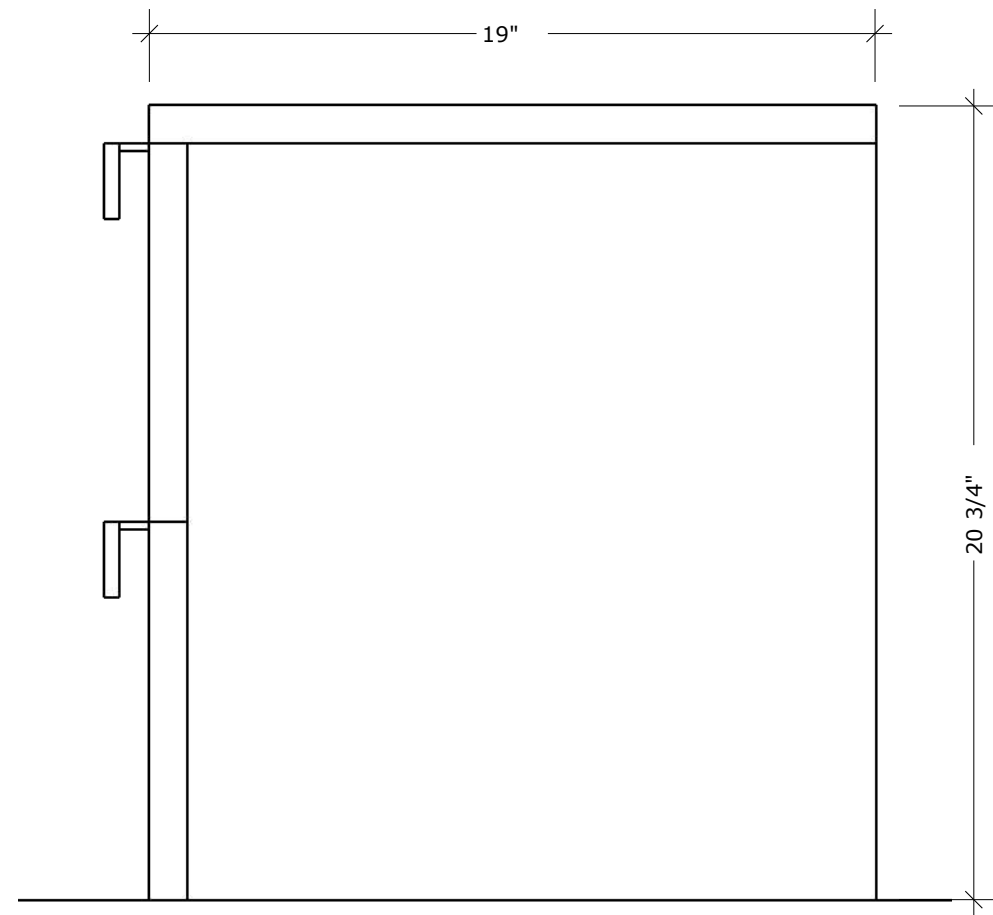
**OVERALL
DIMENSIONS**

W 47 1/4" X H 20 3/4" X D 19"

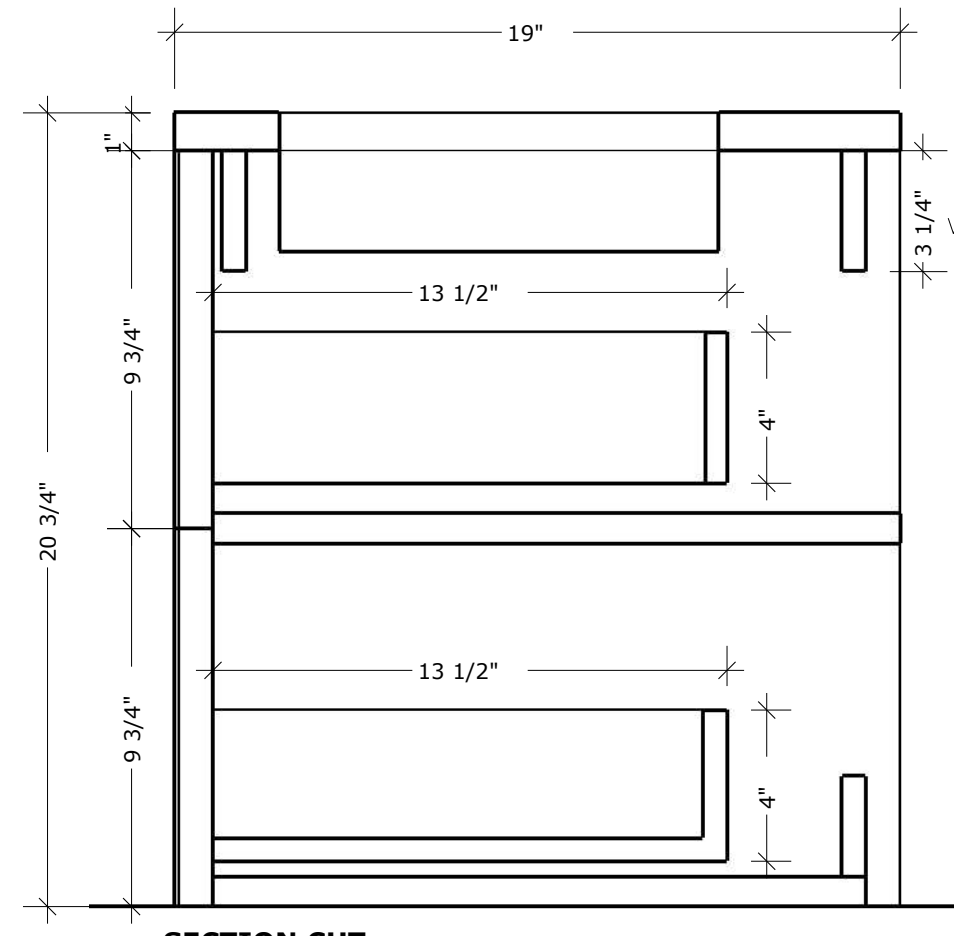


**OVERALL
DIMENSIONS**

W 47 1/4" X H 20 3/4" X D 19"

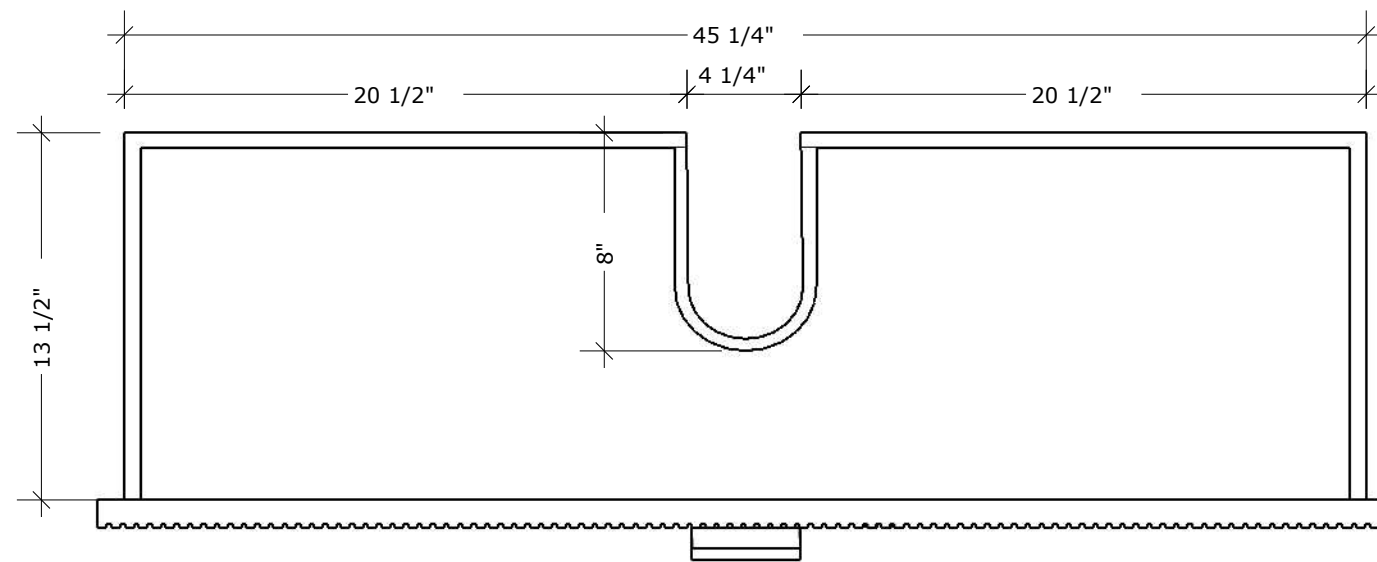


SIDE ELEVATION

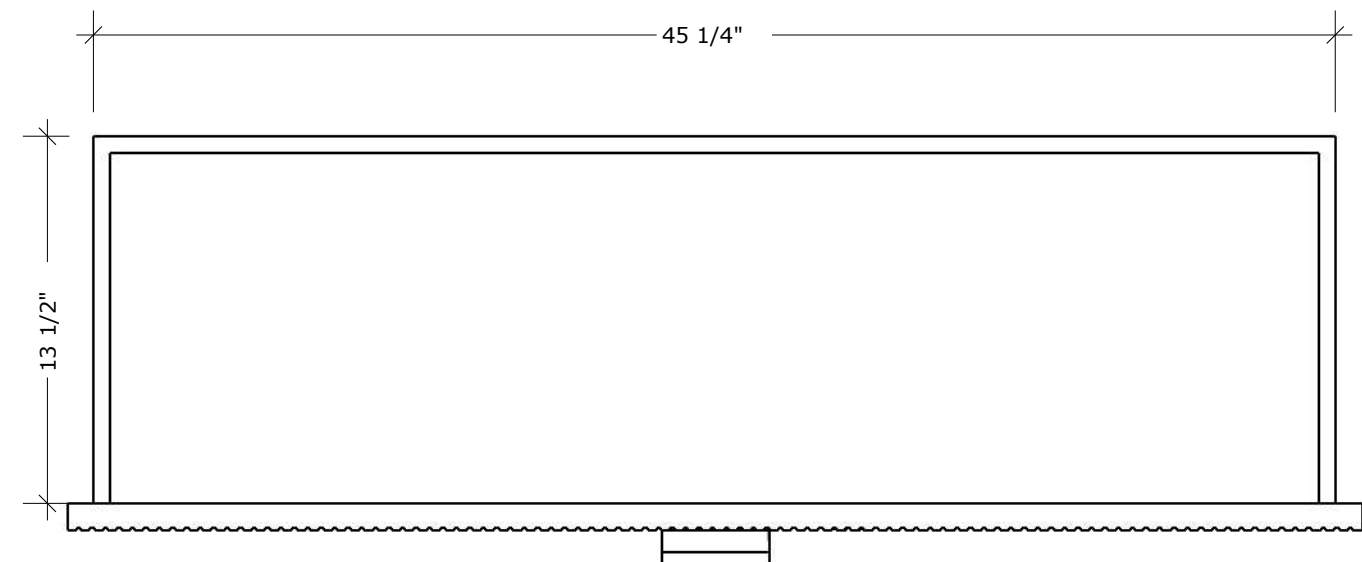


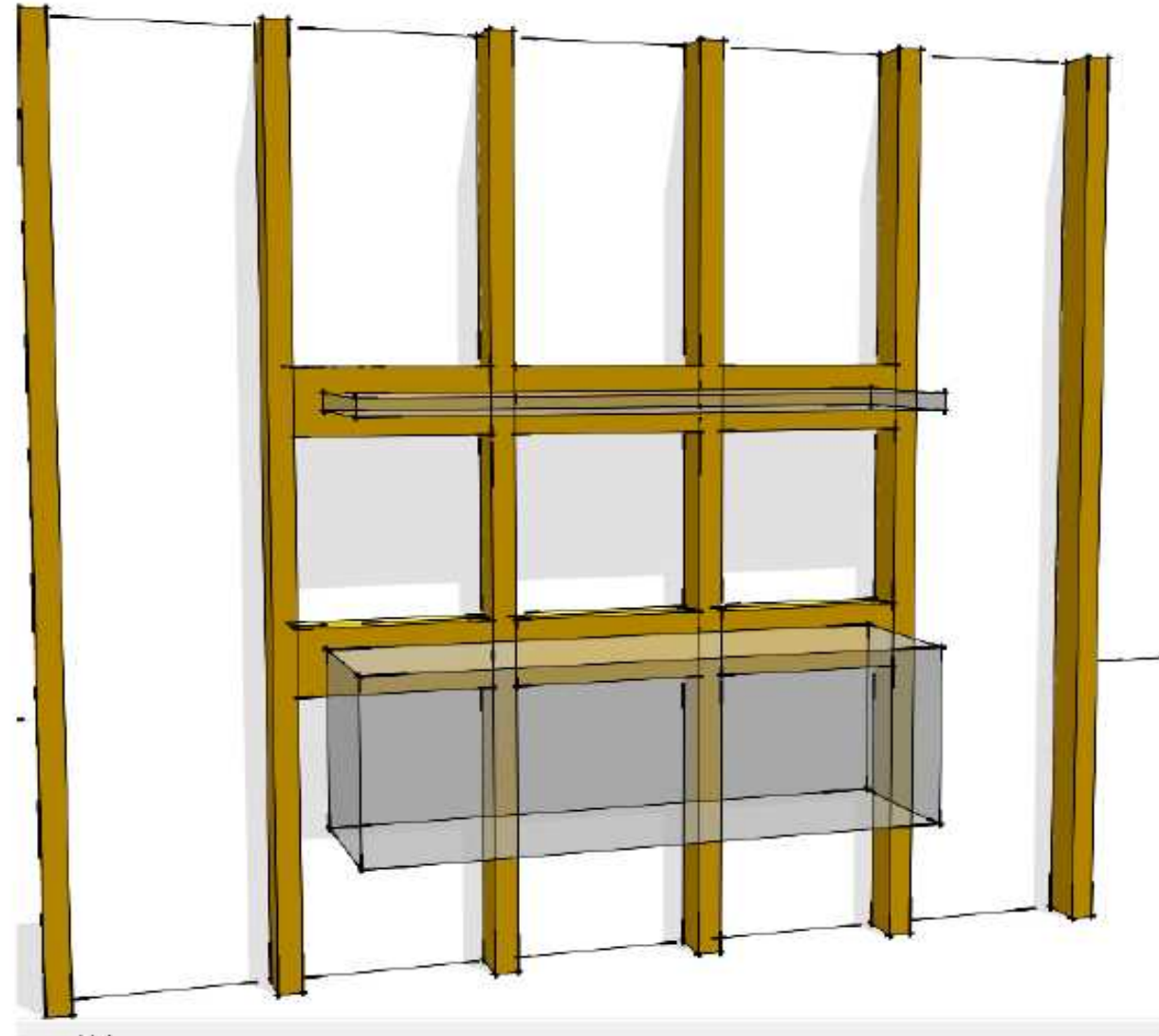
SECTION CUT

**APPROXIMATE HEIGHT OF
HANGING MECHANISM
FROM TOP OF VANITY**



DRAWERS





FLOATING VANITY / SHELVING

FLOATING SHELVES AND/OR CABINETS ARE REQUIRED TO BE REINFORCED WITH TWO OR THREE LAYERS OF 2X6 STUDS BETWEEN THE STUDS.

FOR VANITY, HEIGHT OF BLOCKING SHOULD BE AT THE TOP OF THE CABINETS (NOT INCLUDING COUNTERTOP)