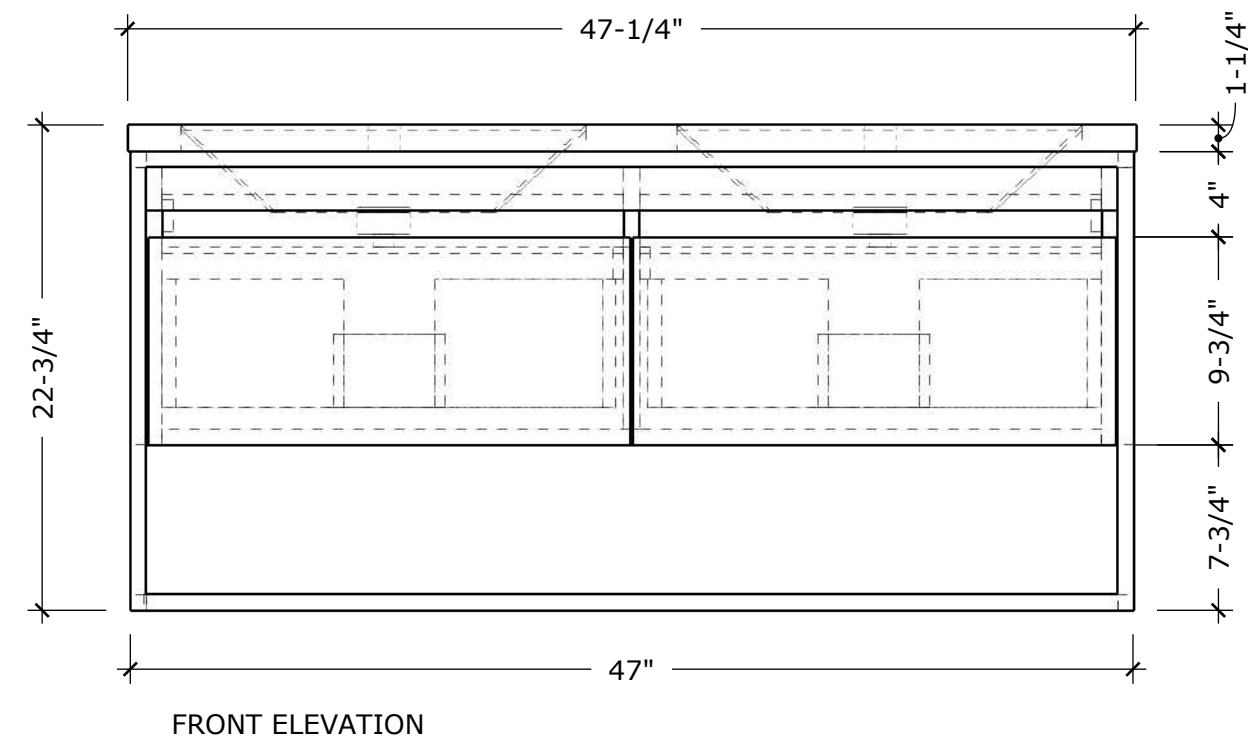
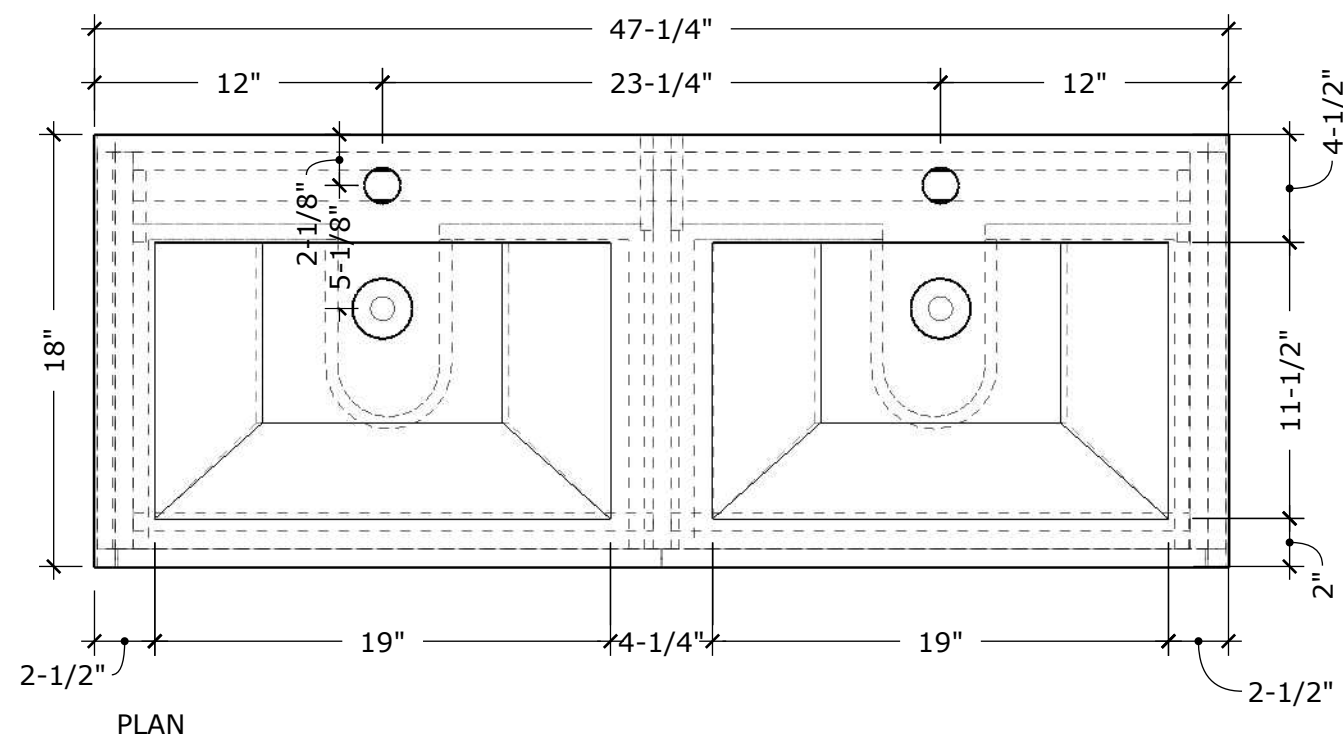
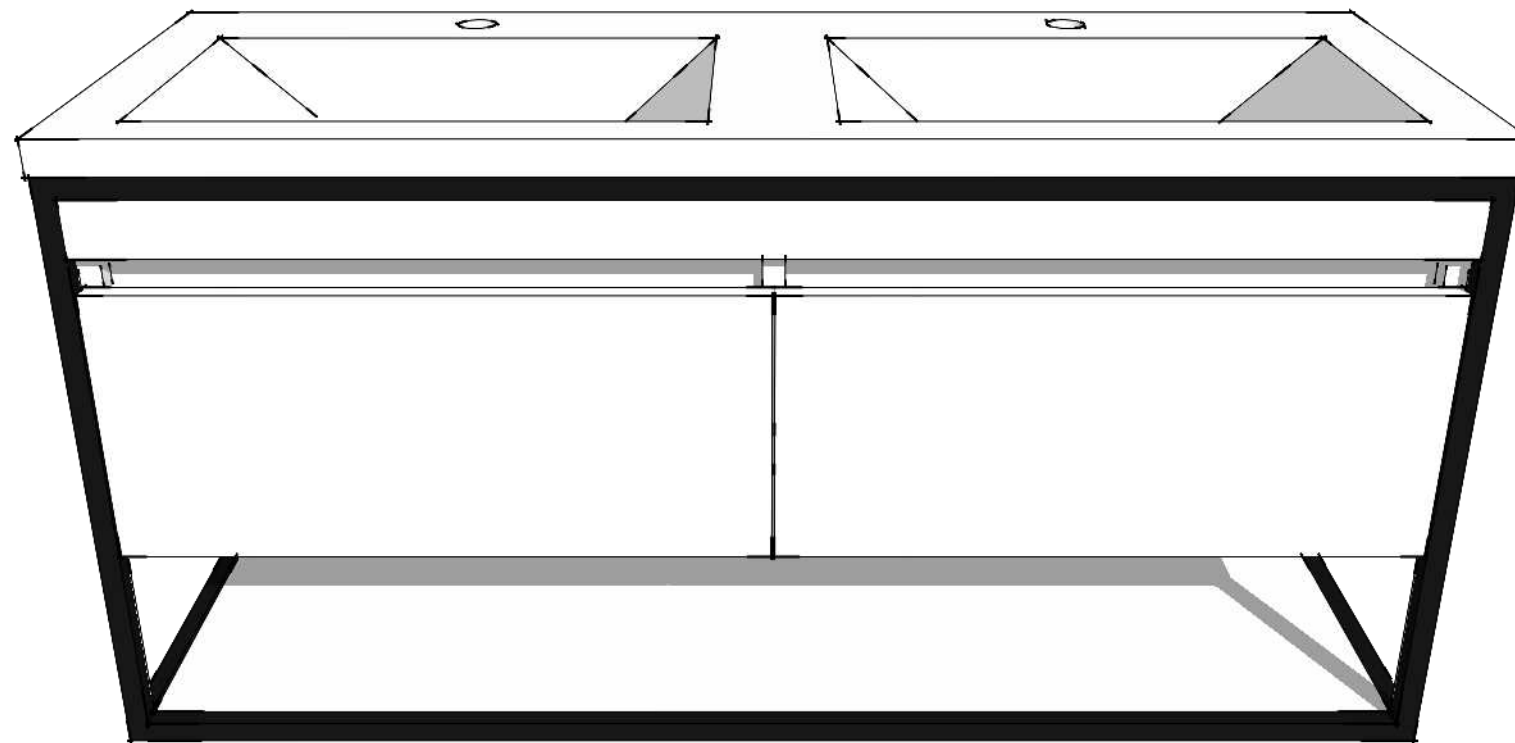


**OVERALL
DIMENSIONS**

W 47 1/4" X H 23" X D 18"



VENETO BATH

PRODUCT CODE
MC 1200MB

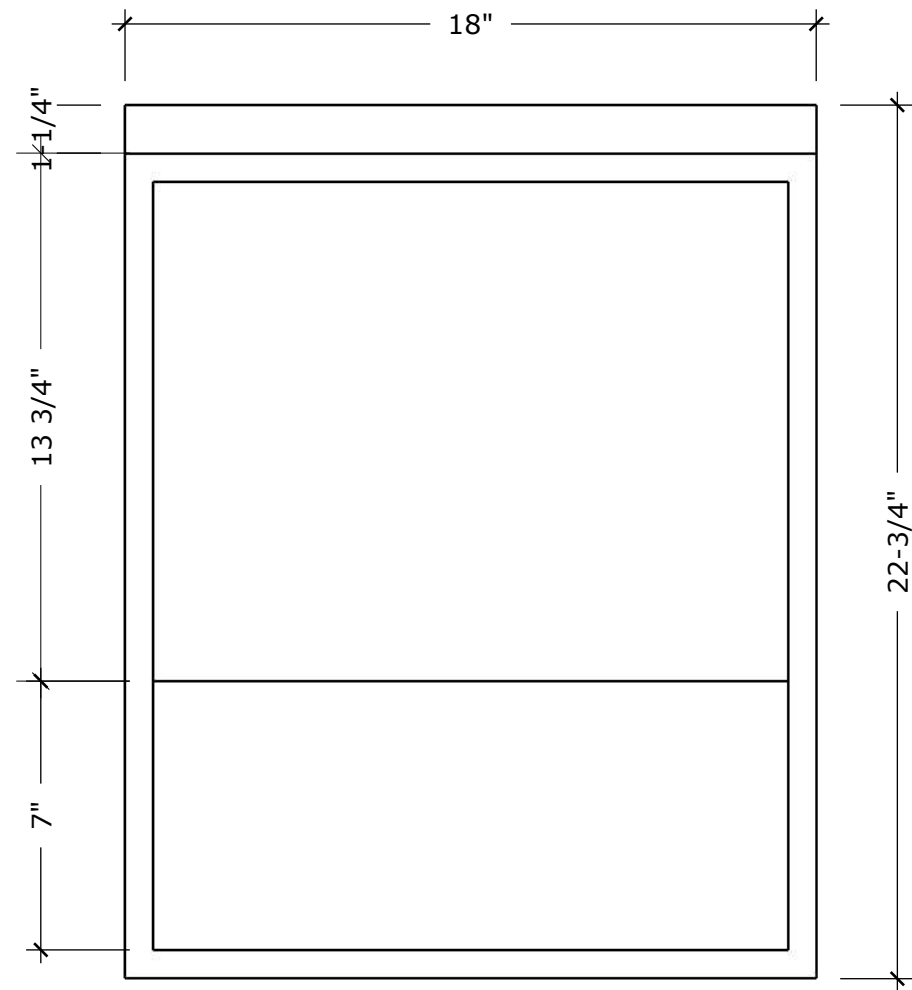
venetobath.com

LAST EDITED
JULY 22, 2021

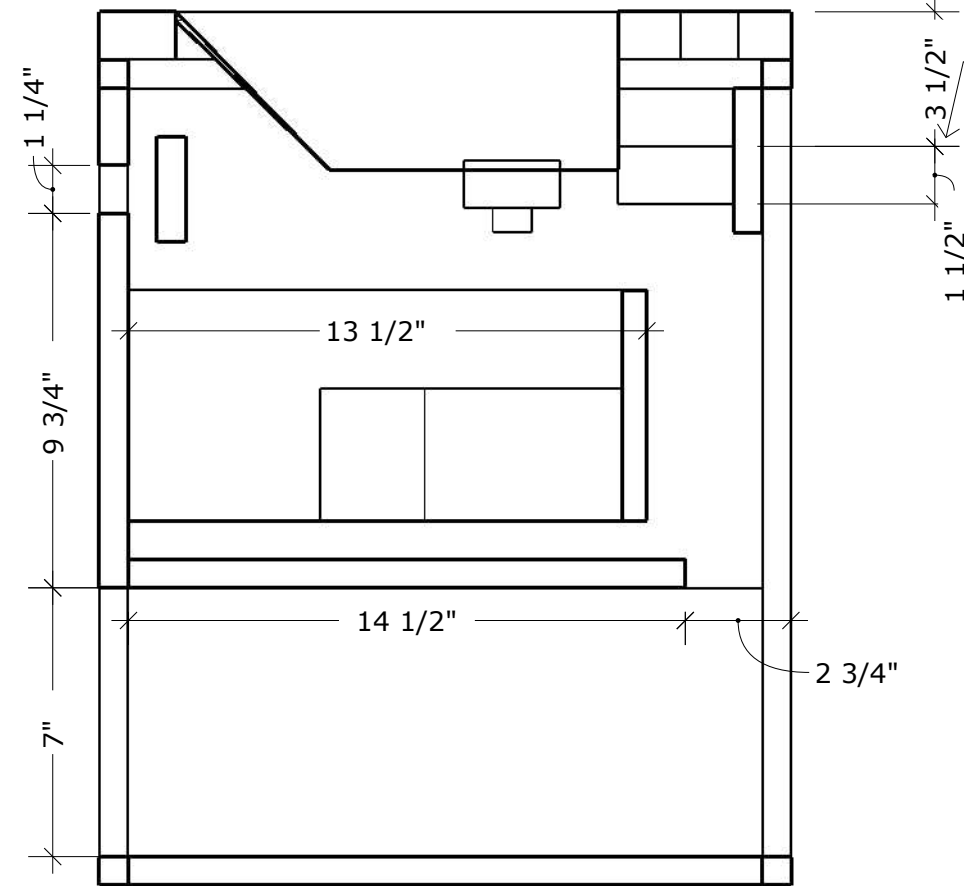
**OVERALL
DIMENSIONS**

W 47 1/4" X H 22 3/4" X D 18"

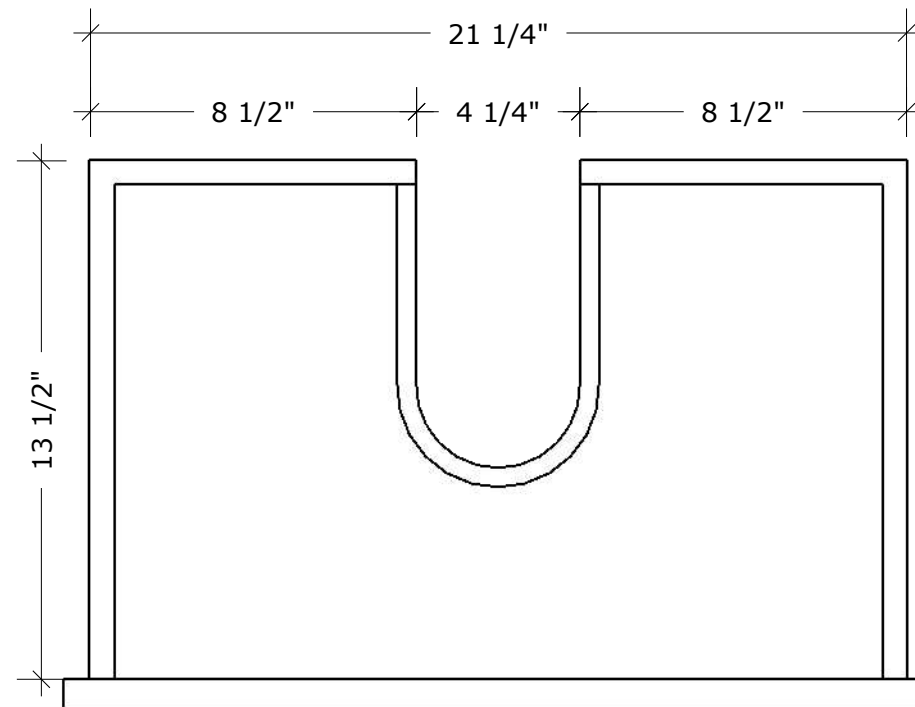
**APPROXIMATE HEIGHT OF
HANGING MECHANISM
FROM TOP OF VANITY**



SIDE ELEVATION



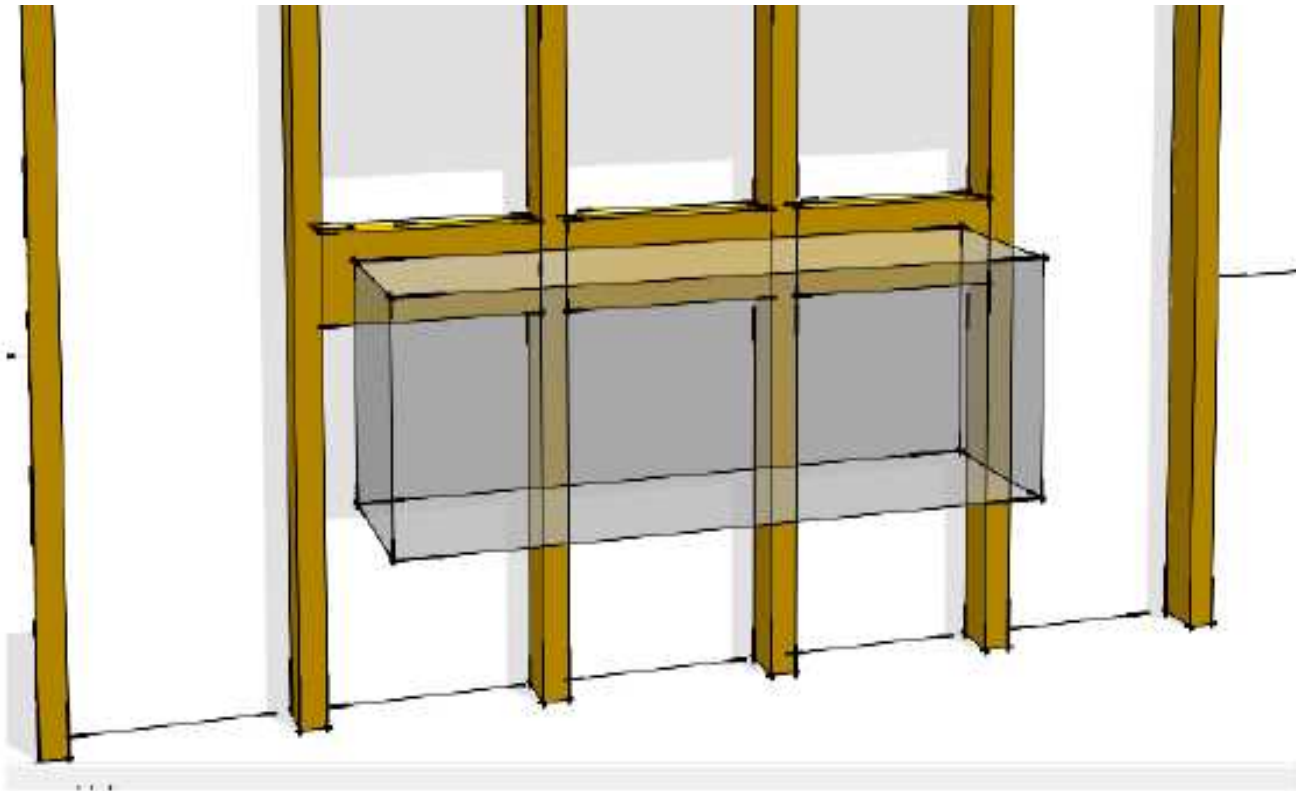
SECTION CUT



DRAWER

PRODUCT CODE
MC 1200MB

VENETO BATH



FLOATING VANITY

FLOATING CABINETRY ARE REQUIRED TO BE REINFORCED WITH TWO OR THREE LAYERS OF 2X6 STUDS BETWEEN THE STUDS.

FOR VANITY, HEIGHT OF BLOCKING SHOULD BE AT THE TOP OF THE CABINETRY (NOT INCLUDING COUNTERTOP)