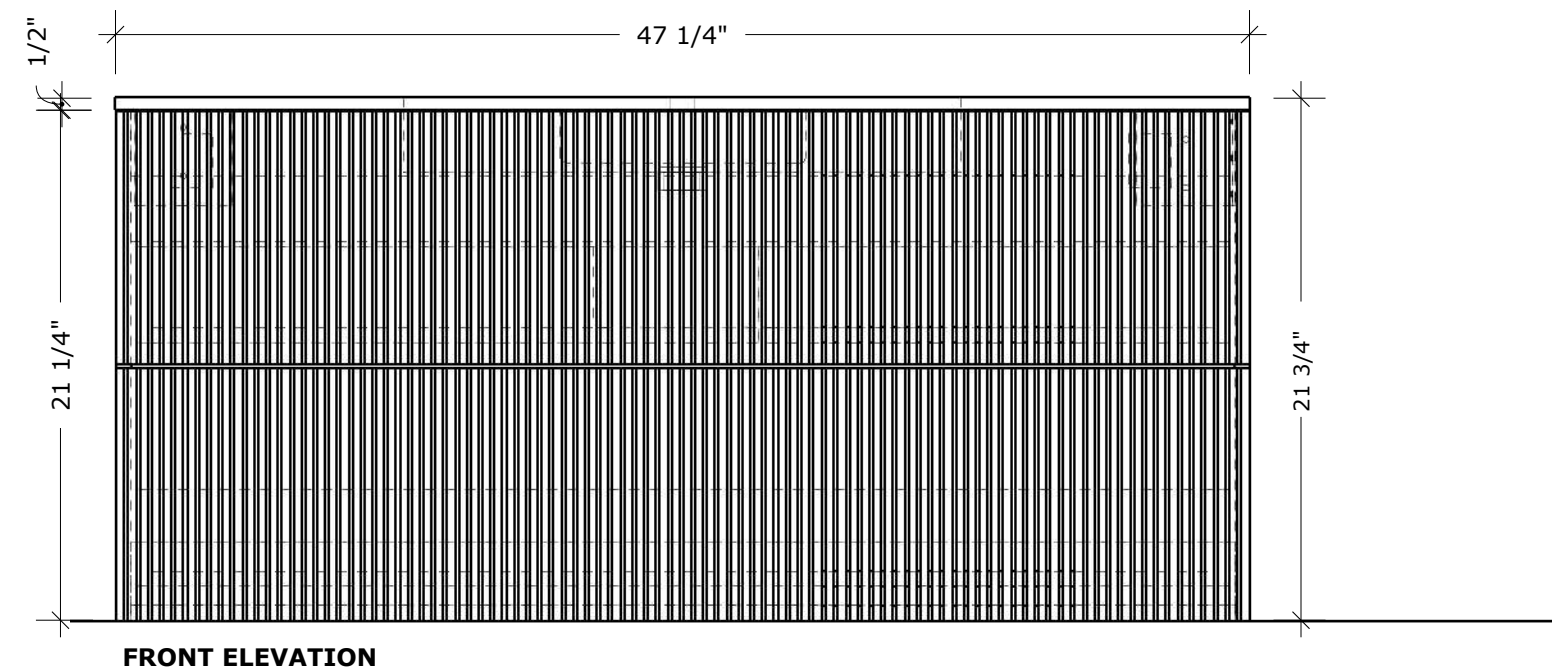
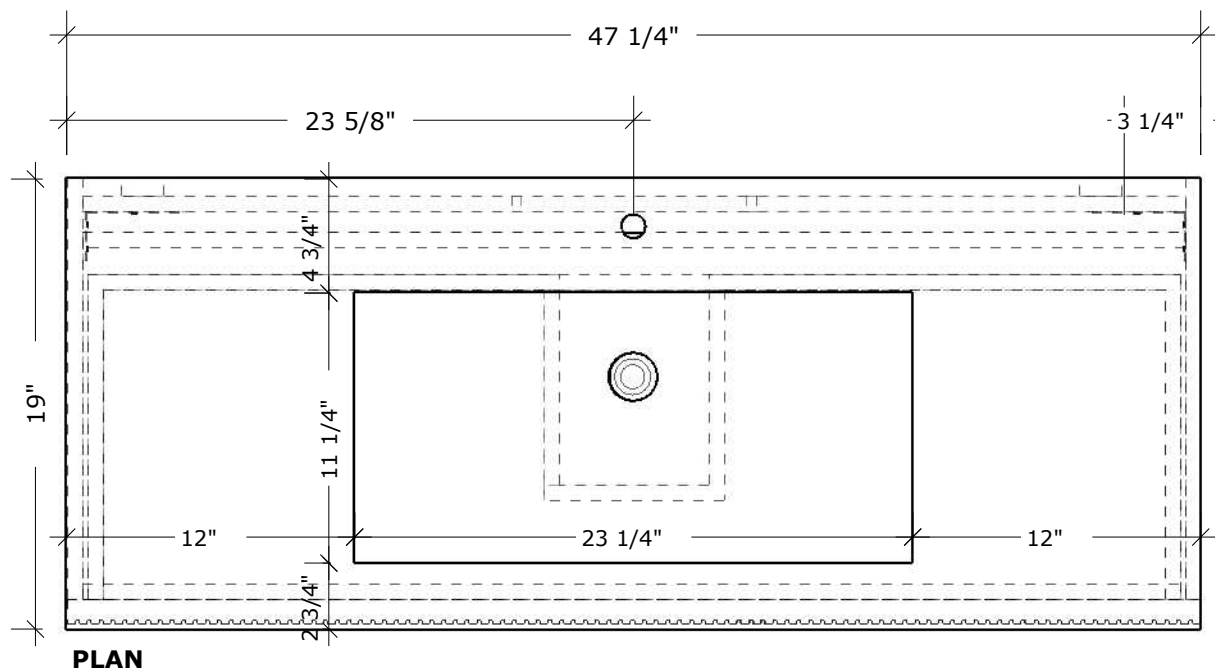
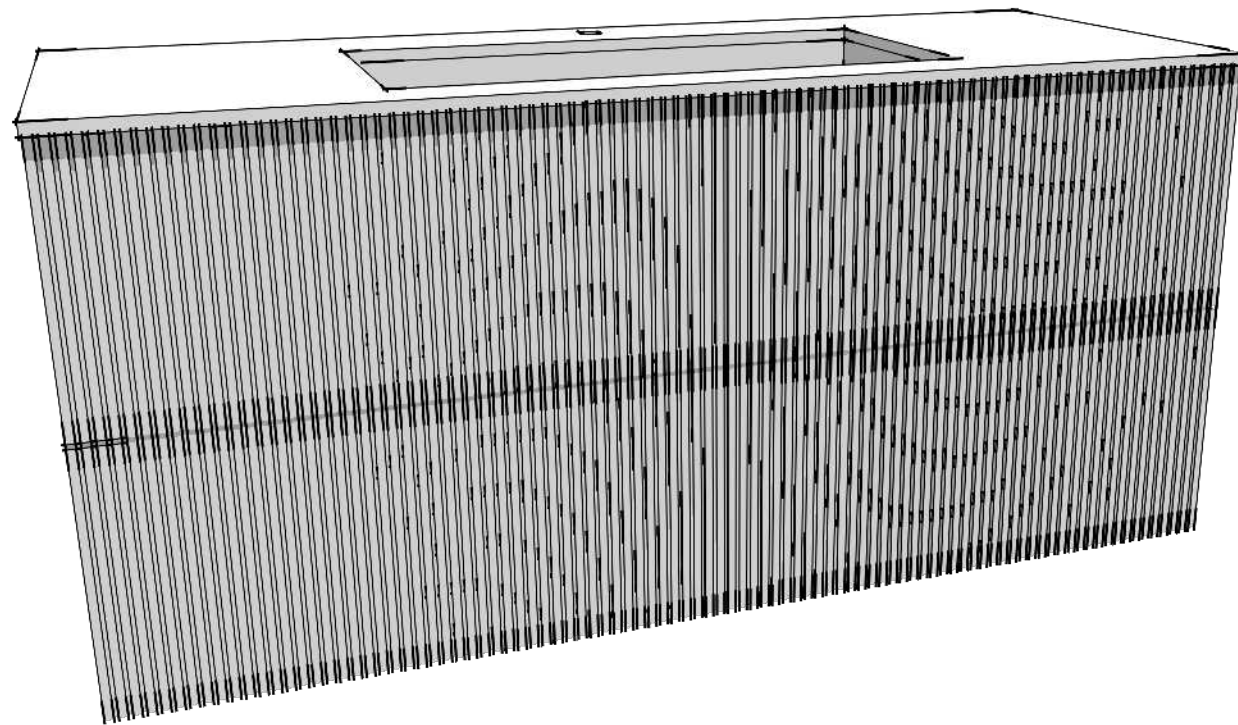


**OVERALL
DIMENSIONS**

W 47 1/4" X H 21 3/4" X D 18 1/2"

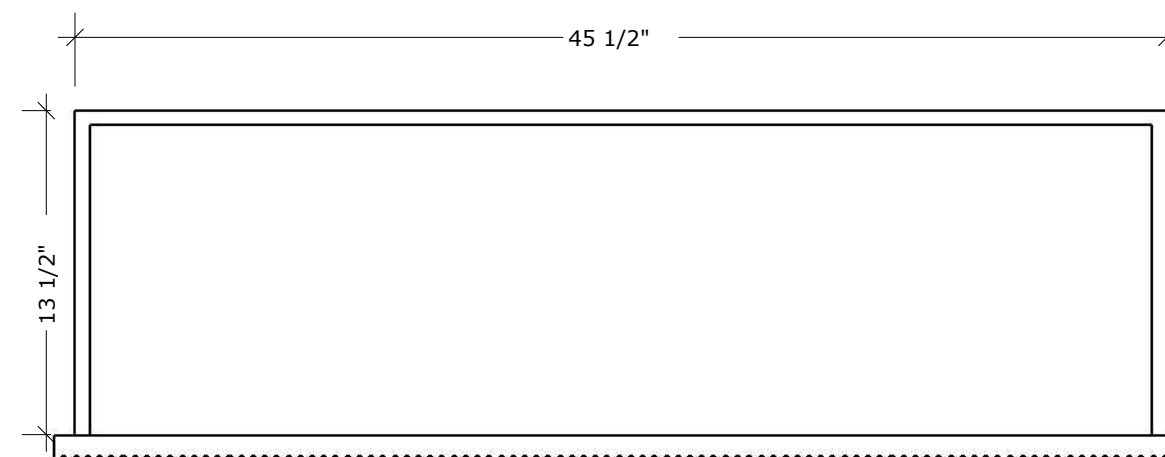
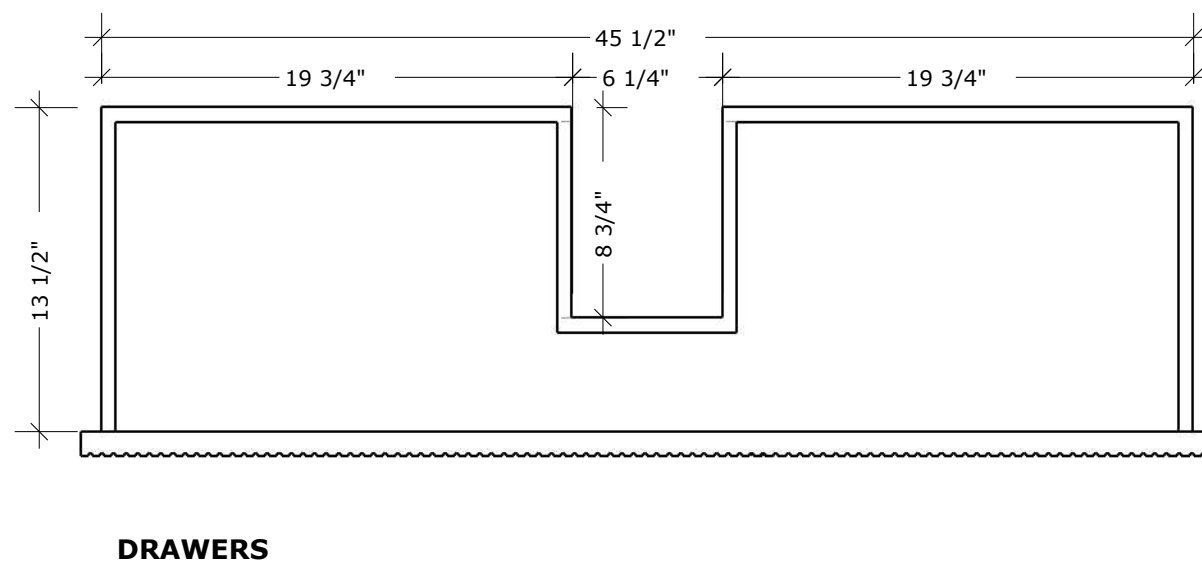
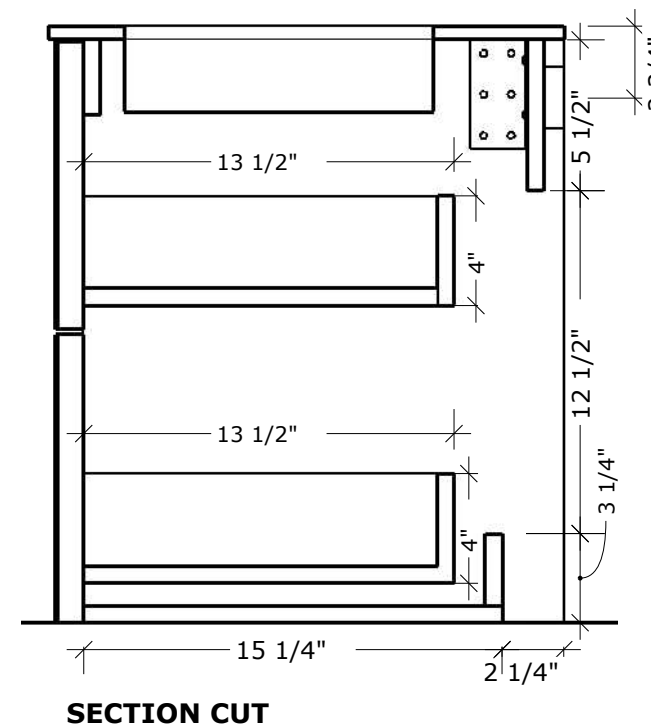
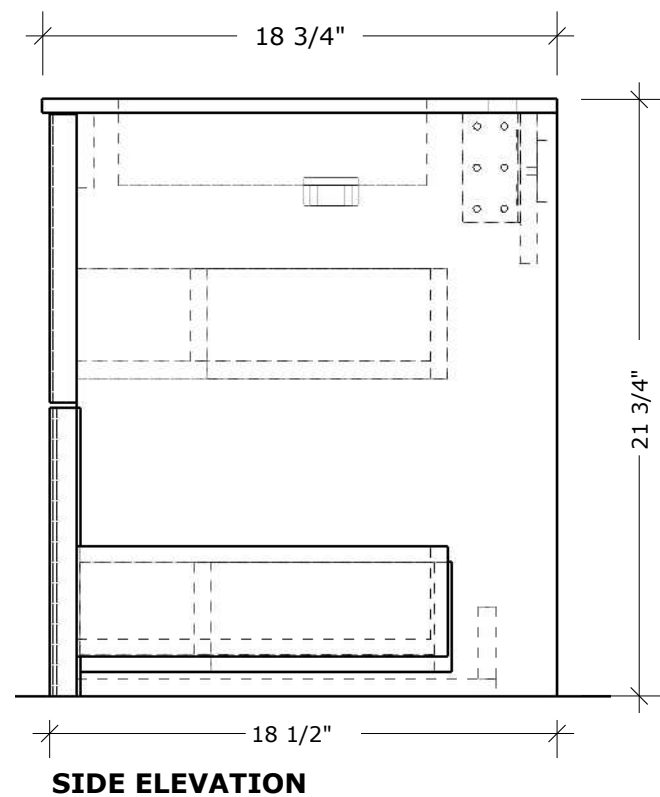


PRODUCT CODE
MC 1200CH

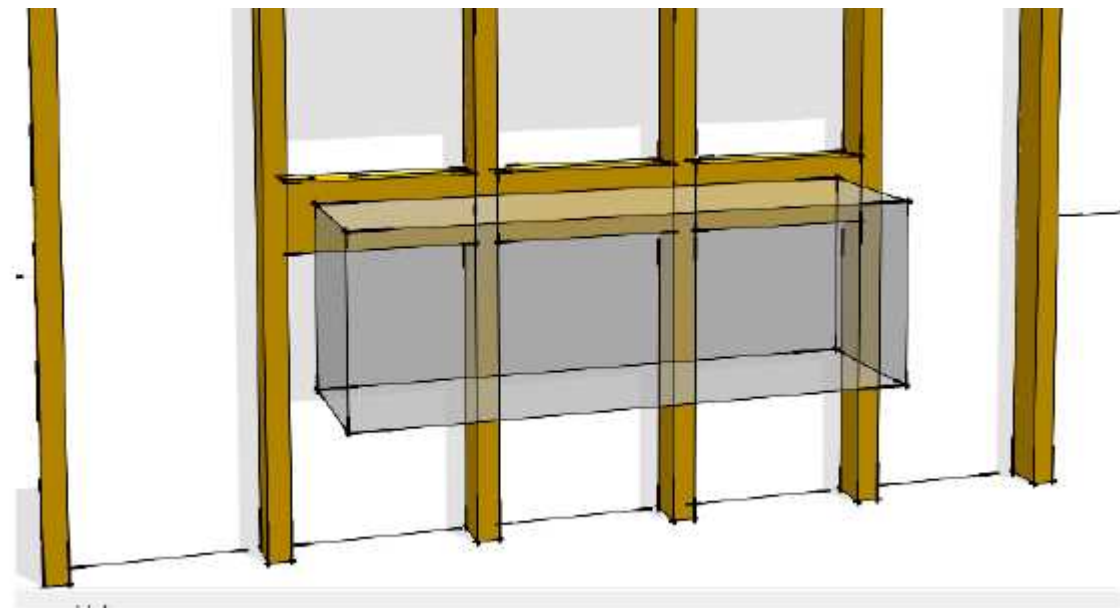
**OVERALL
DIMENSIONS**

W 47 1/4" X H 21 3/4" X D 18 1/2"

APPROXIMATE HEIGHT OF
HANGING MECHANISM
FROM TOP OF VANITY TO
CENTER OF MECHANISM



PRODUCT CODE
MC 1200CH



**FOR VANITY, HEIGHT OF BLOCKING
SHOULD BE AT THE TOP OF THE
CABINETS (NOT INCLUDING
COUNTERTOP)**