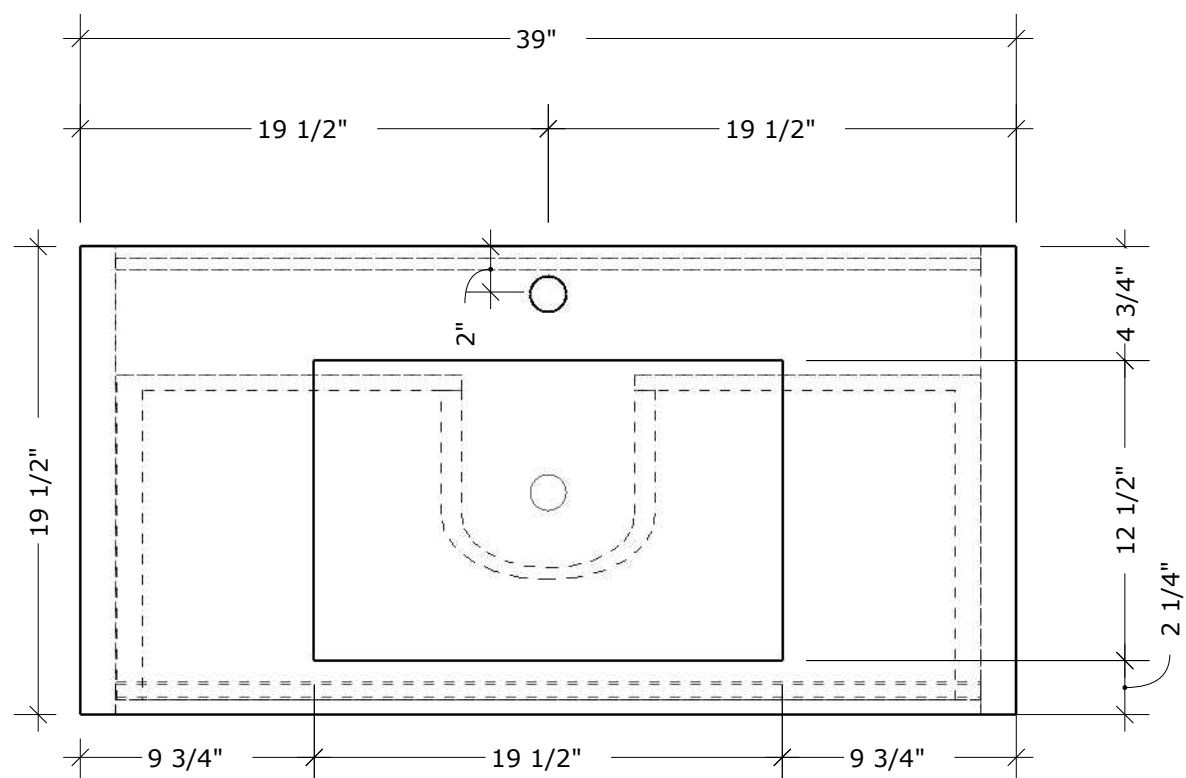
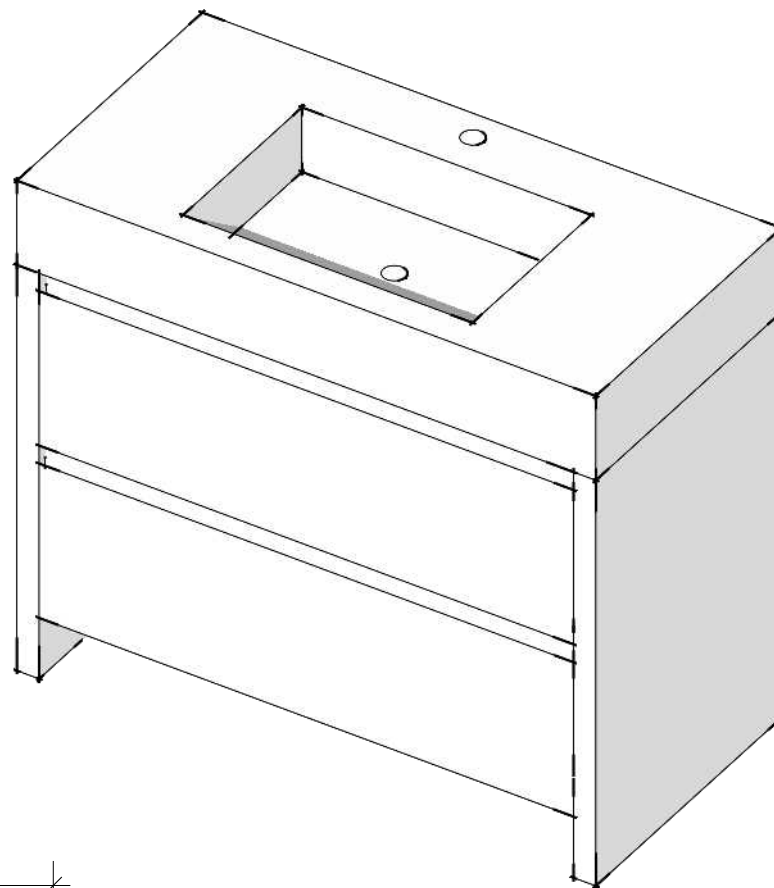
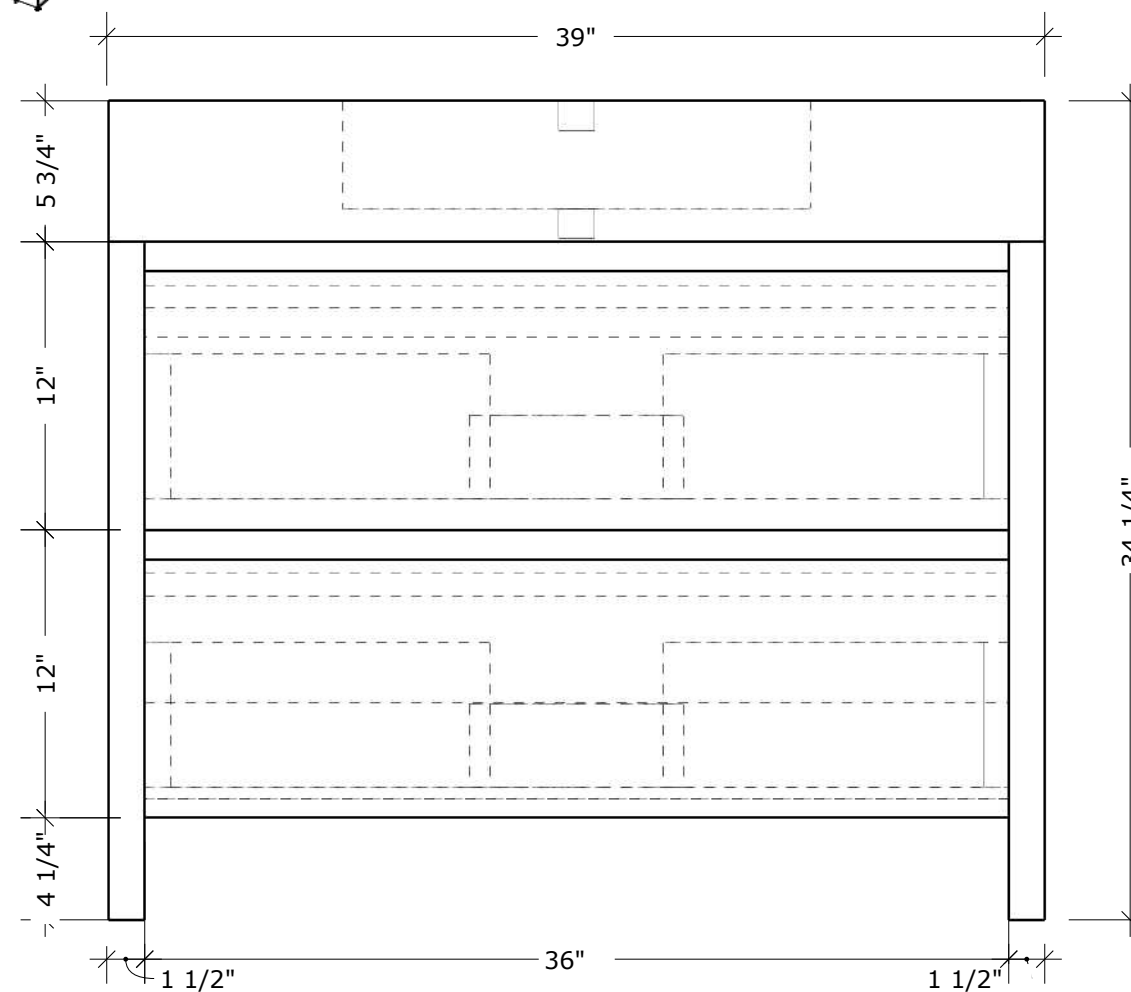


**OVERALL
DIMENSIONS**

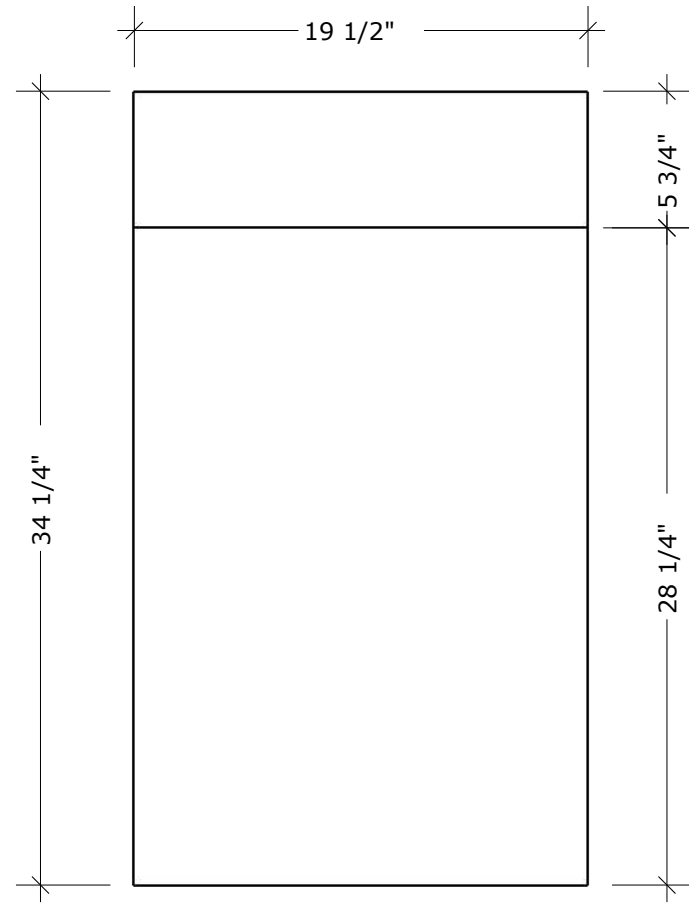
W39" X H34 1/4" X D19.5"



PLAN

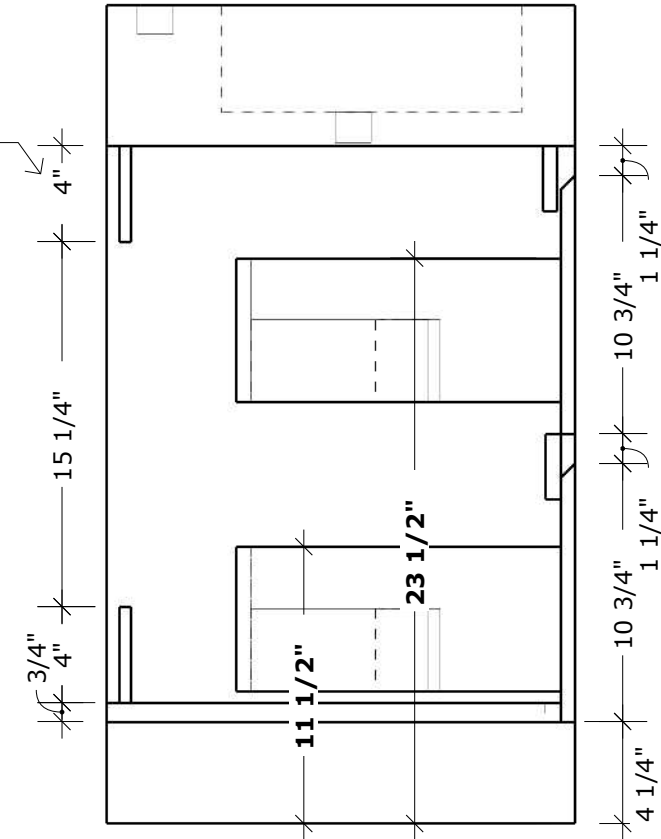


FRONT ELEVATION

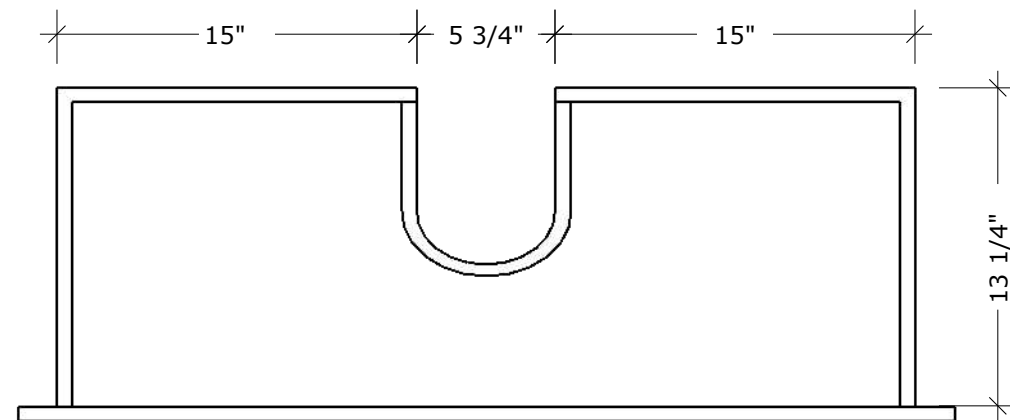


SIDE ELEVATION

APPROXIMATE HEIGHT OF
HANGING MECHANISM
FROM TOP OF VANITY



SECTION CUT



DRAWER