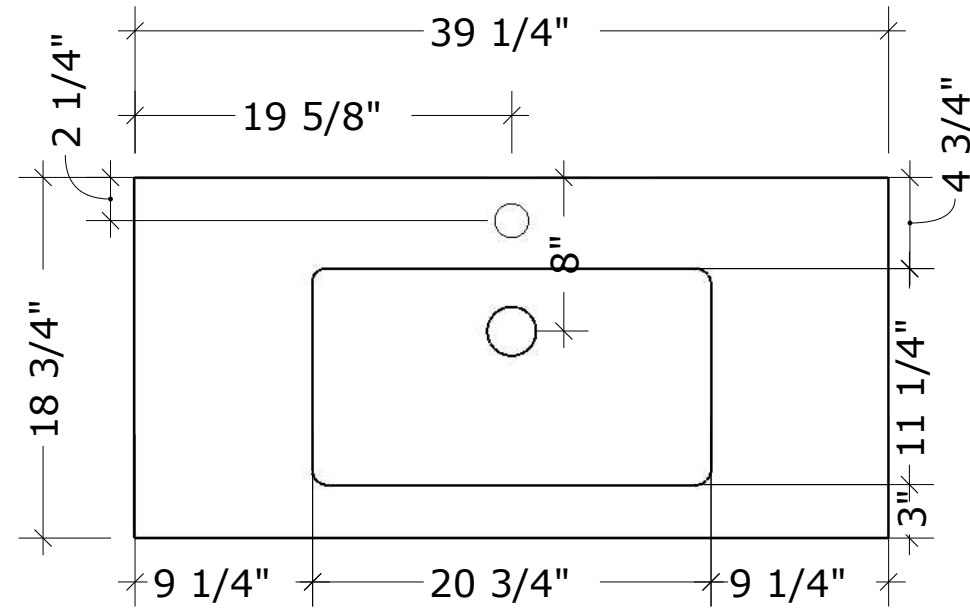
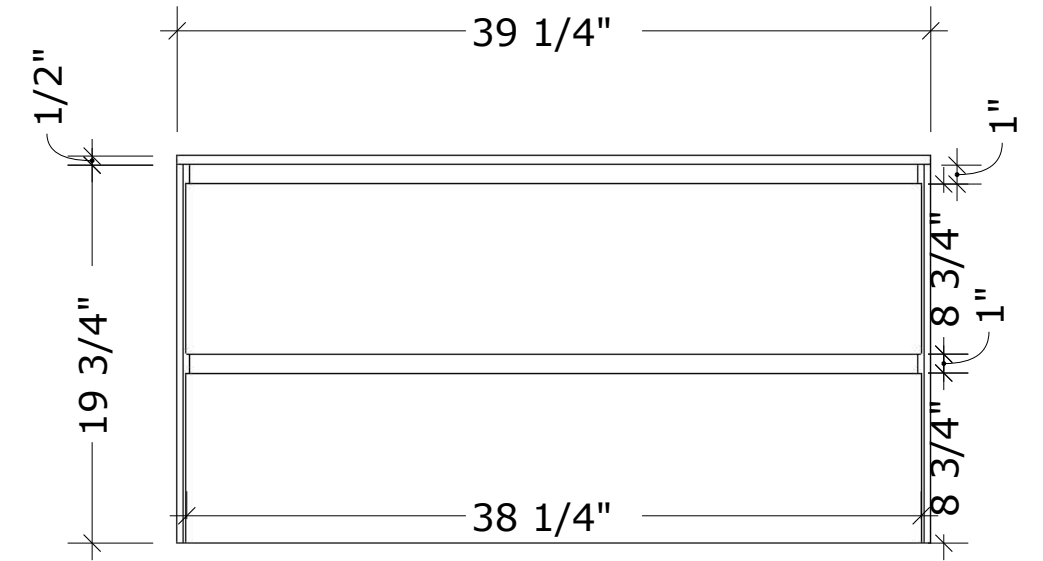


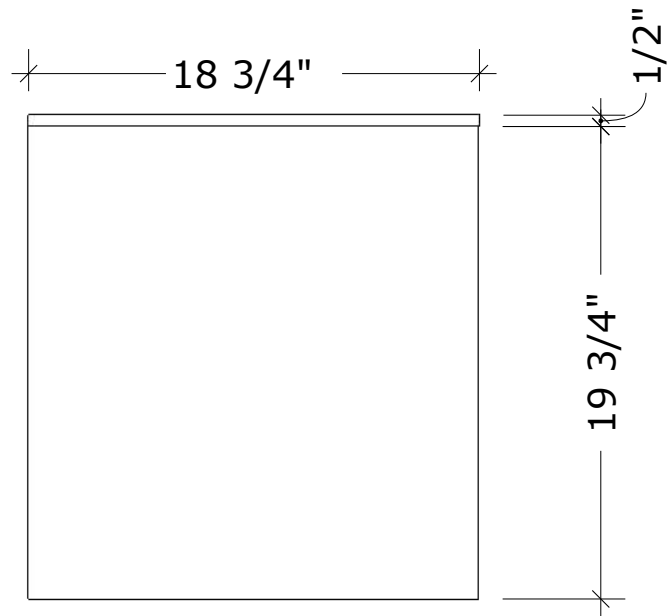
**MODEL NAME:** MC 1000S  
PERSPECTIVE



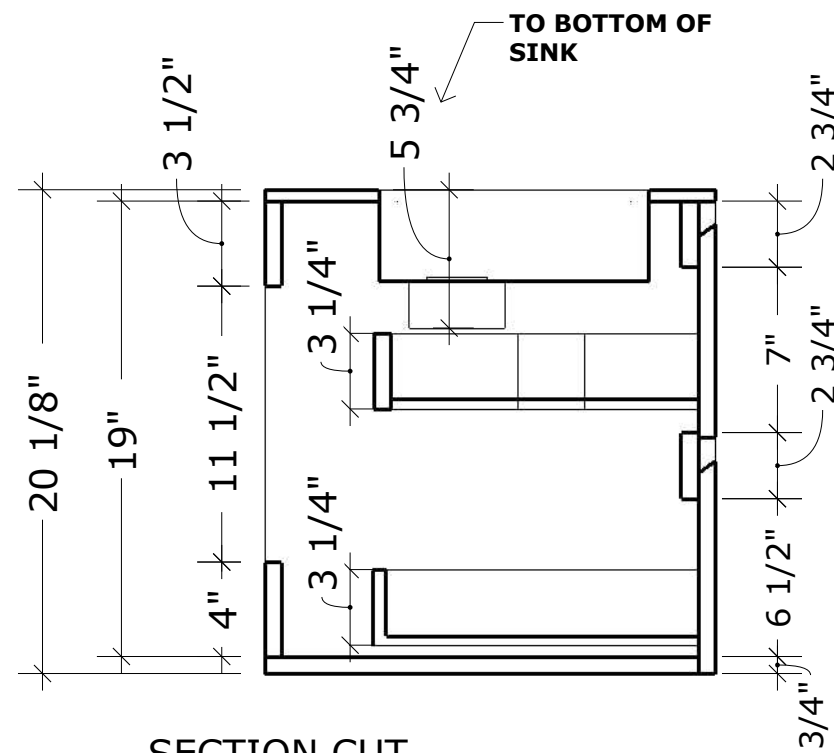
PLAN



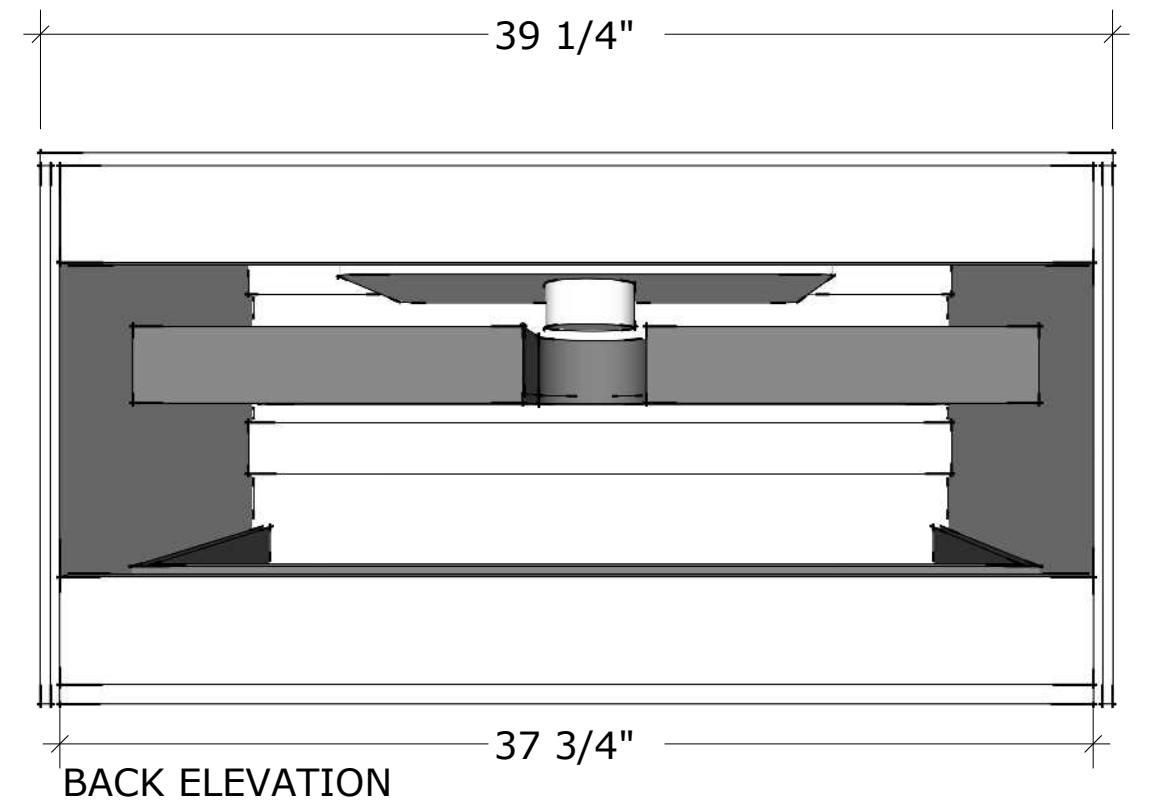
FRONT ELEVATION



SIDE ELEVATION

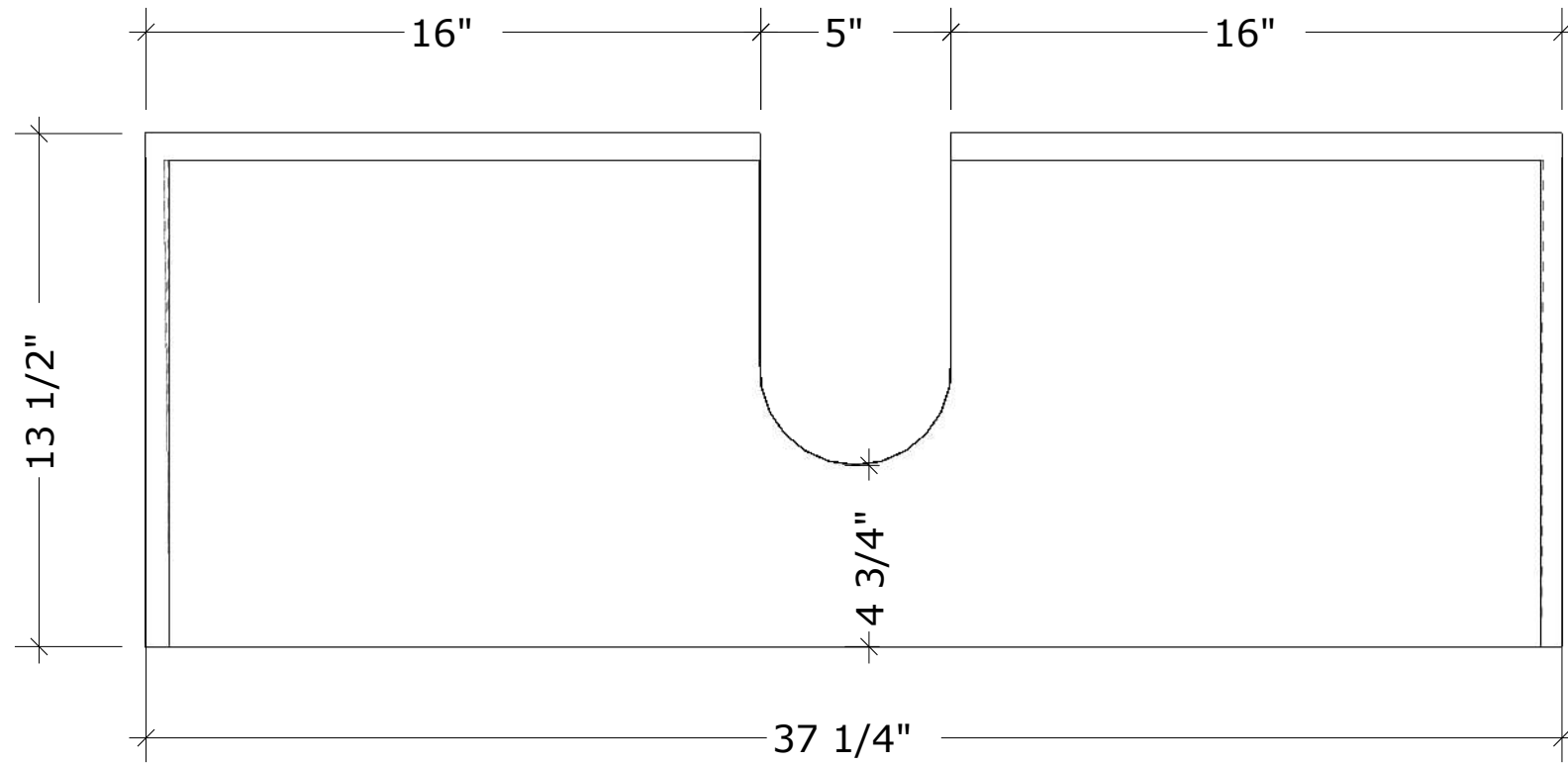


SECTION CUT

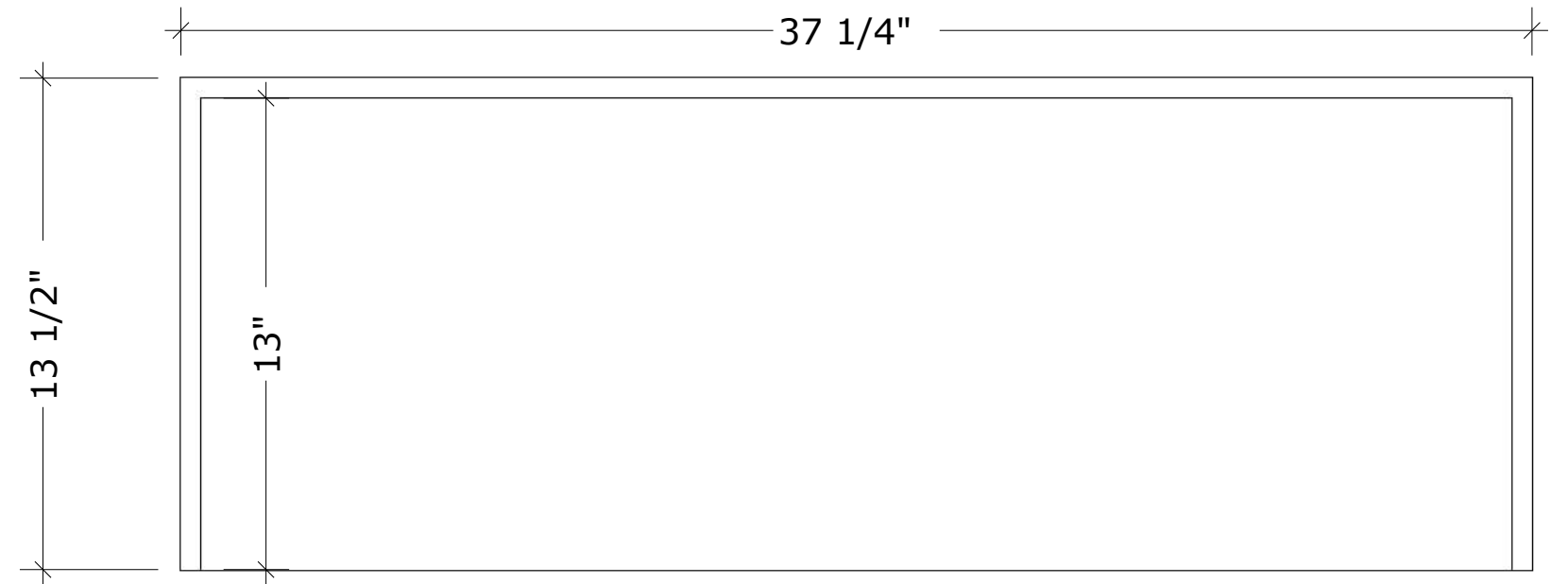


BACK ELEVATION

**MODEL NAME: MC 750S**  
DRAWERS



TOP DRAWER  
U SHAPE INSERT



BOTTOM DRAWER  
FULL DRAWER