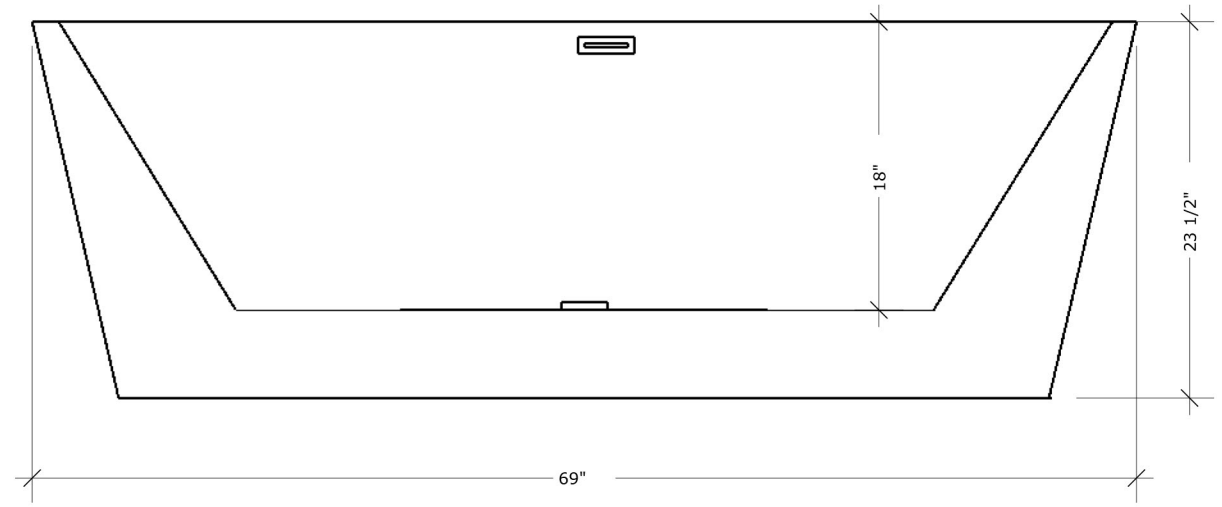
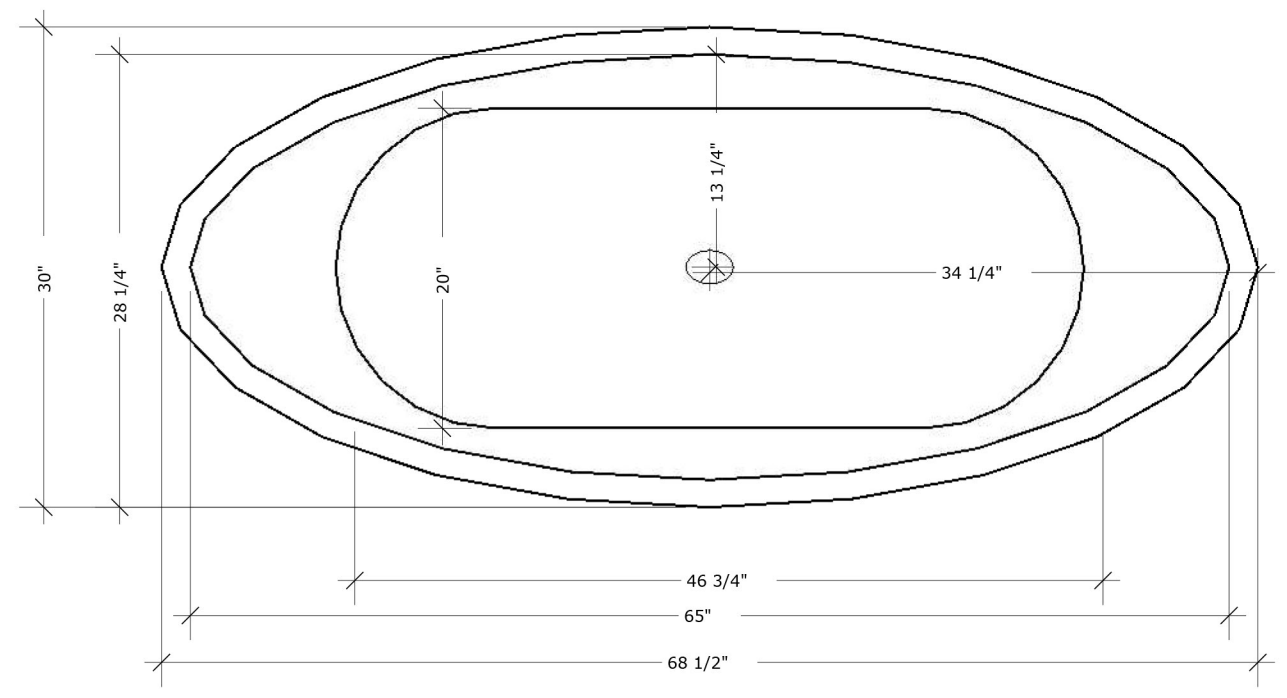
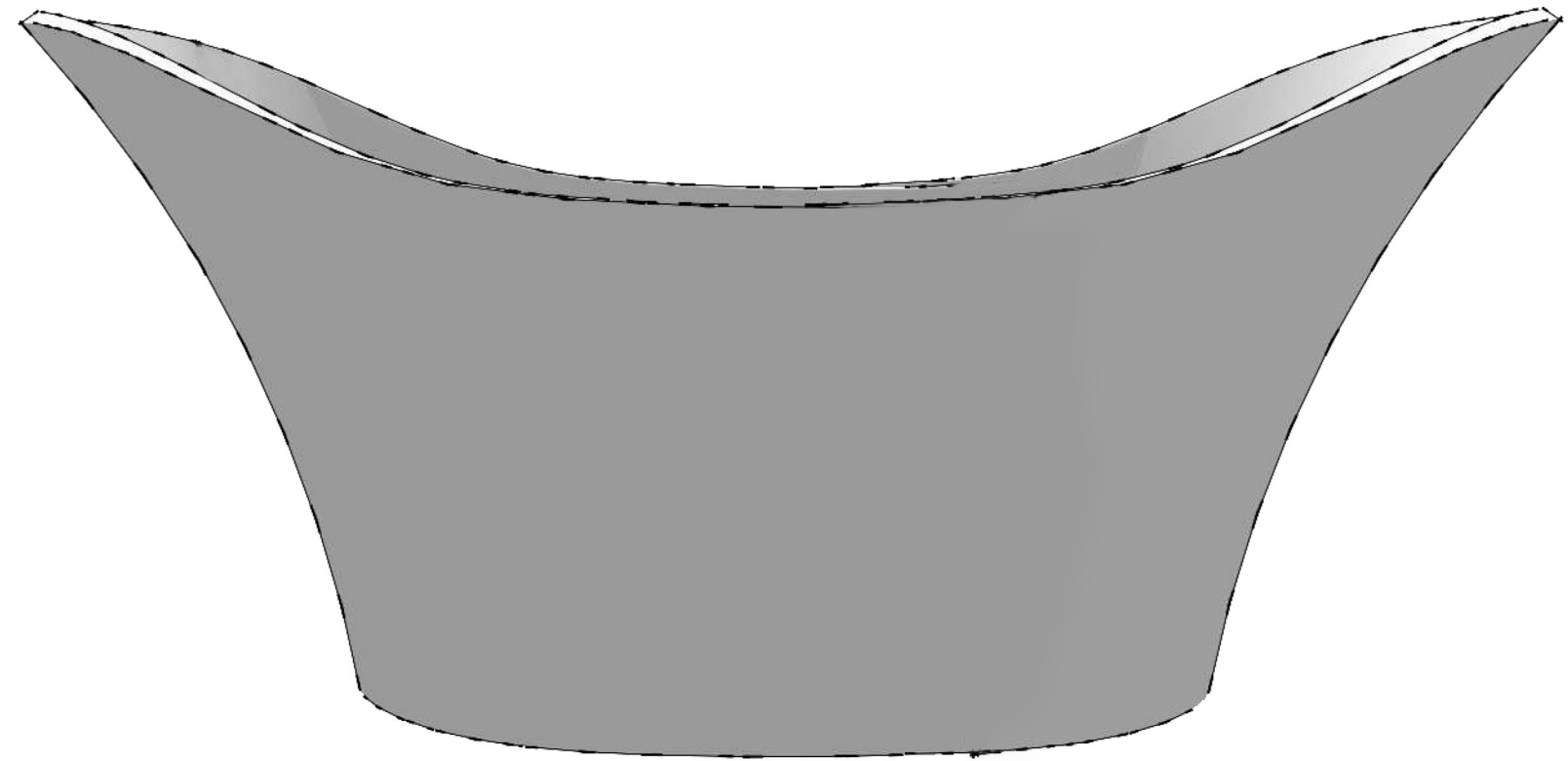


**OVERALL
DIMENSIONS**

W30" X H68 1/2" X D23 1/2"



FRONT ELEVATION

PLAN



PRODUCT CODE
BT6520MB