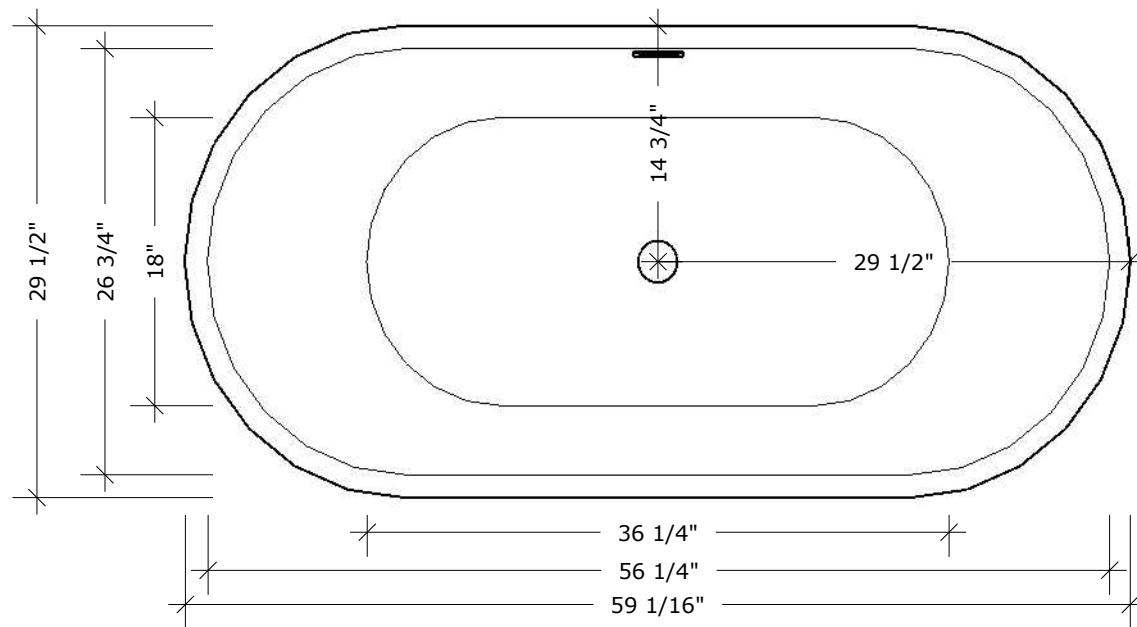
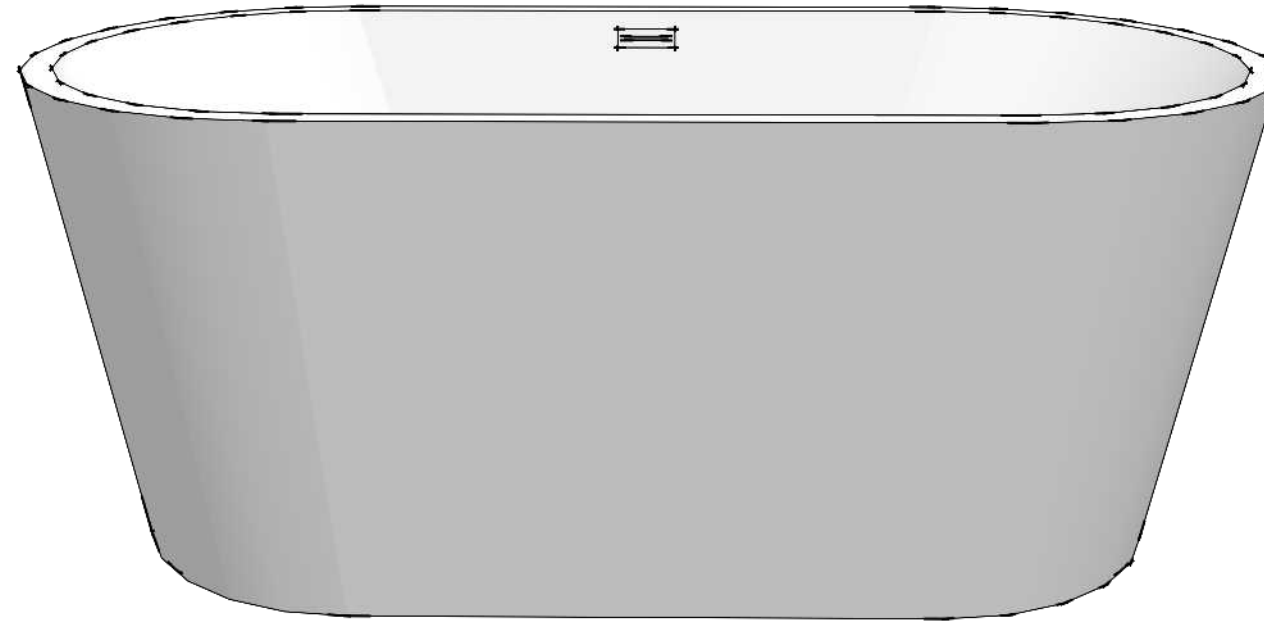
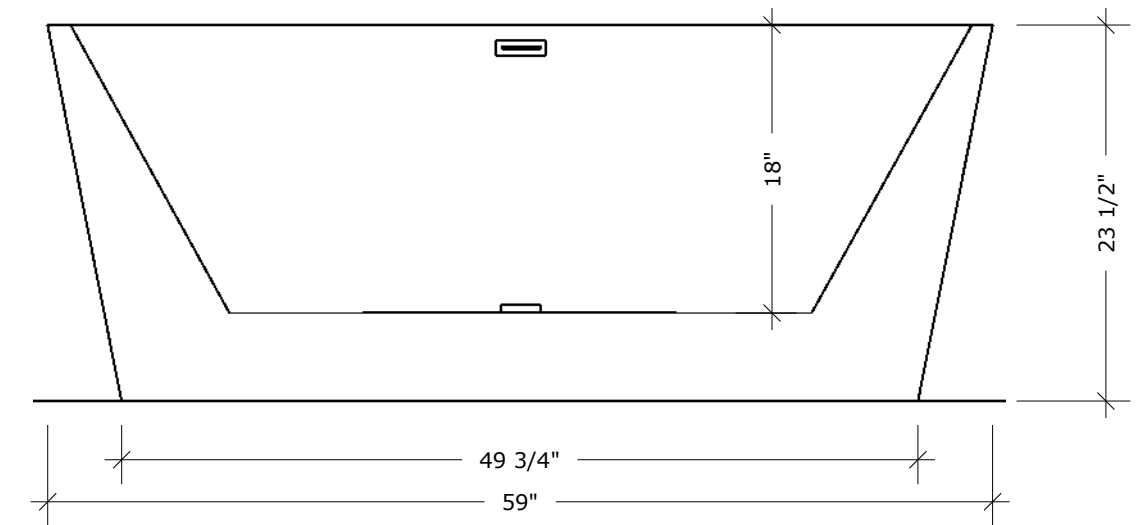


**OVERALL
DIMENSIONS**

W29 1/2" X H59 1/16" X D23 1/2"



PLAN



FRONT ELEVATION



PRODUCT CODE
BT609 - 1500