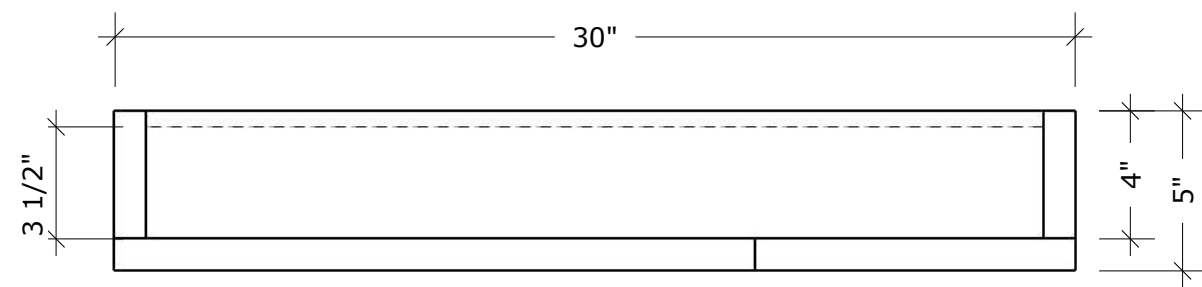
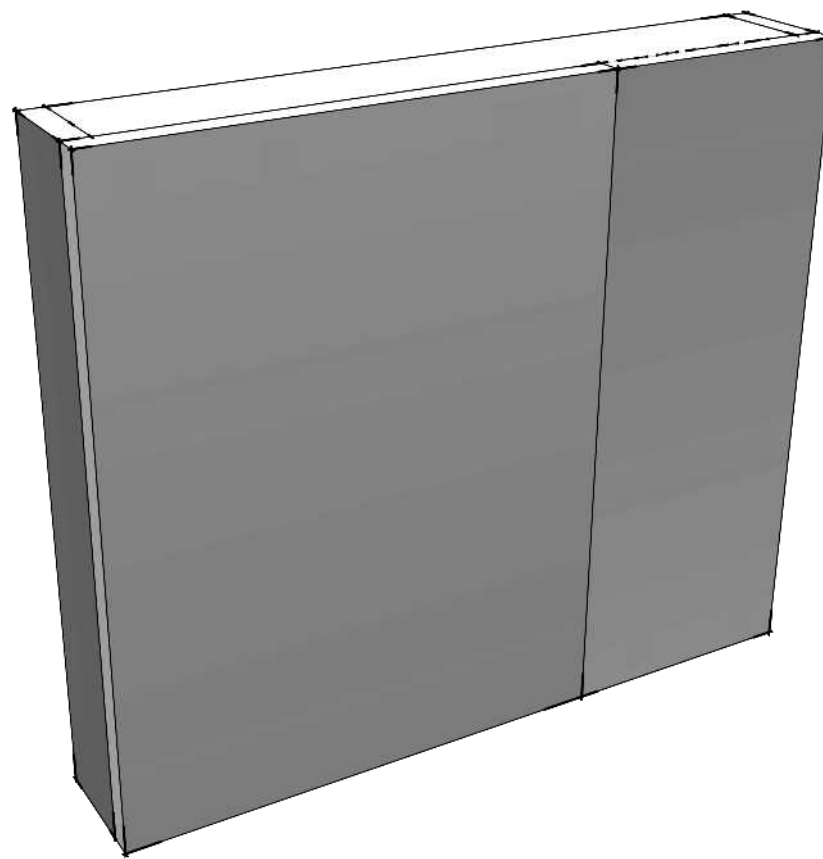


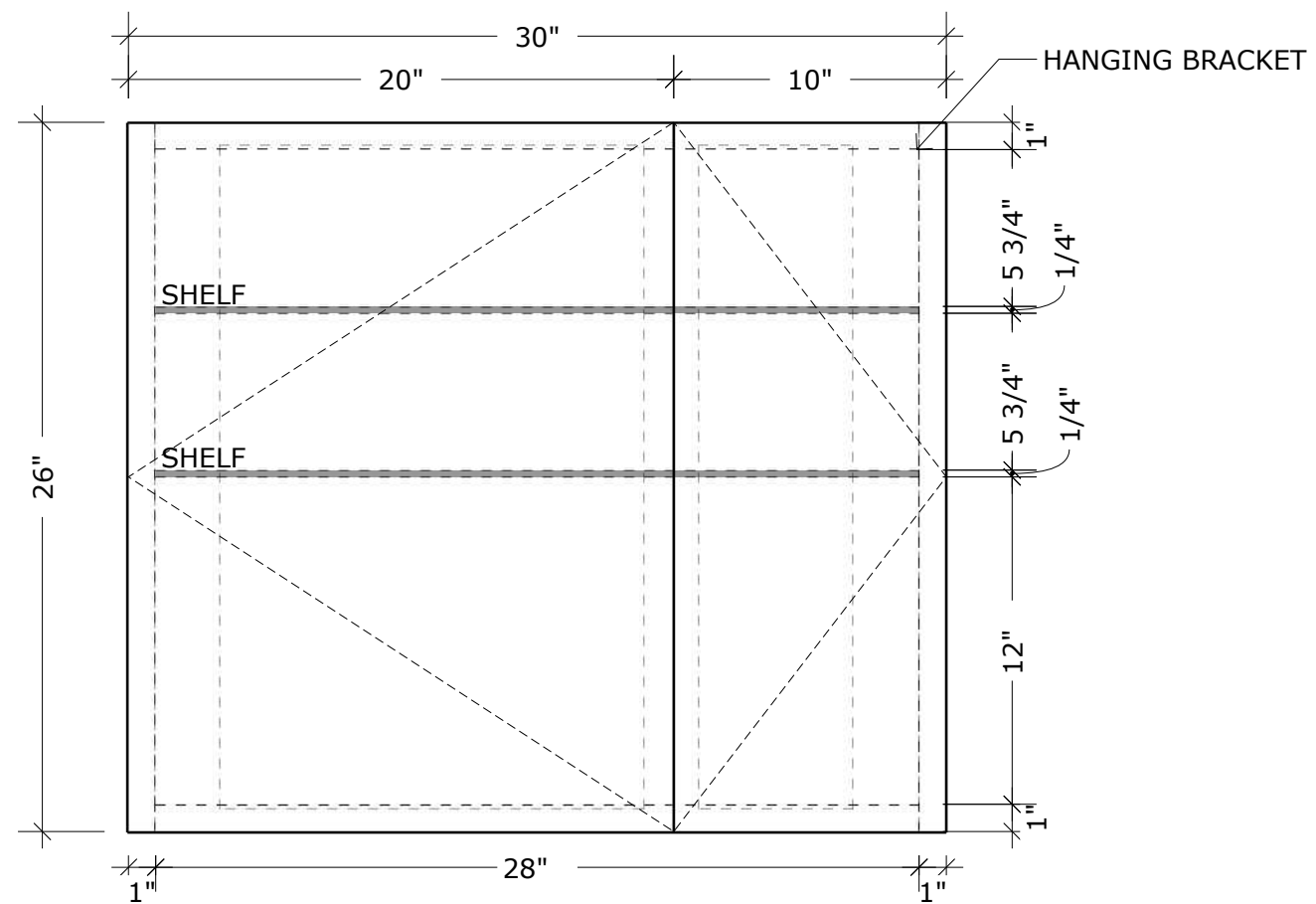
**OVERALL
DIMENSIONS**

W30" X H26" X D5"

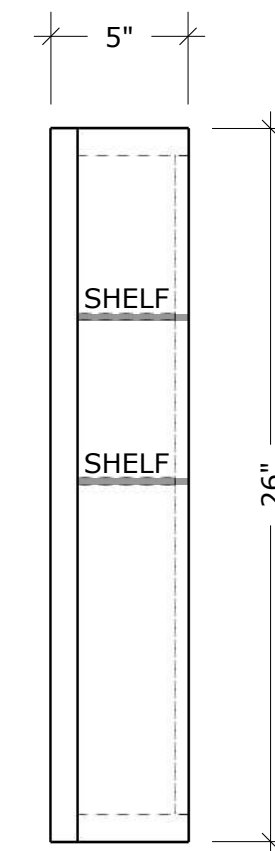
**MEDICINE CABINETS CAN BE
INSTALLED RECESSED OR SURFACE MOUNT**



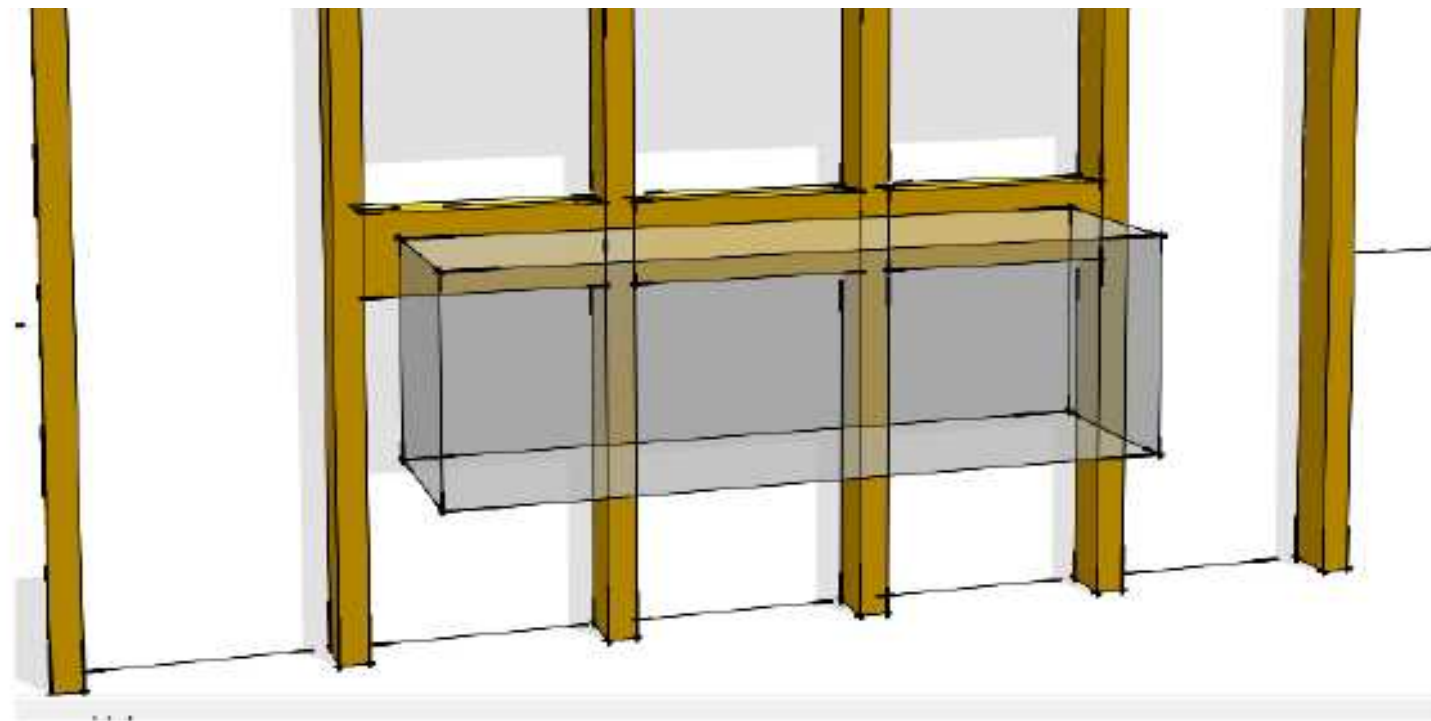
PLAN



FRONT ELEVATION



SIDE ELEVATION



FLOATING VANITY

FLOATING CABINETRY ARE REQUIRED TO BE REINFORCED WITH TWO OR THREE LAYERS OF 2X6 STUDS BETWEEN THE STUDS.

FOR VANITY, HEIGHT OF BLOCKING SHOULD BE AT THE TOP OF THE CABINETRY (NOT INCLUDING COUNTERTOP)