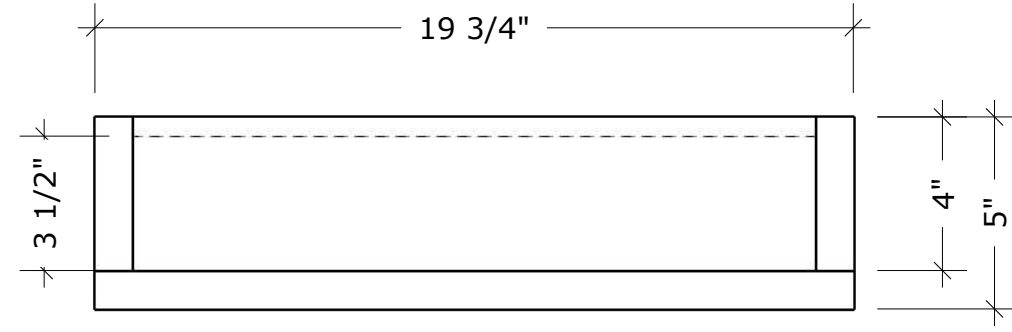
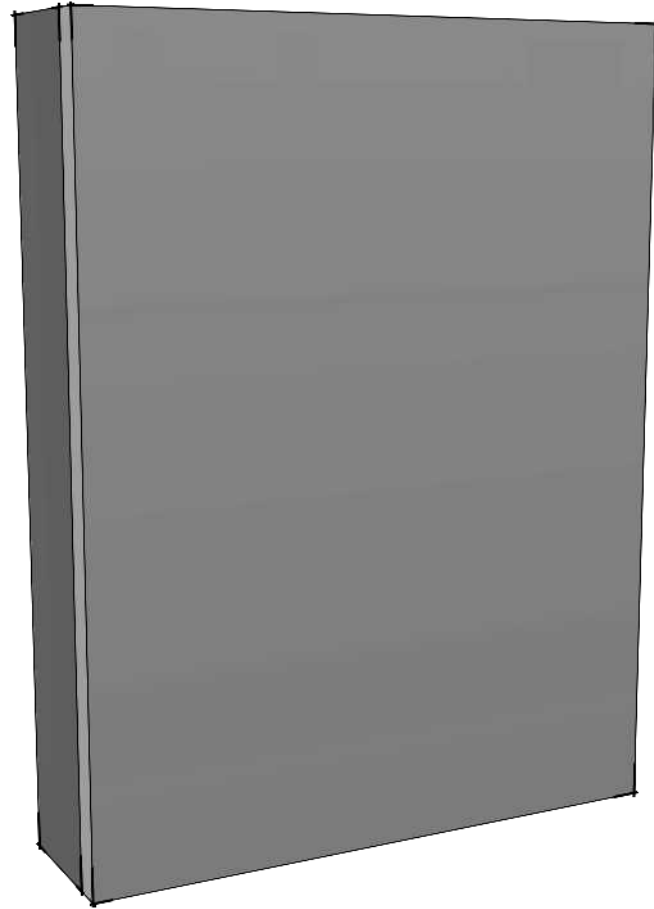
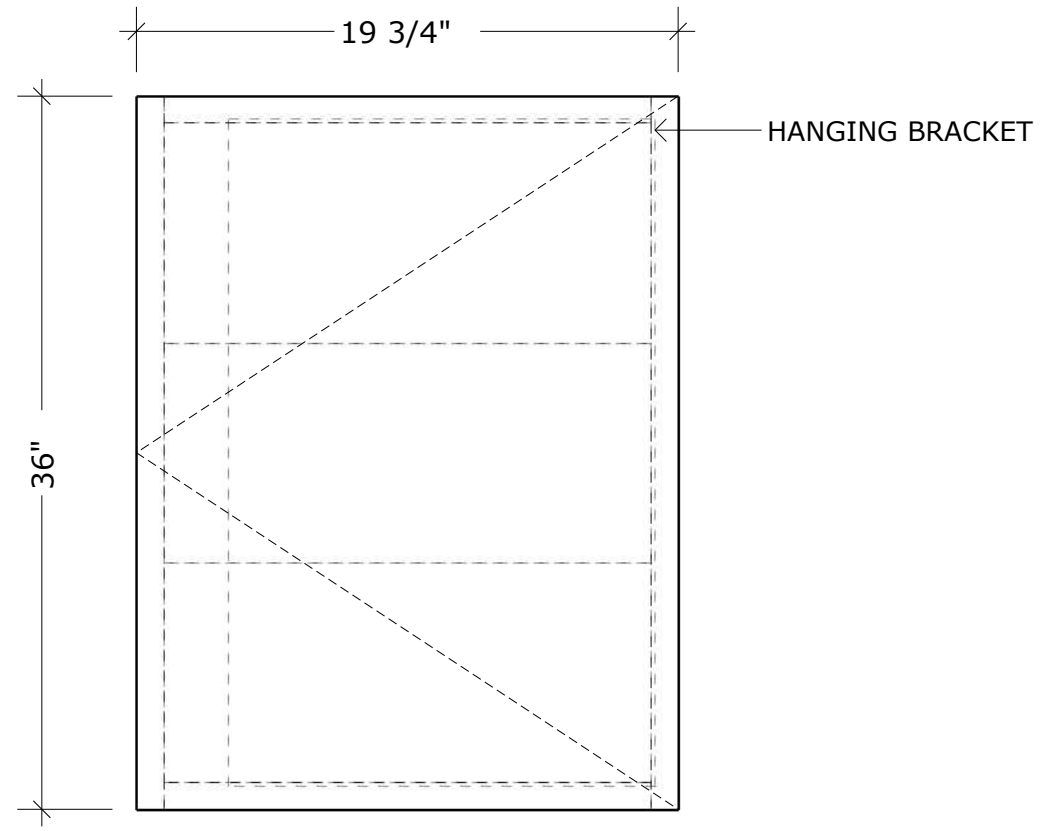


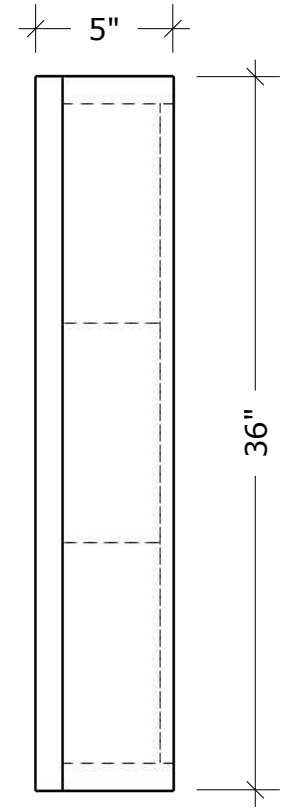
**OVERALL
DIMENSIONS**
W19.75" X H36" X D5"



PLAN



FRONT ELEVATION



SIDE ELEVATION

**MEDICINE CABINETS CAN BE INSTALLED
RECESSED OR SURFACE MOUNT**

VENETO BATH
Lived through design.

PRODUCT CODE
MR 580

venetobath.com

LAST EDITED
APRIL/22/2024