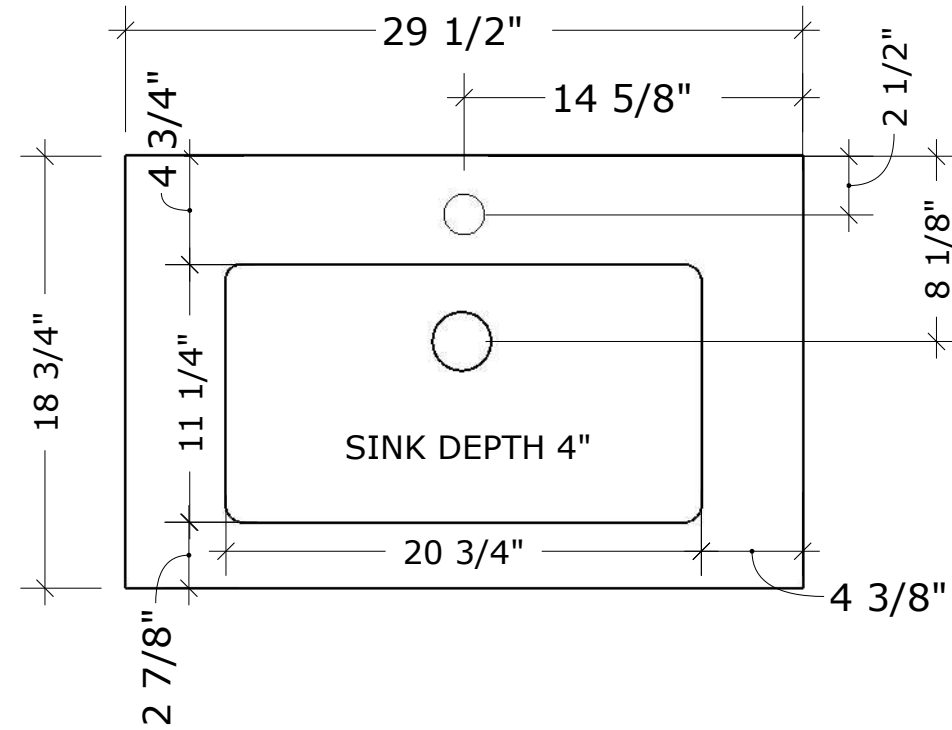
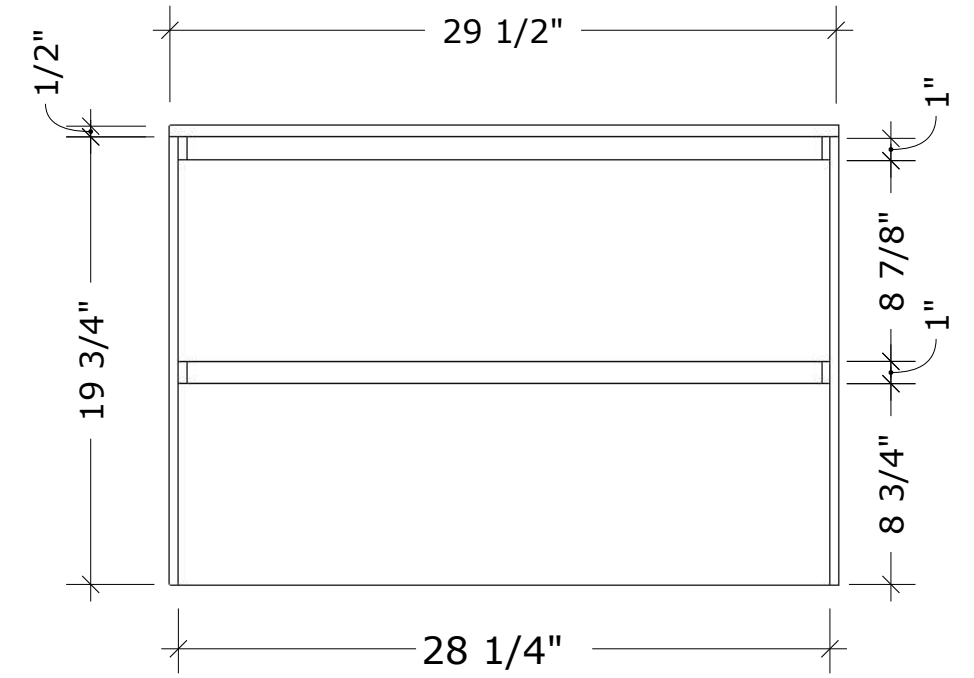


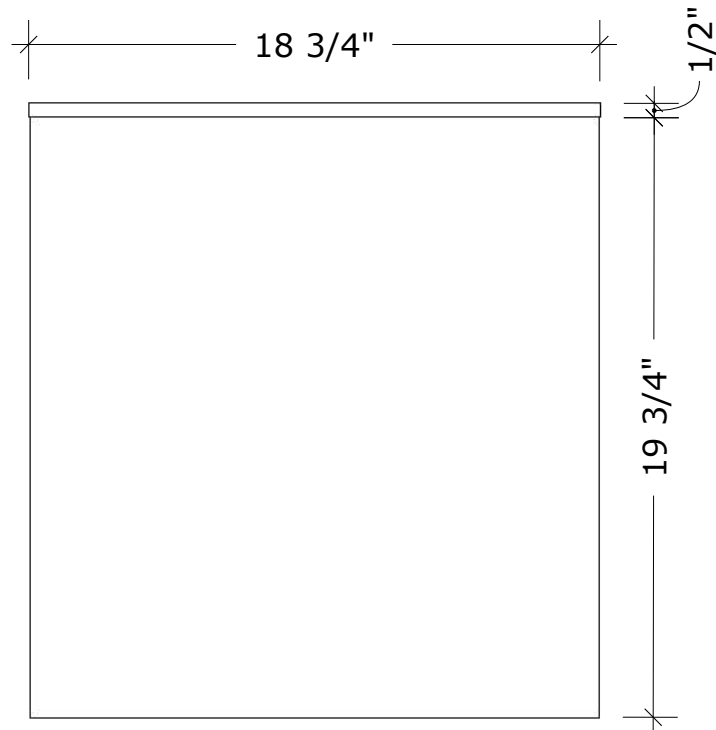
**MODEL NAME: MC 750S**  
PERSPECTIVE



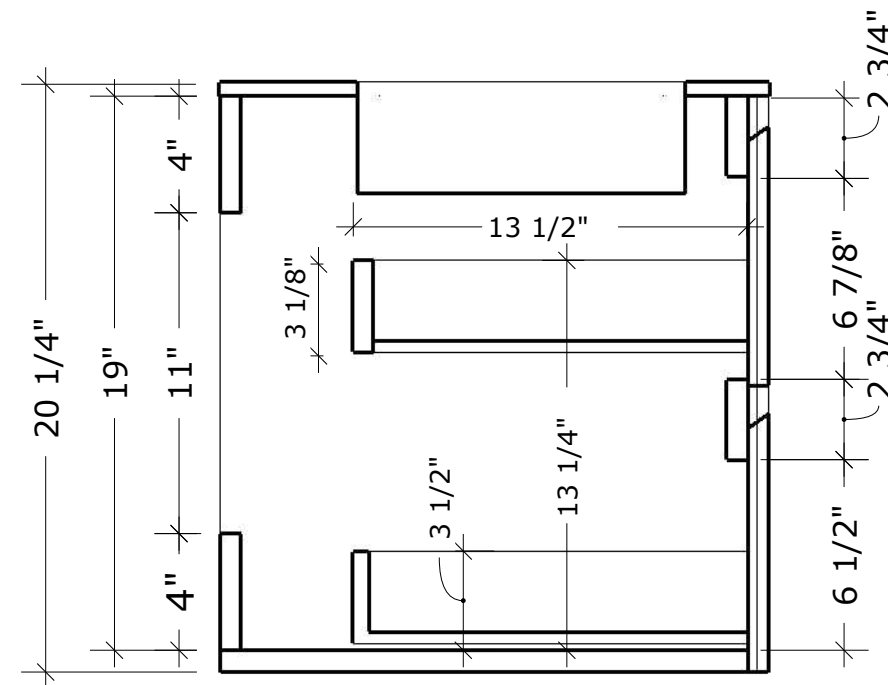
PLAN



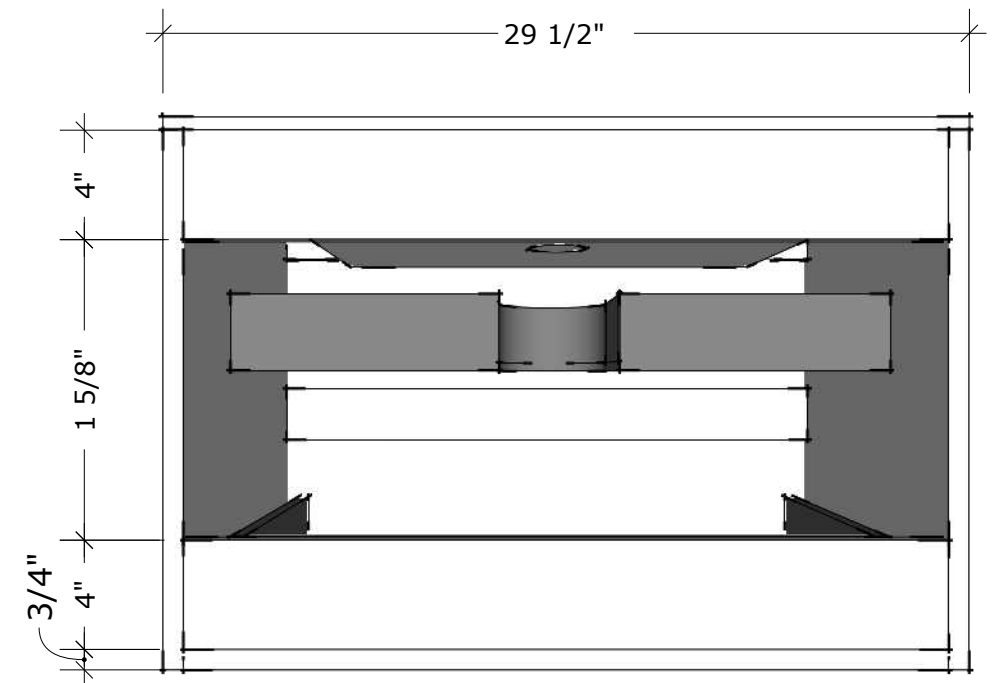
FRONT ELEVATION



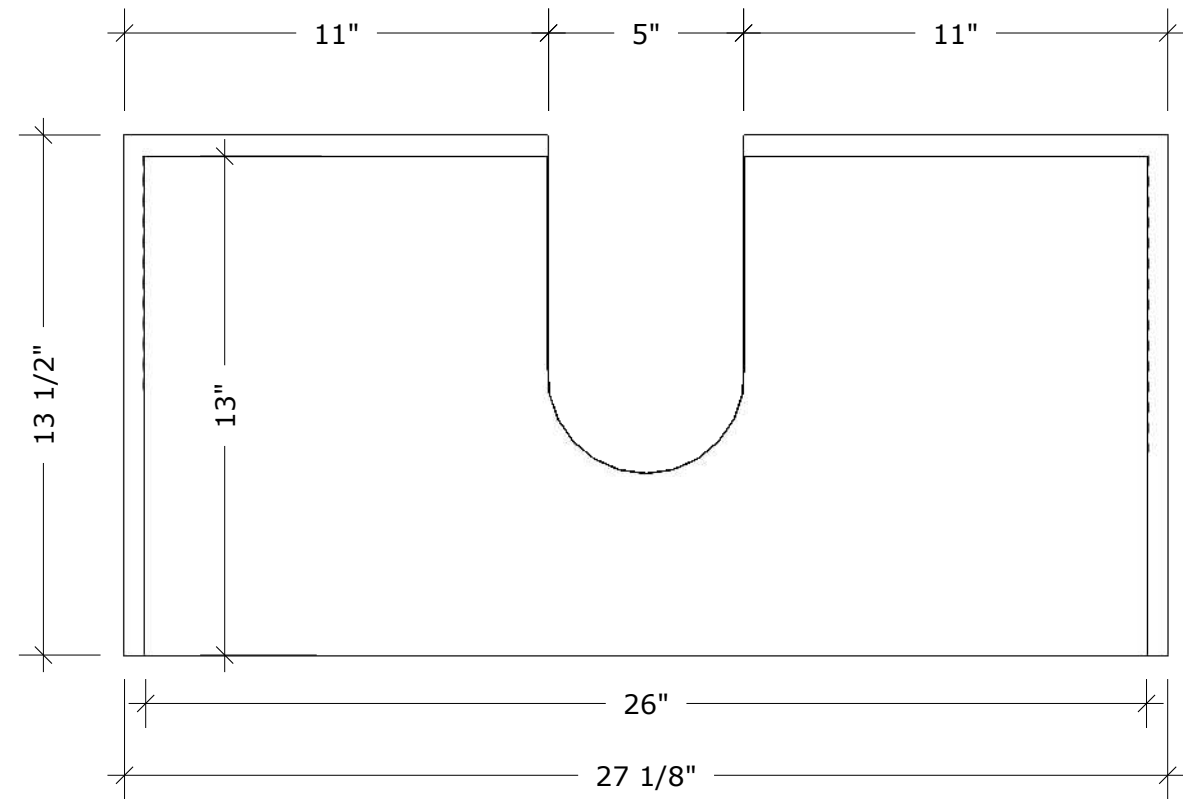
SIDE ELEVATION



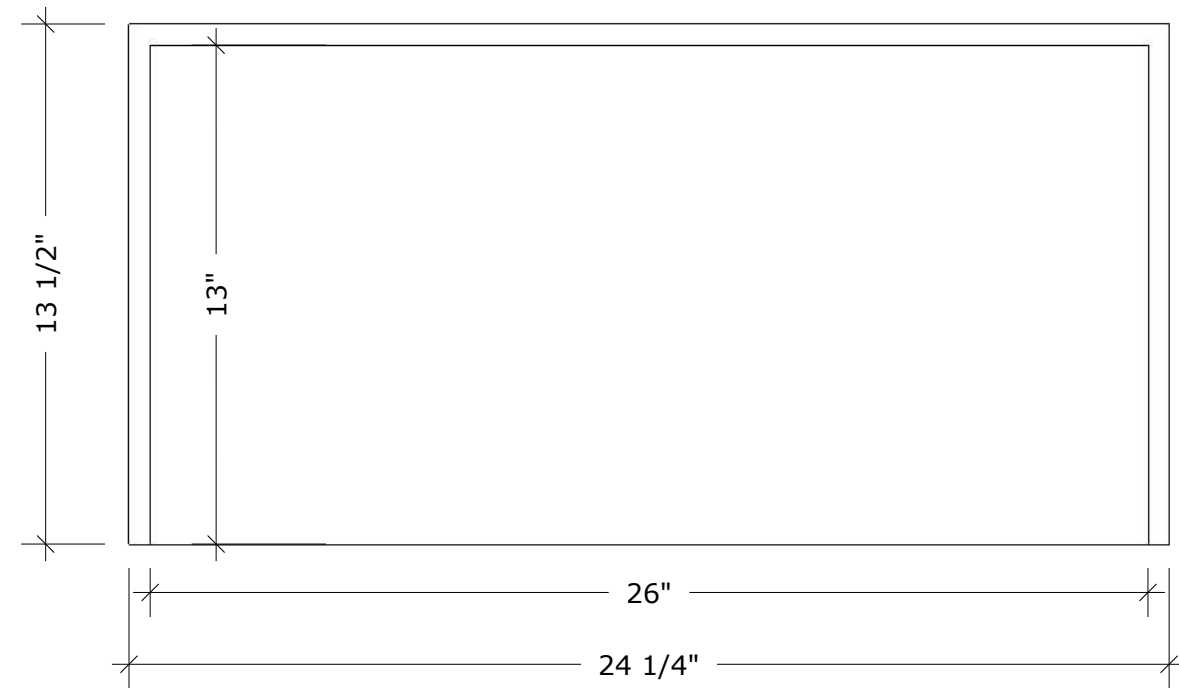
SECTION CUT



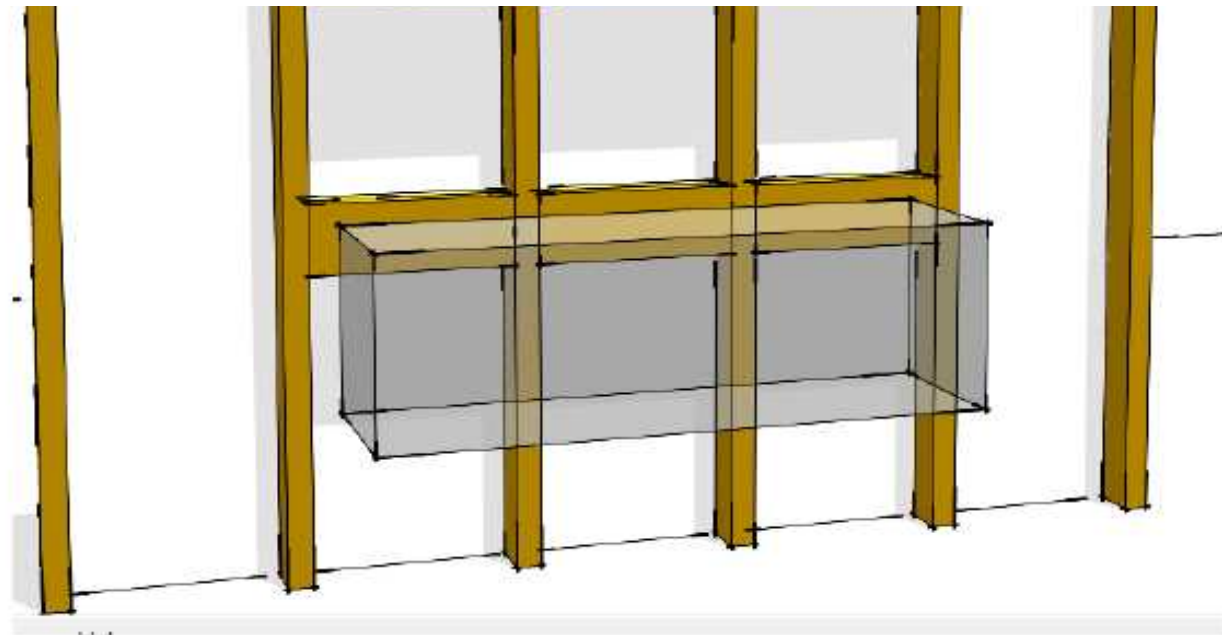
BACK ELEVATION



TOP DRAWER  
U SHAPE INSERT



BOTTOM DRAWER  
FULL DRAWER



**FLOATING VANITY**

**FLOATING CABINETRY ARE REQUIRED TO BE REINFORCED WITH TWO OR THREE LAYERS OF 2X6 STUDS BETWEEN THE STUDS.**

**FOR VANITY, HEIGHT OF BLOCKING SHOULD BE AT THE TOP OF THE CABINETRY (NOT INCLUDING COUNTERTOP)**