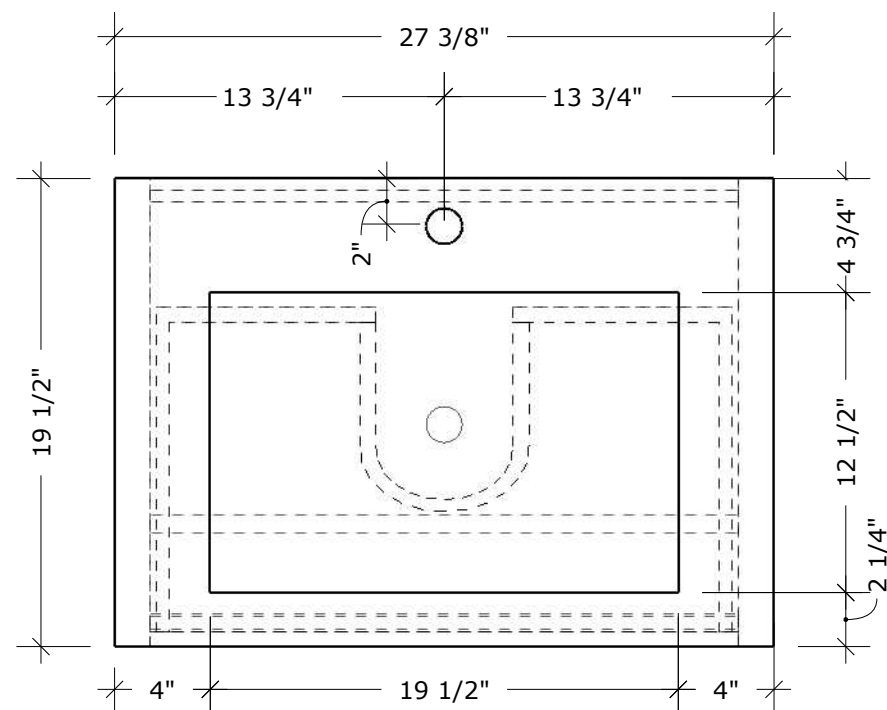
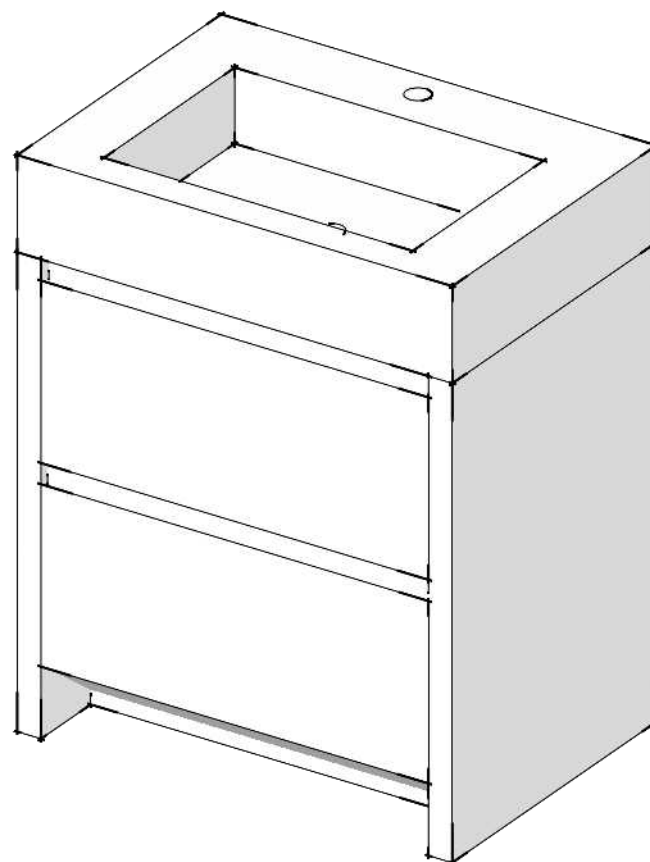
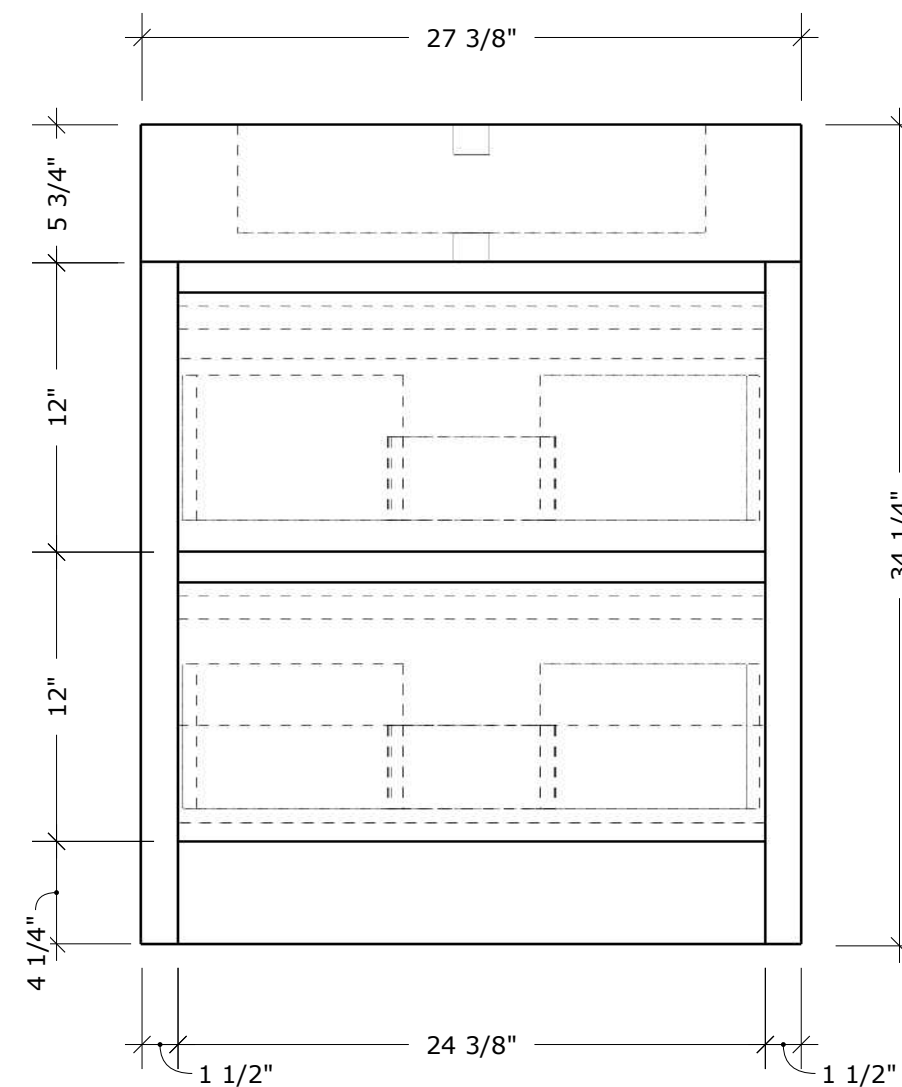


**OVERALL  
DIMENSIONS**

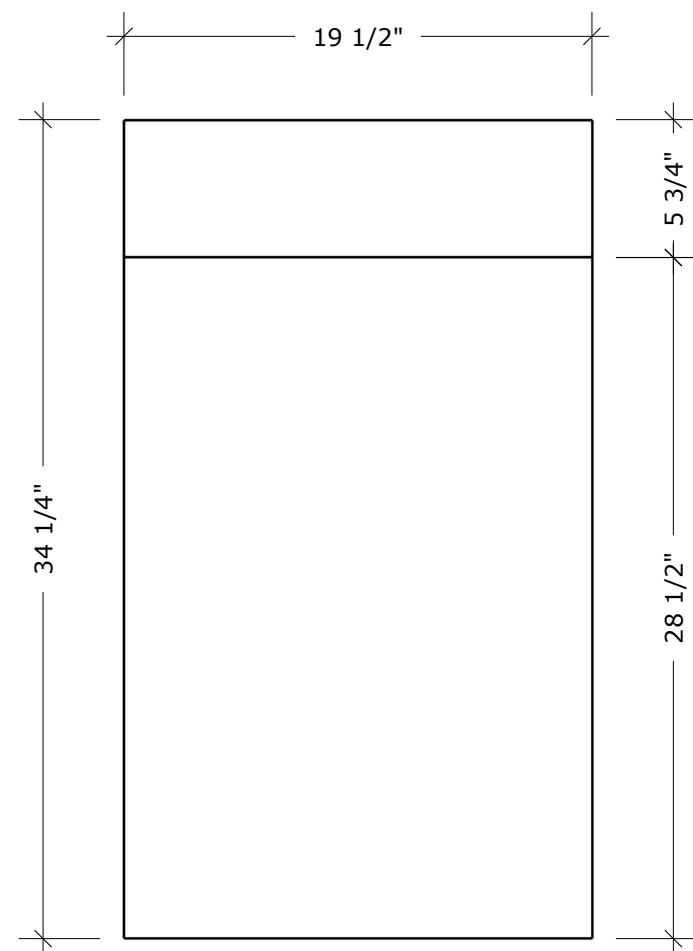
W27 3/8" X H34 1/4" X D19 1/2"



**PLAN**

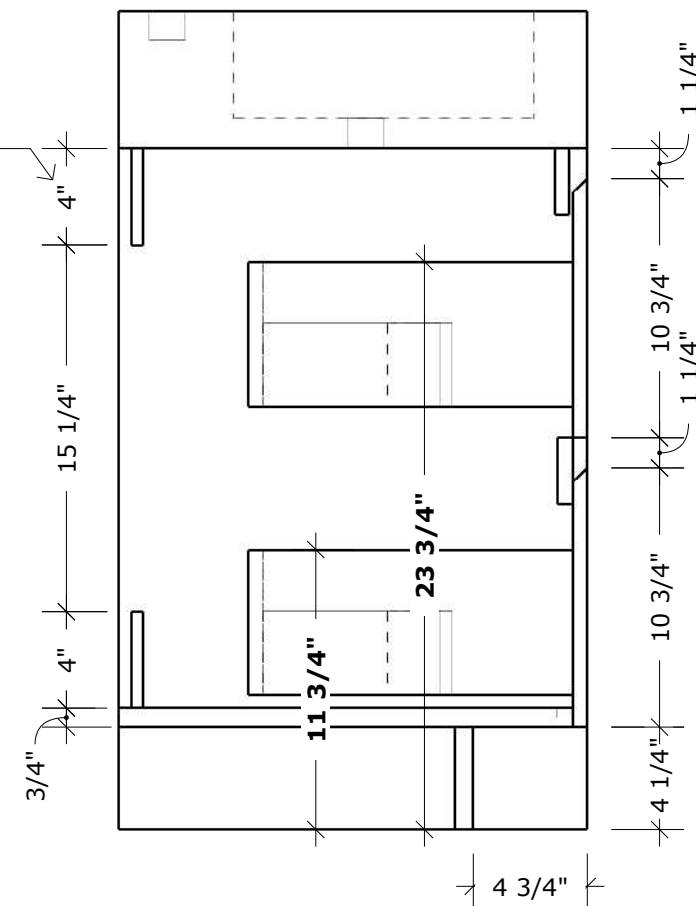


**FRONT ELEVATION**

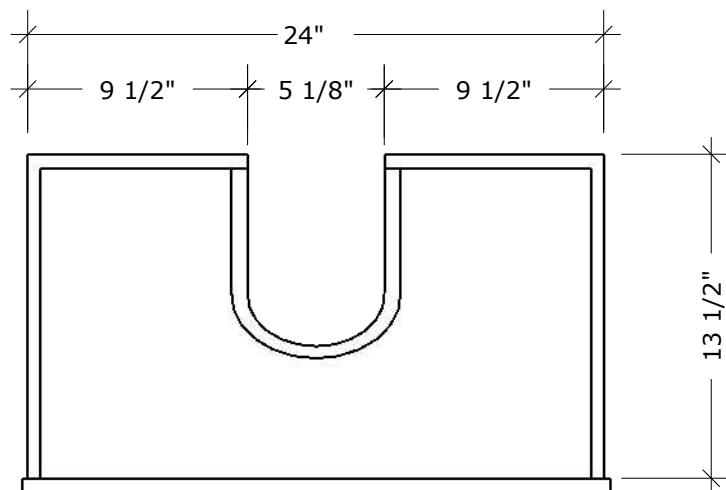


SIDE ELEVATION

APPROXIMATE HEIGHT OF  
HANGING MECHANISM  
FROM TOP OF VANITY



SECTION CUT



DRAWER