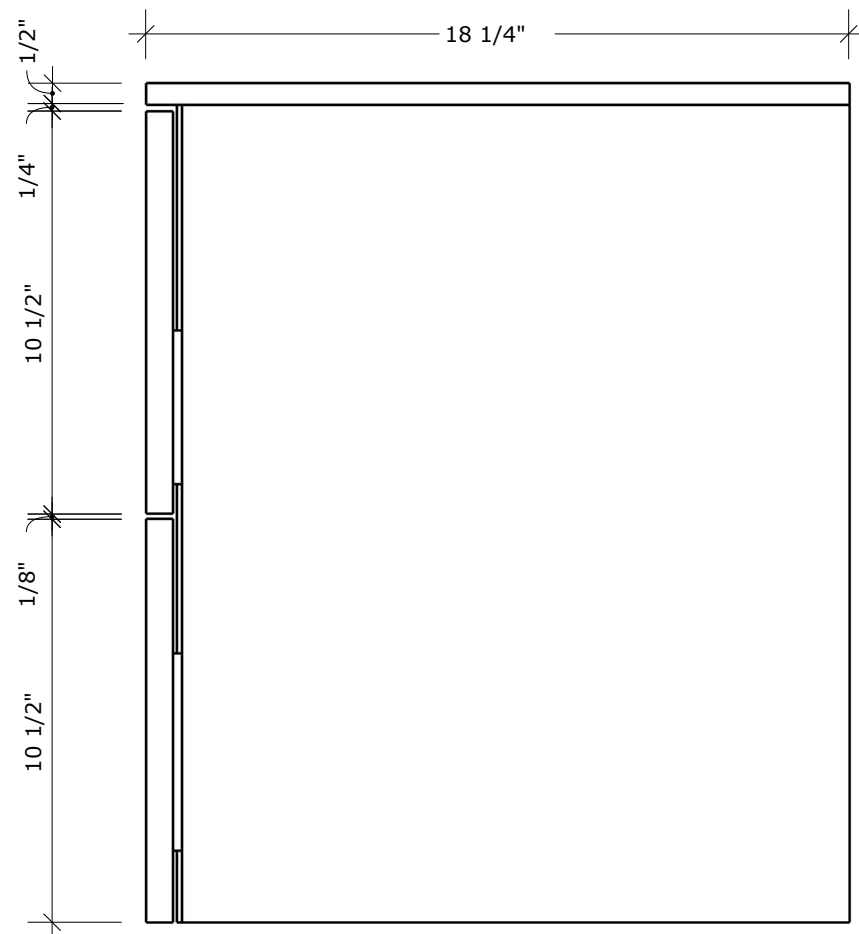
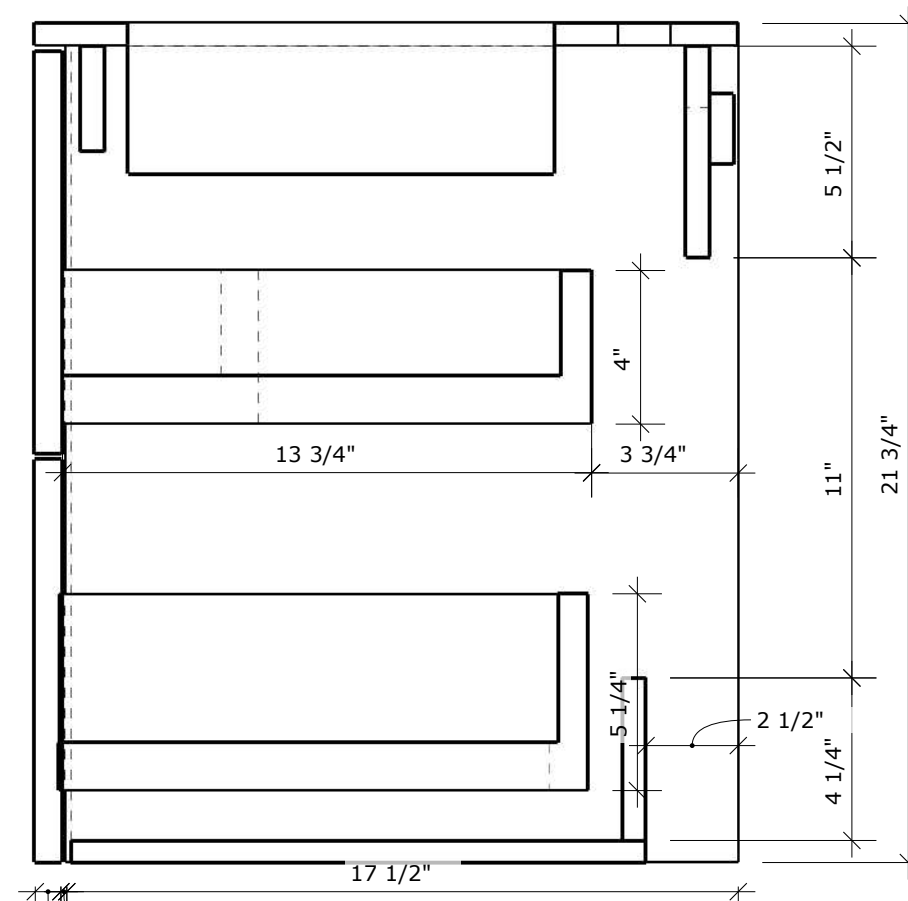


OVERALL DIMENSIONS

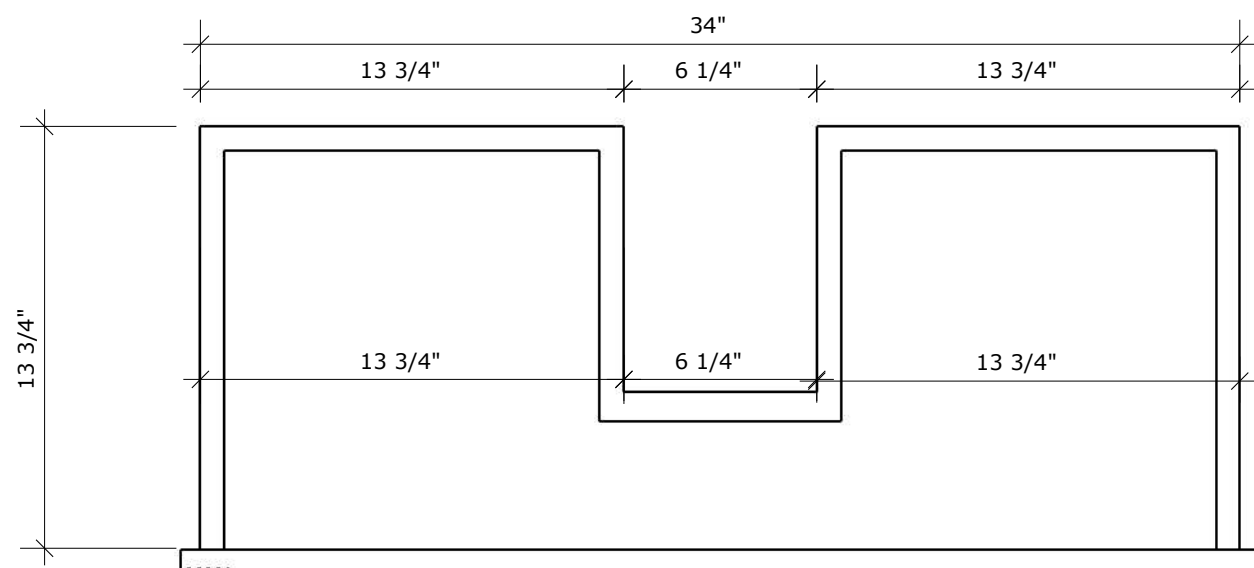
W 70 3/4" X H 21 3/4"
X D 18 1/4"



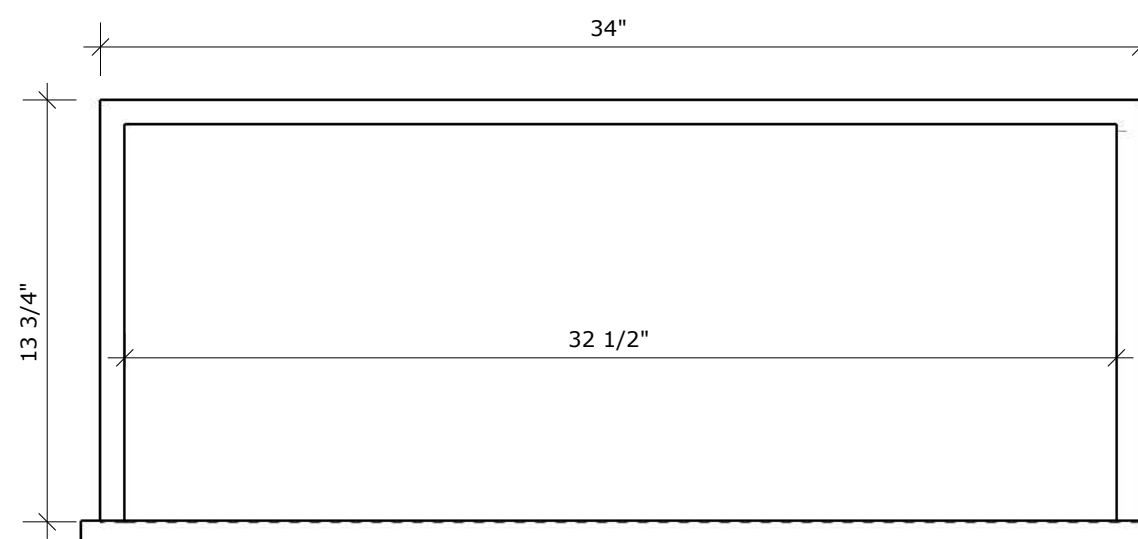
SIDE ELEVATION



SECTION CUT

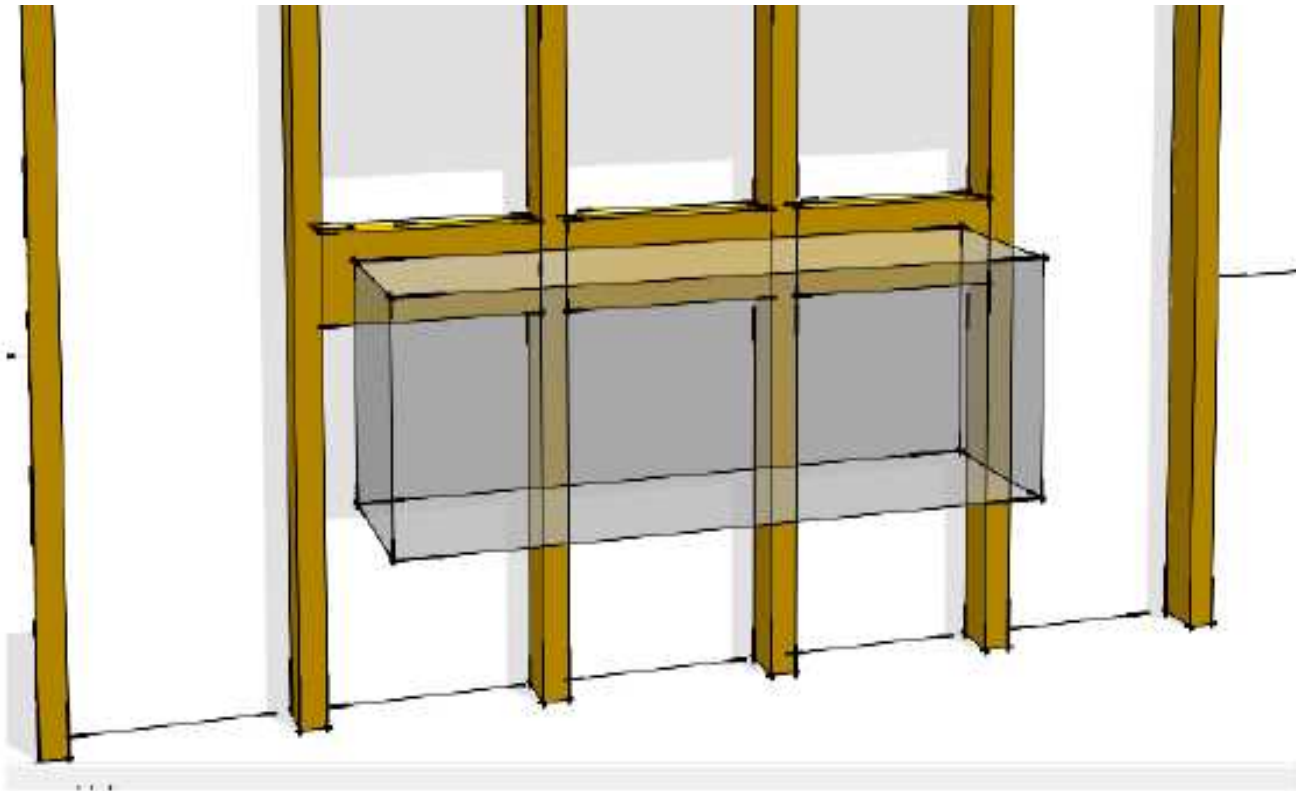


DRAWERS



PRODUCT CODE
MC 1800CH

W 70 3/4" X H 21 3/4"
X D 18 1/4"



FLOATING VANITY

FLOATING CABINETRY ARE REQUIRED TO BE REINFORCED WITH TWO OR THREE LAYERS OF 2X6 STUDS BETWEEN THE STUDS.

FOR VANITY, HEIGHT OF BLOCKING SHOULD BE AT THE TOP OF THE CABINETRY (NOT INCLUDING COUNTERTOP)