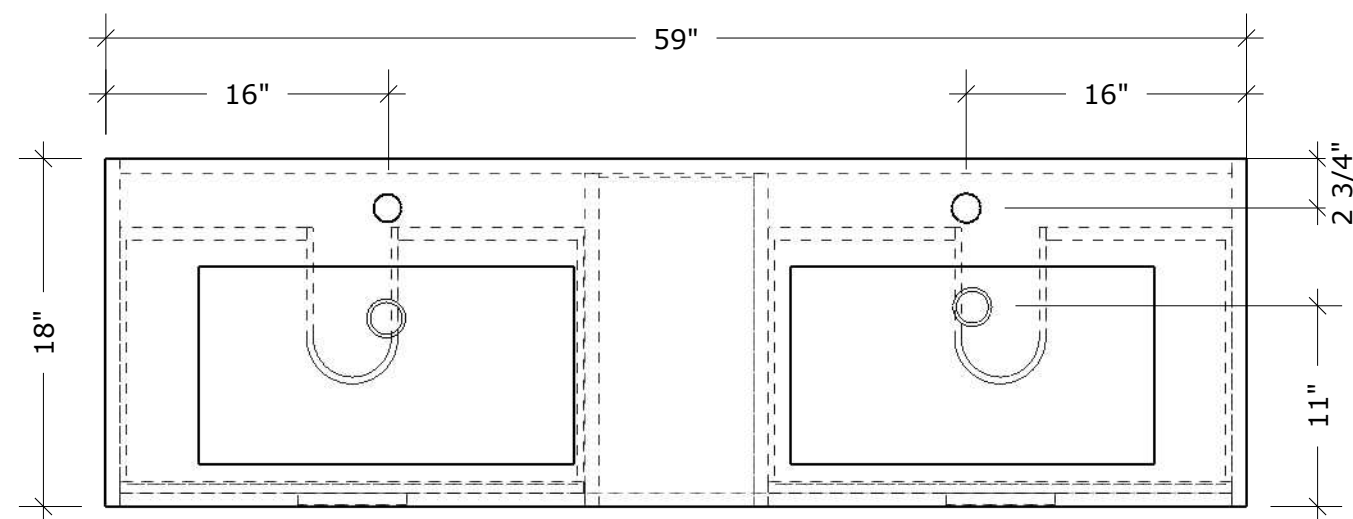
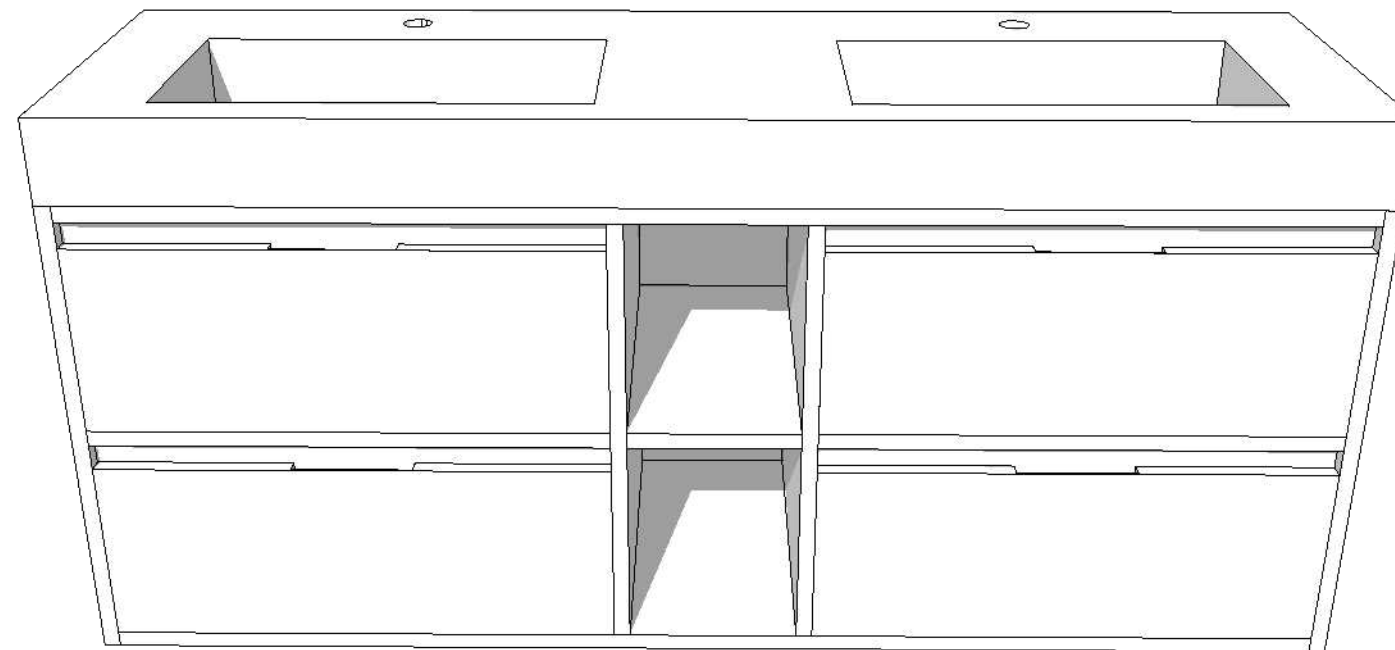
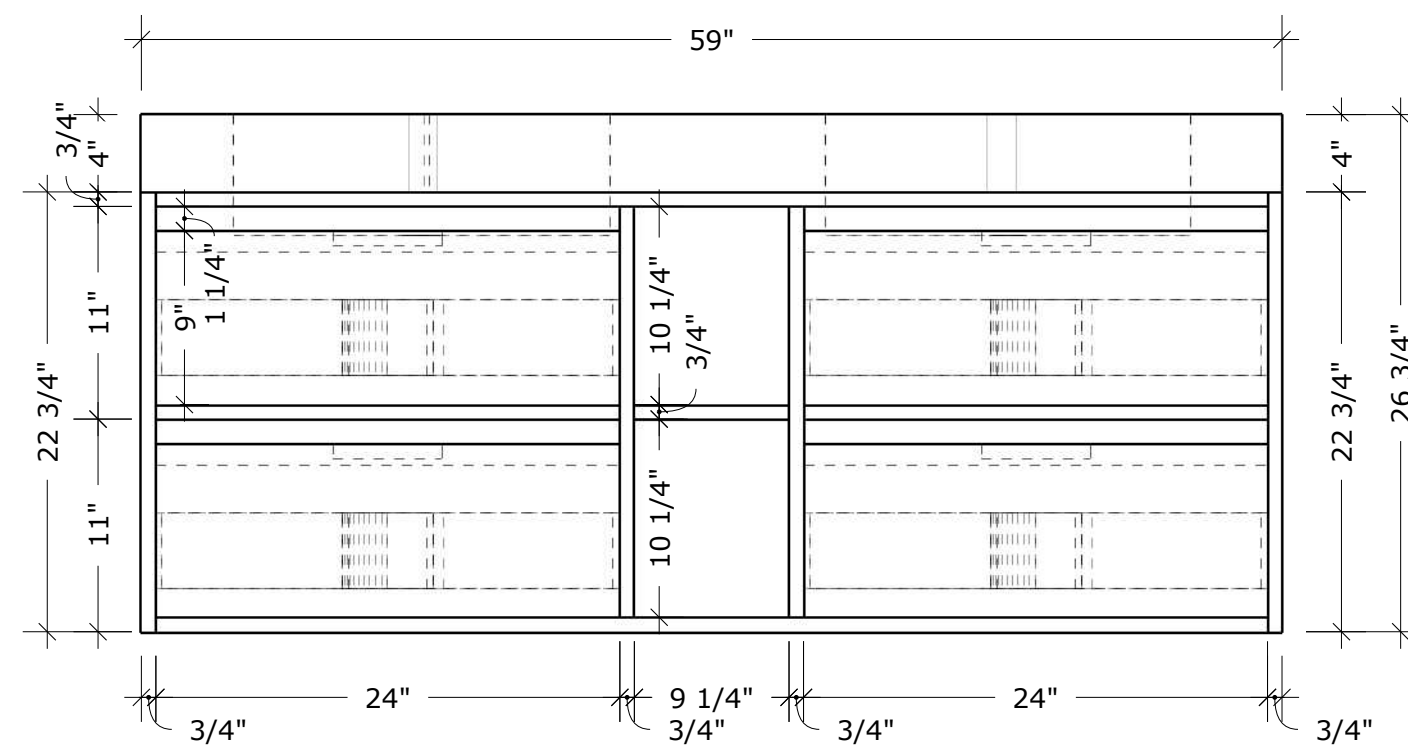


**OVERALL
DIMENSIONS**

W59" X H26 3/4" X D18"



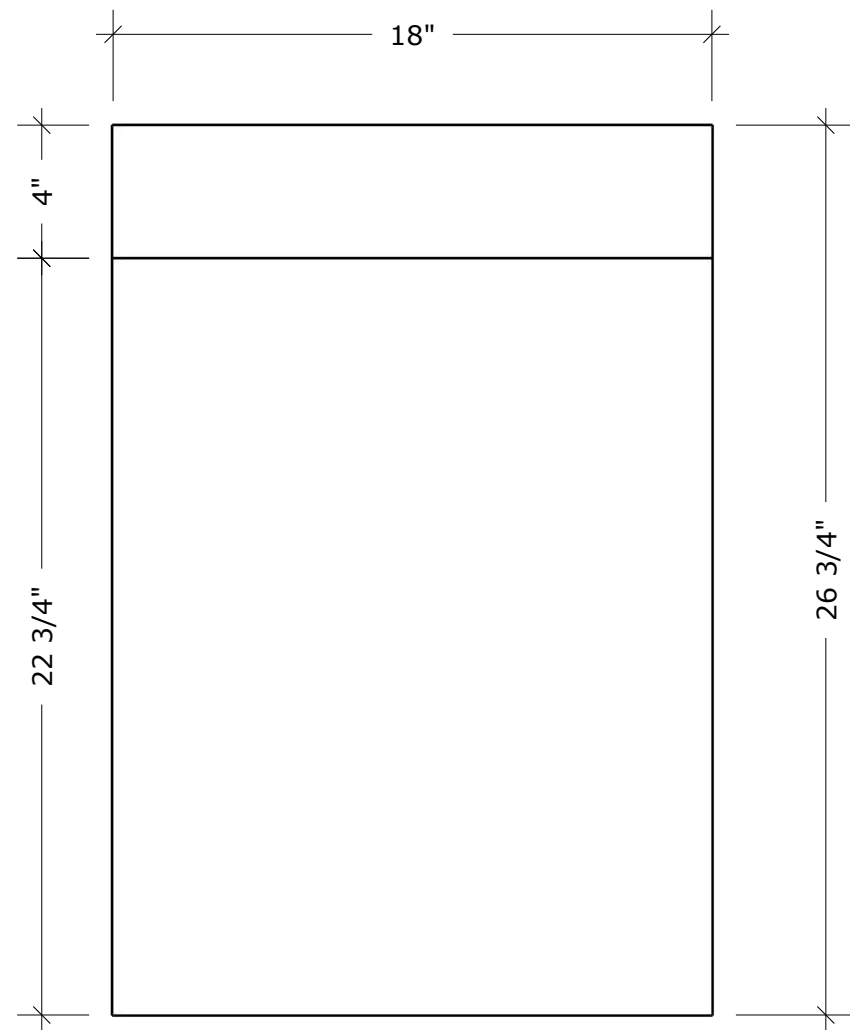
PLAN



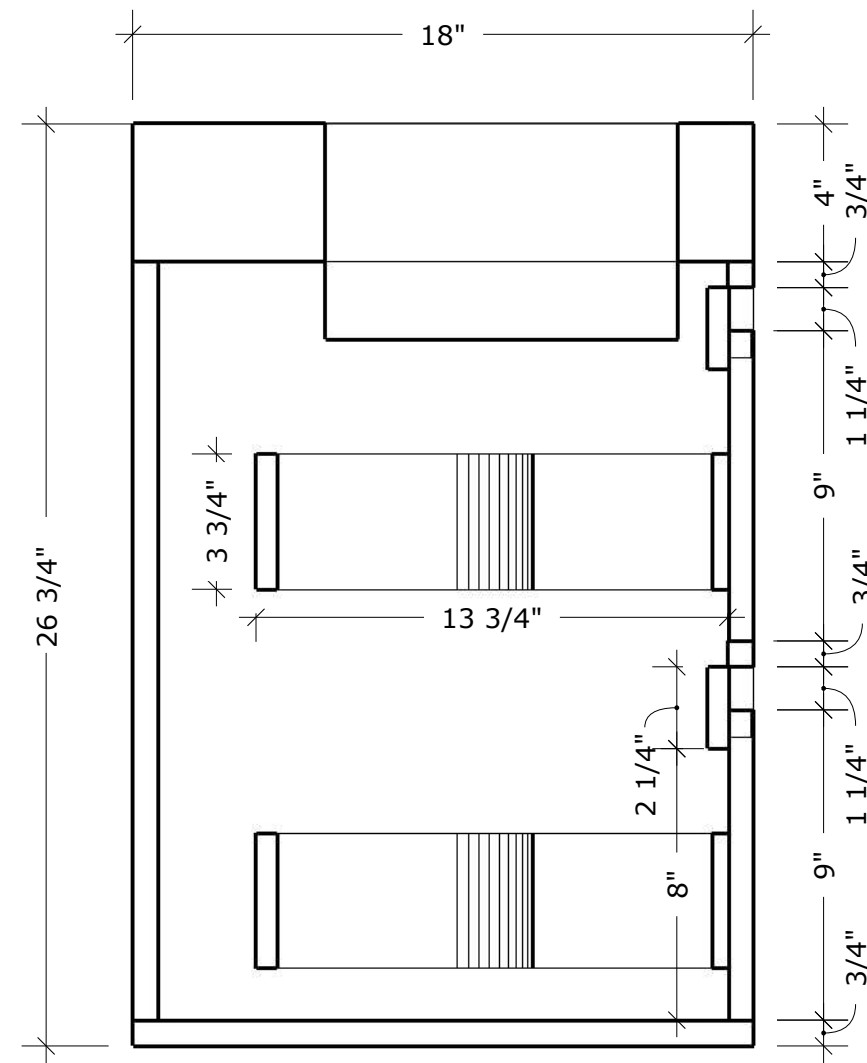
FRONT ELEVATION

**OVERALL
DIMENSIONS**

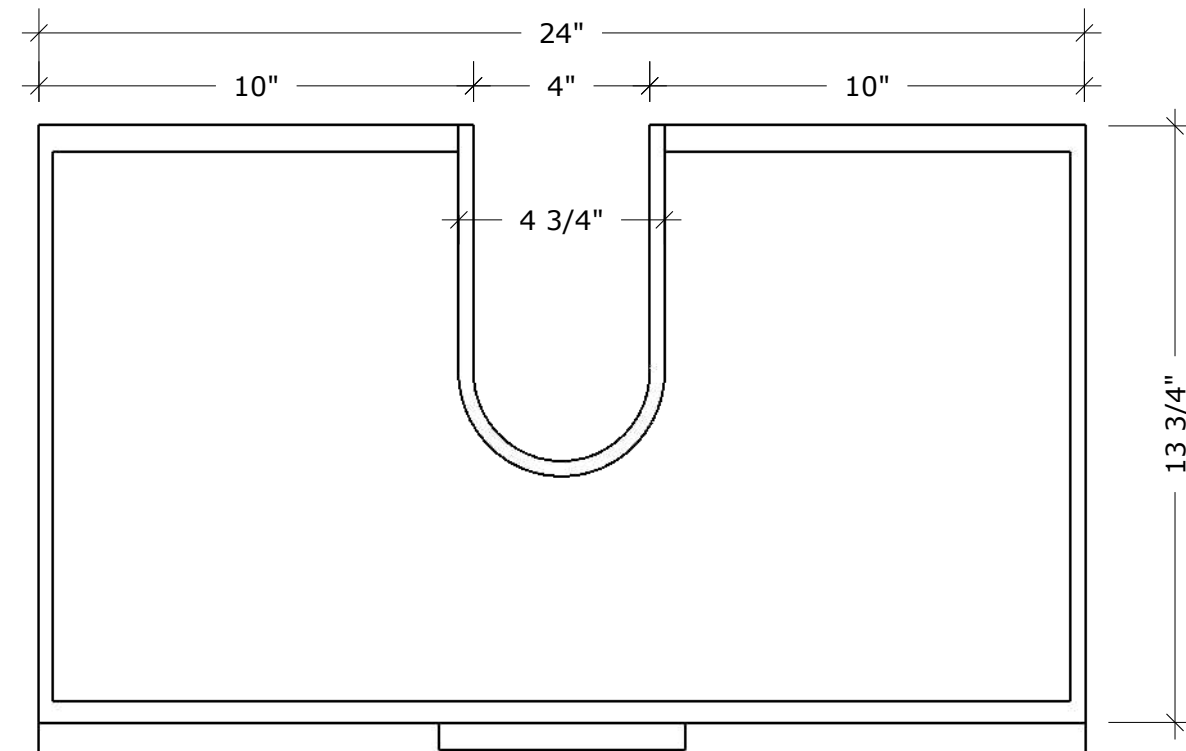
W59" X H26 3/4" X D18"



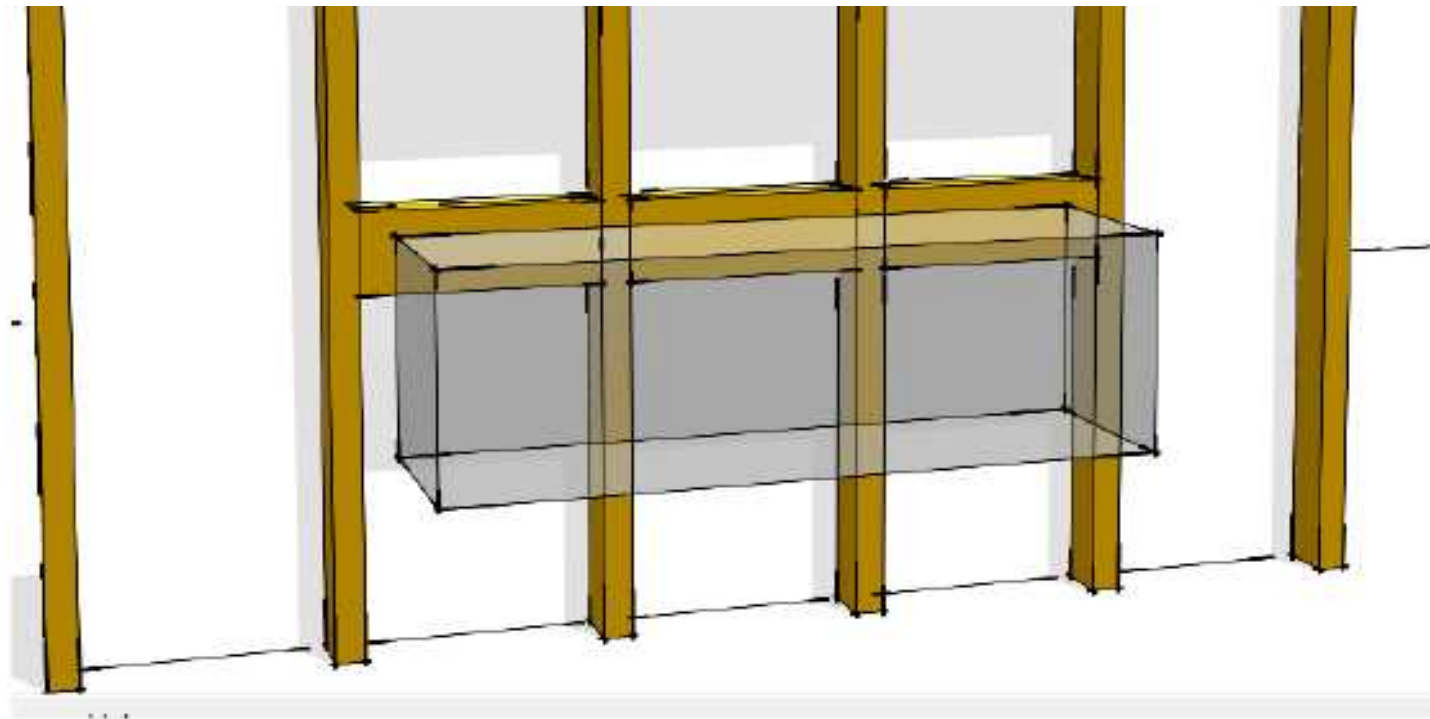
SIDE ELEVATION



SECTION CUT



DRAWER



FLOATING VANITY

FLOATING CABINETRY ARE REQUIRED TO BE REINFORCED WITH TWO OR THREE LAYERS OF 2X6 STUDS BETWEEN THE STUDS.

FOR VANITY, HEIGHT OF BLOCKING SHOULD BE AT THE TOP OF THE CABINETRY (NOT INCLUDING COUNTERTOP)