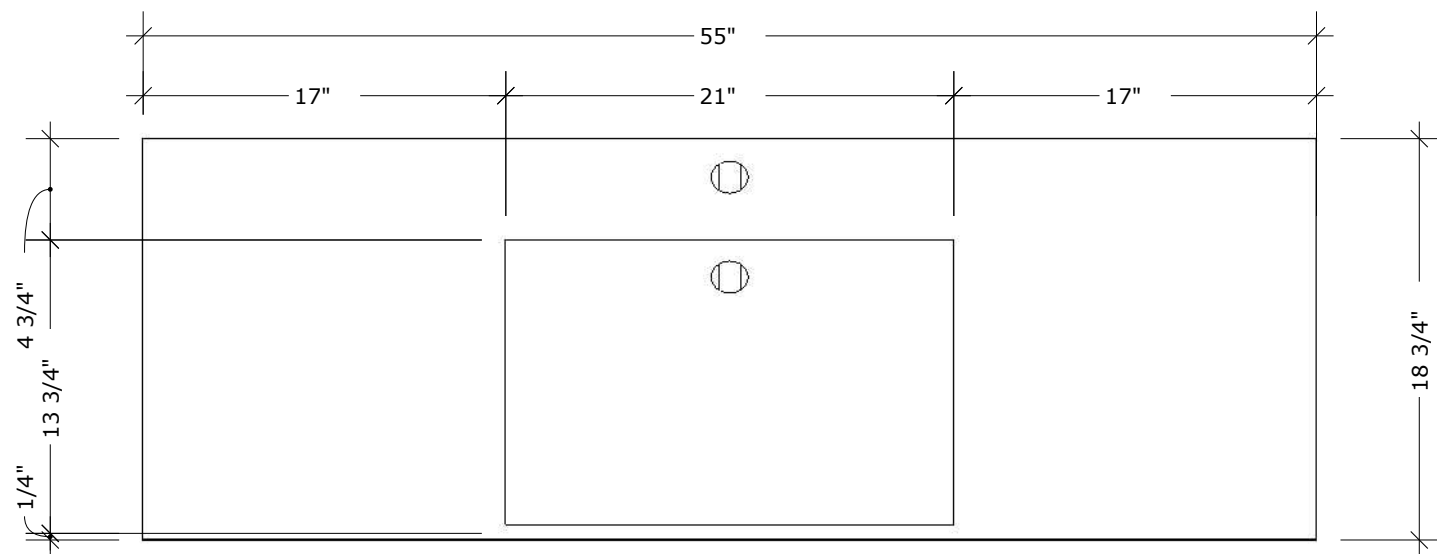
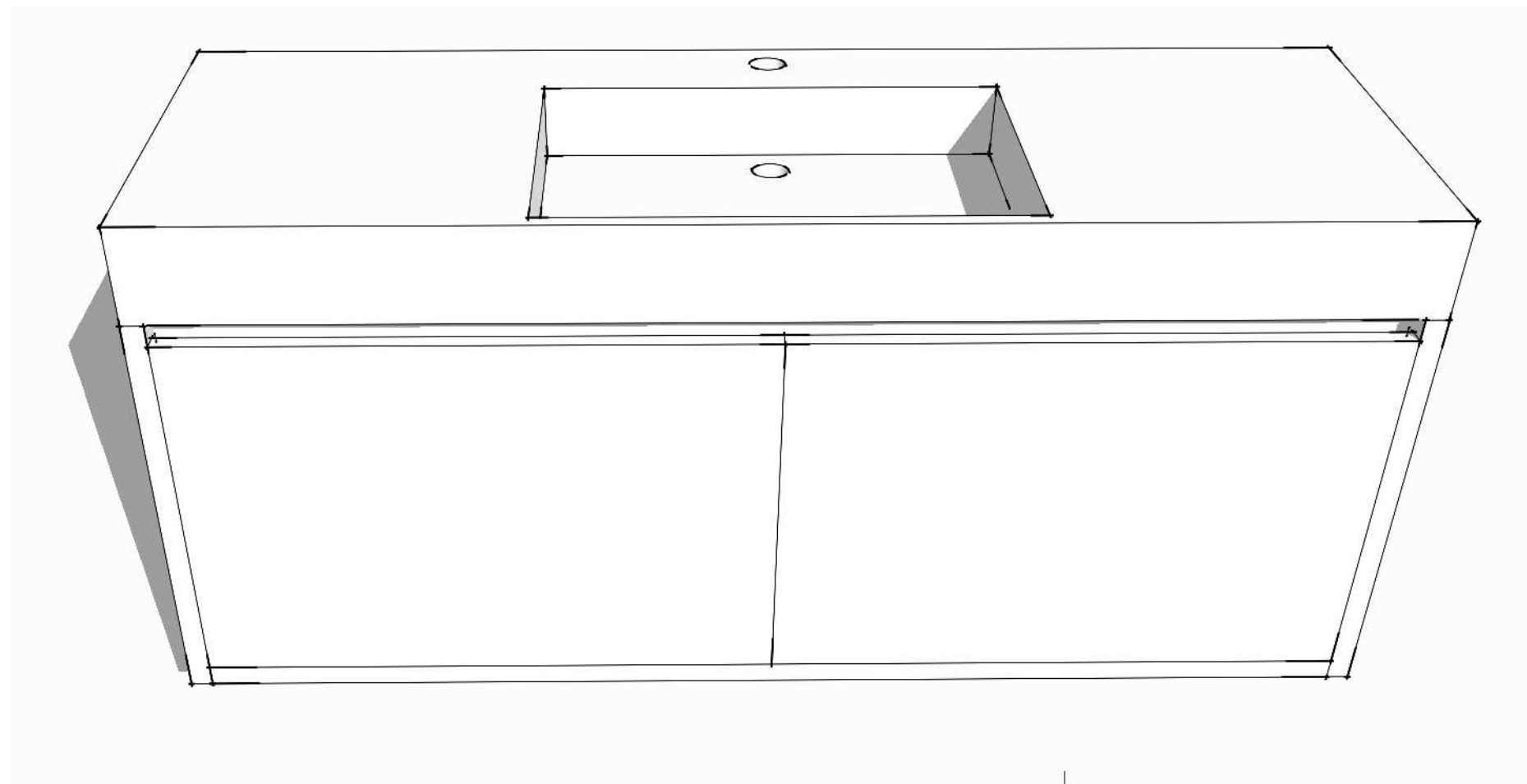
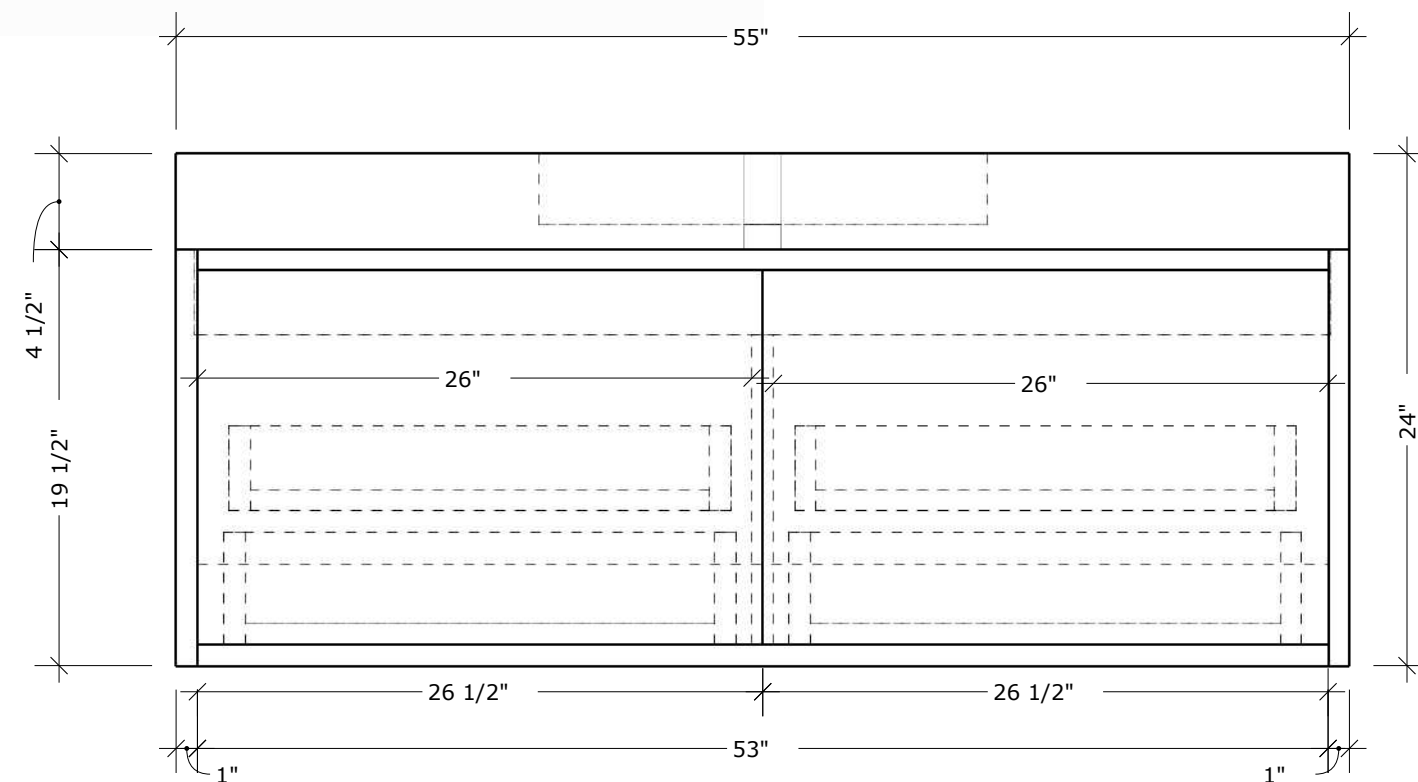


OVERALL DIMENSIONS

W 55" X H 24" X D 18"



TOP ELEVATION



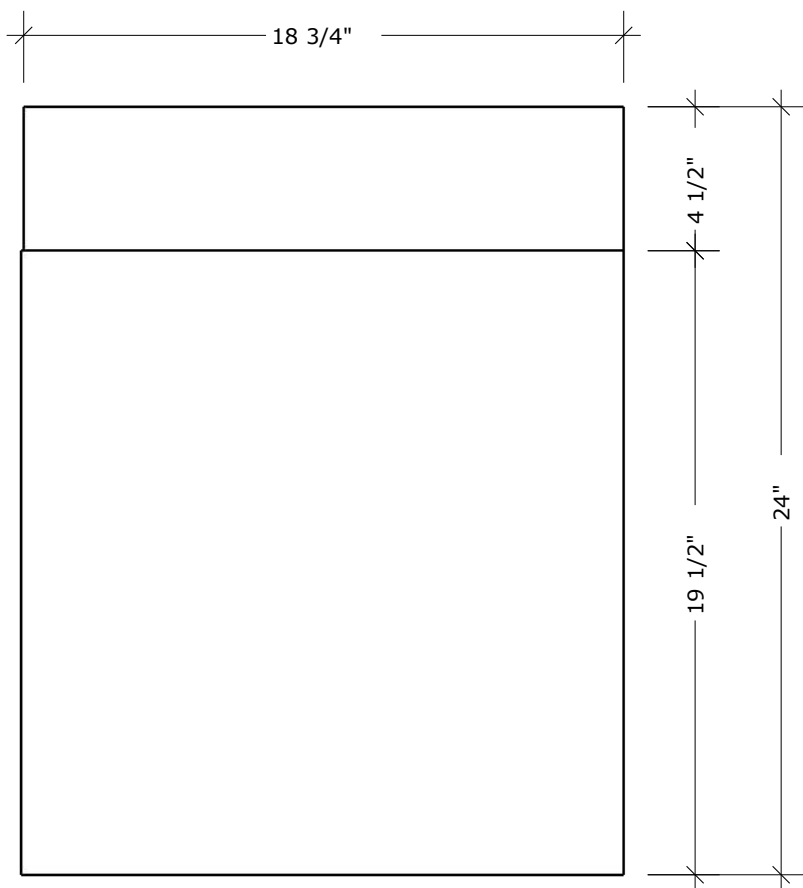
FRONT ELEVATION

VENETO BATH

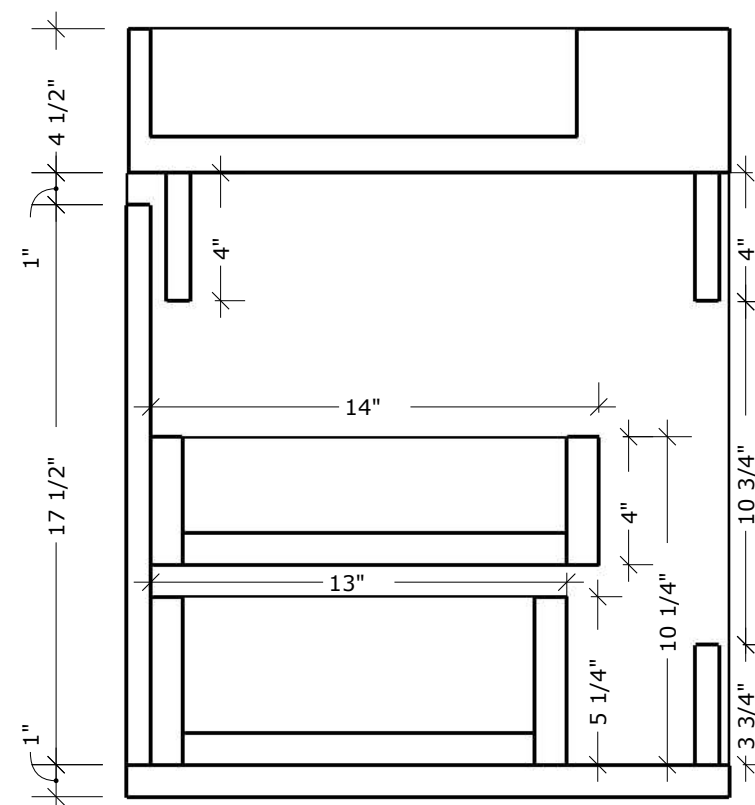
PRODUCT CODE
MC 1400T

OVERALL DIMENSIONS

W 55" X H 24" X D 18"

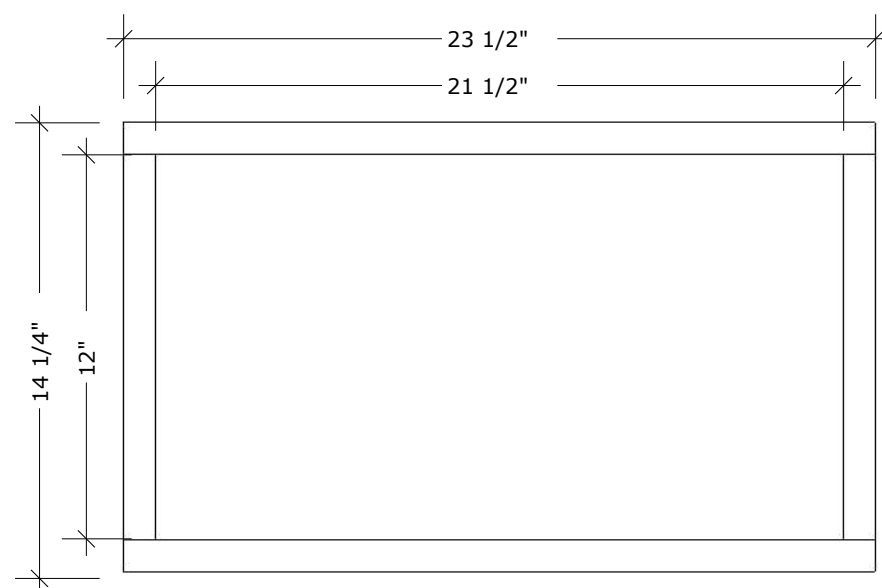


SIDE ELEVATION

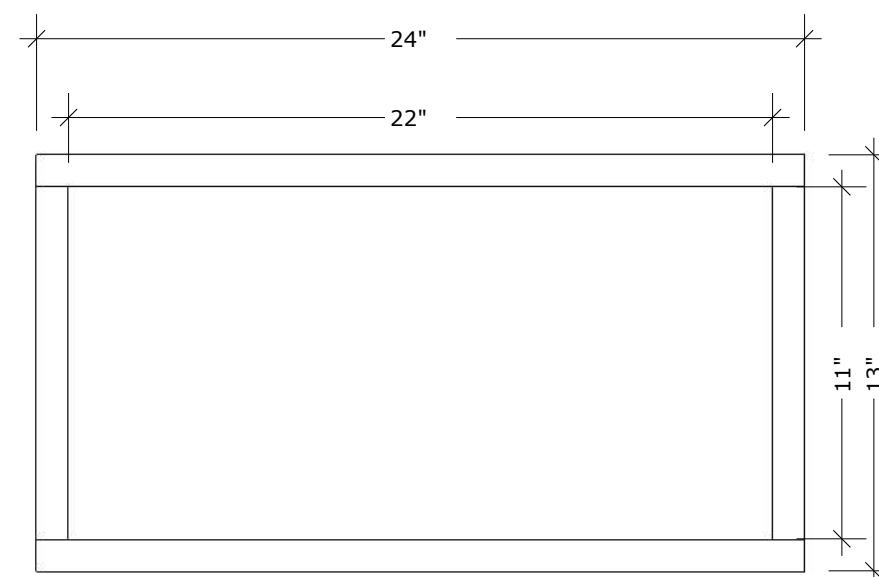


APPROXIMATE HEIGHT OF HANGING MECHANISM FROM TOP OF VANITY

SECTION CUT



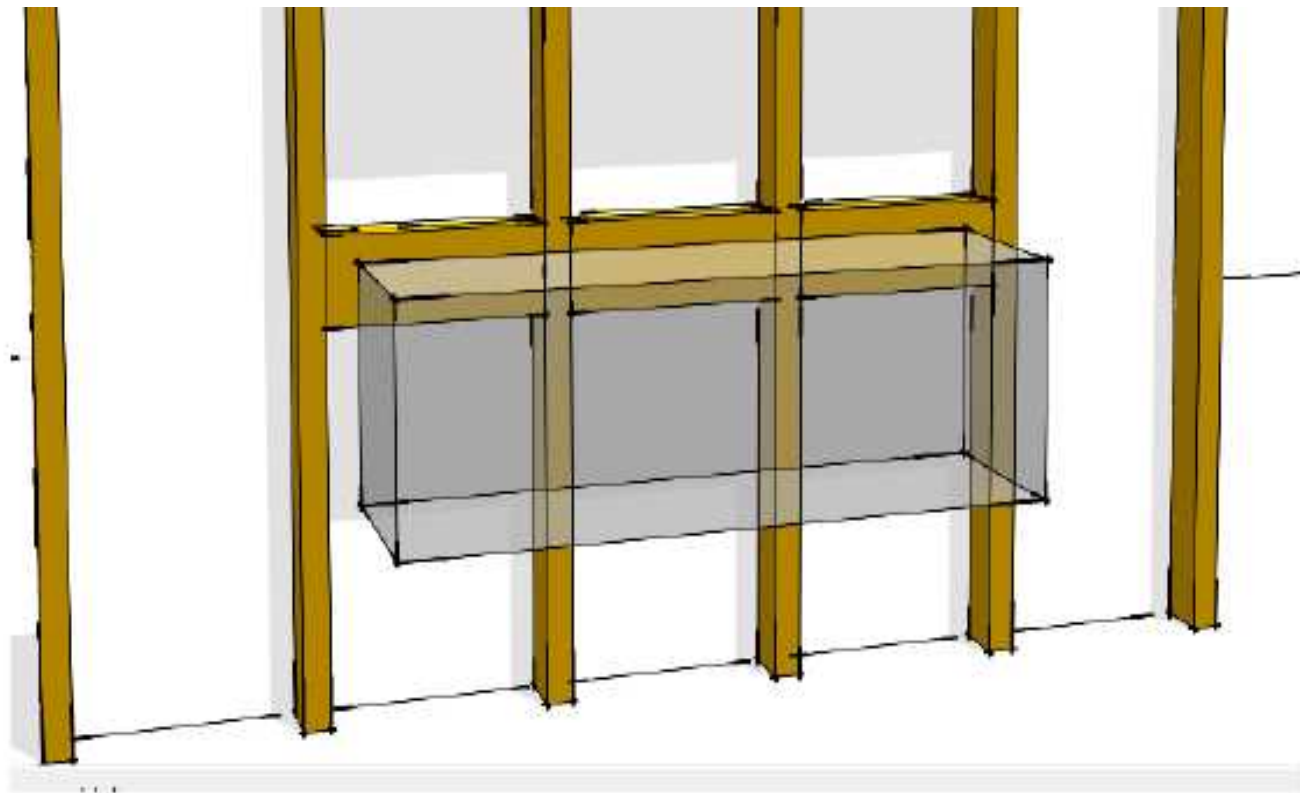
TOP INNER DRAWER



BOTTOM DRAWER



PRODUCT CODE
MC 1400T



FLOATING VANITY

FLOATING CABINETRY ARE REQUIRED TO BE REINFORCED WITH TWO OR THREE LAYERS OF 2X6 STUDS BETWEEN THE STUDS.

FOR VANITY, HEIGHT OF BLOCKING SHOULD BE AT THE TOP OF THE CABINETRY (NOT INCLUDING COUNTERTOP)