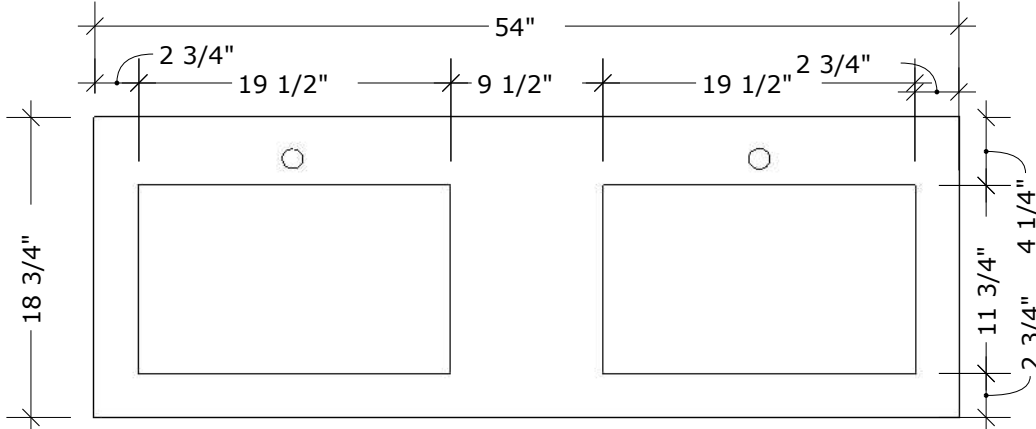
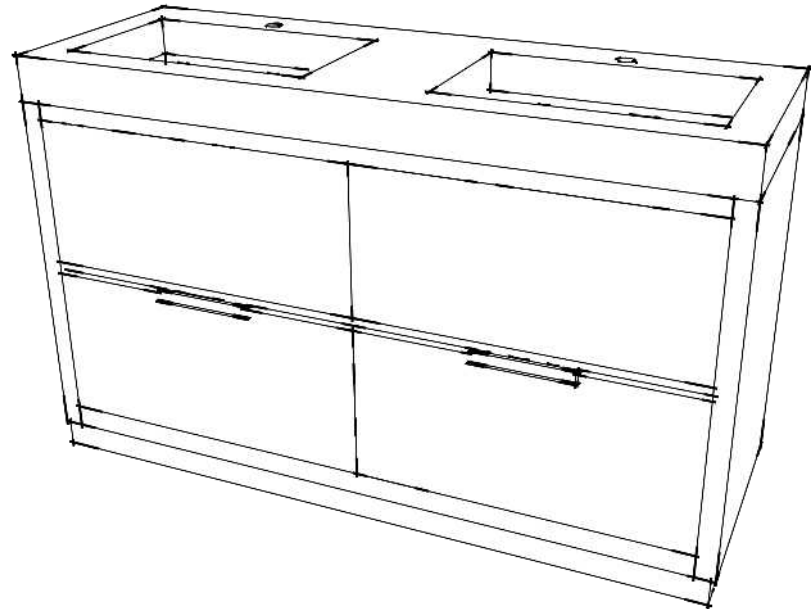
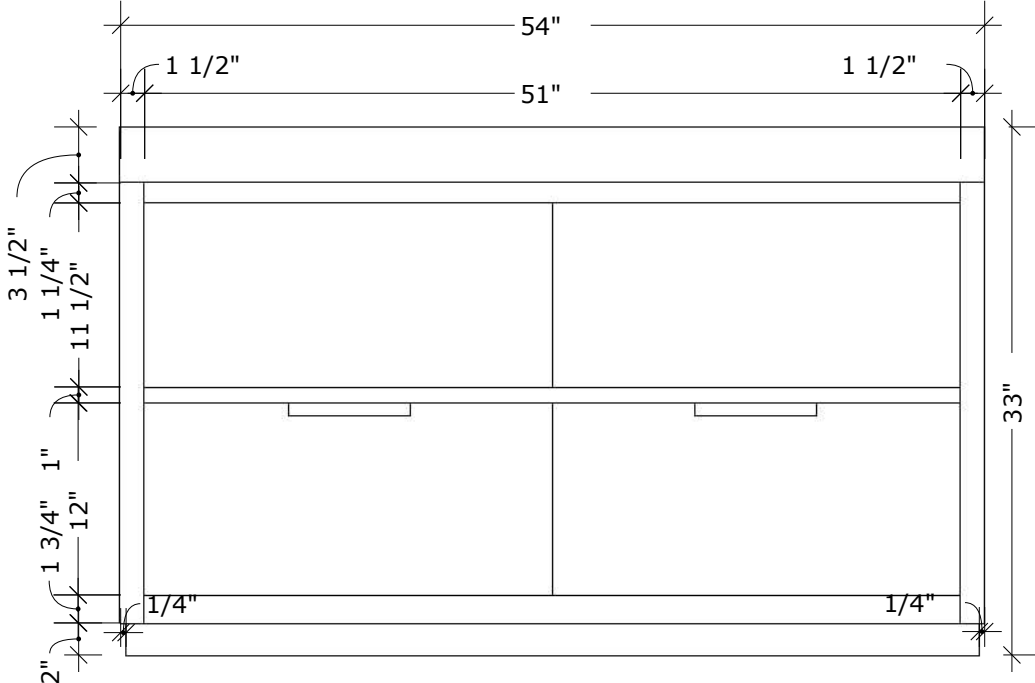


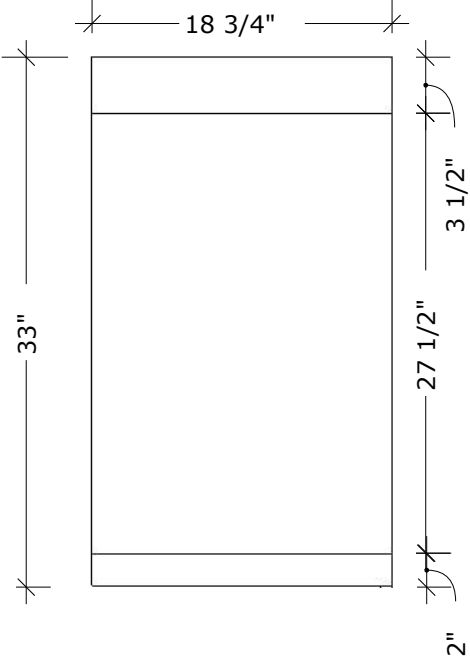
W54" X H33" X D19 1/2"



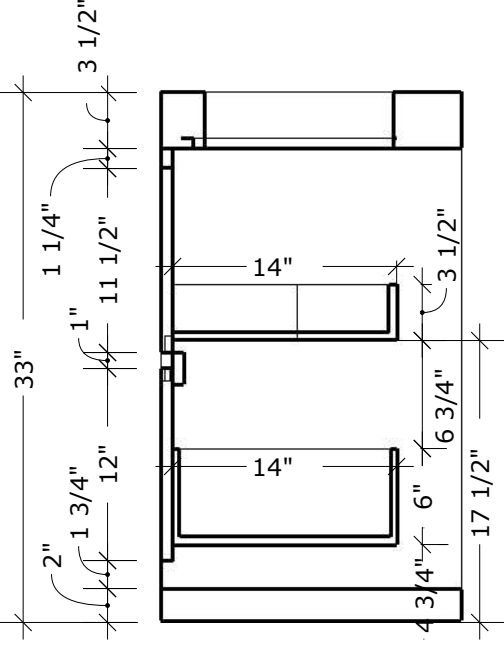
PLAN



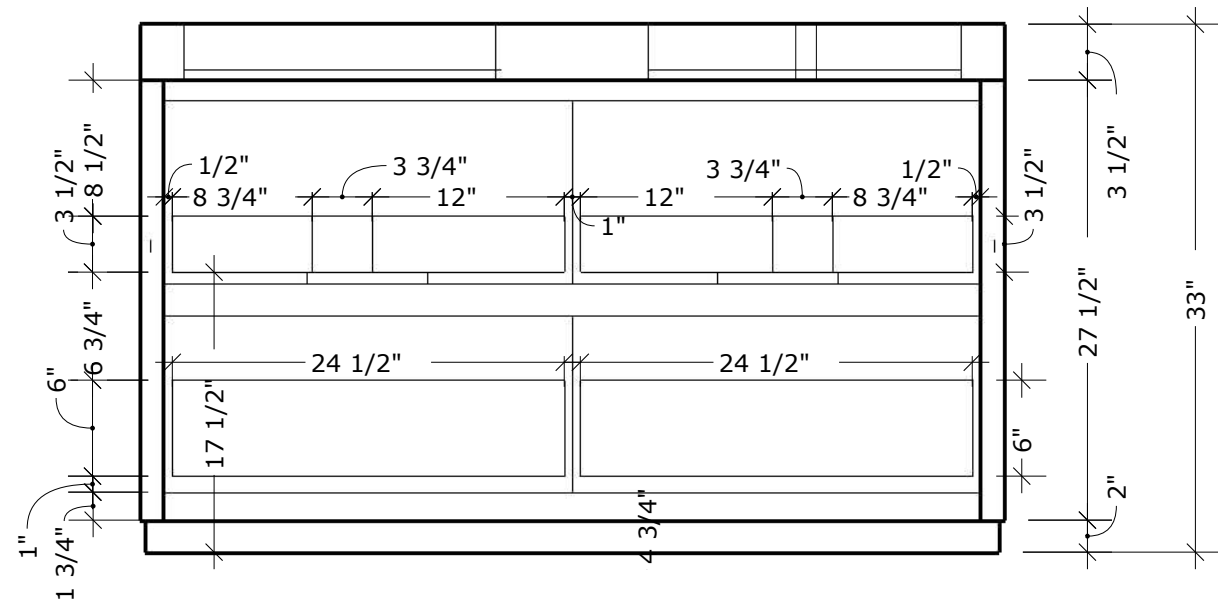
FRONT ELEVATION



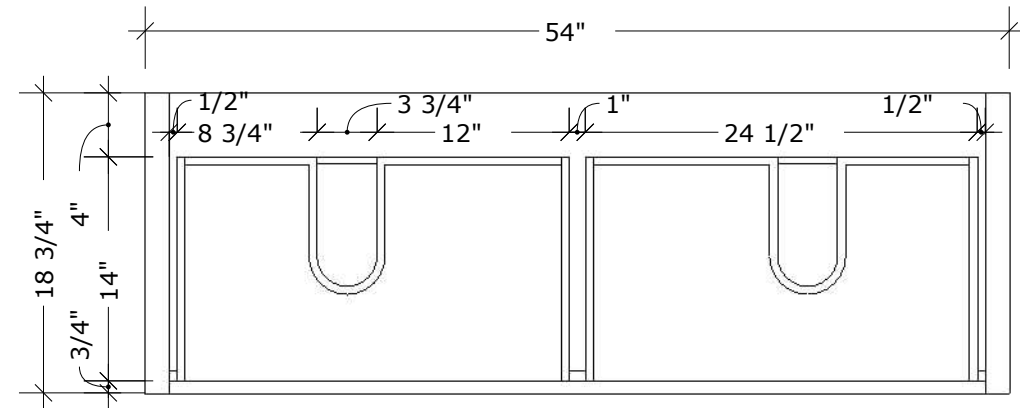
SIDE ELEVATION



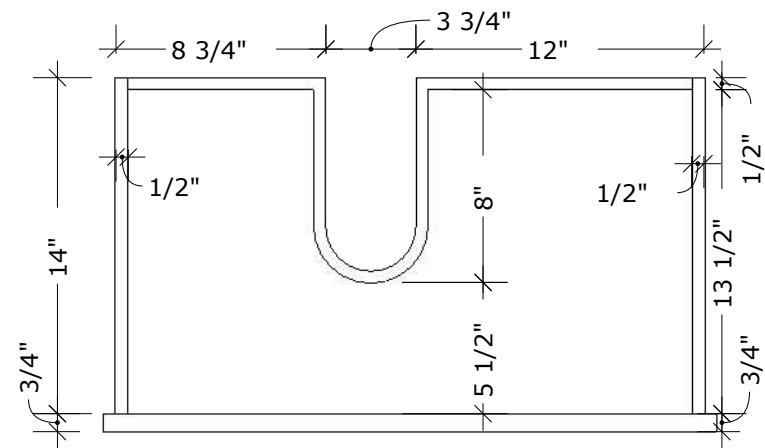
SECTION CUT



BACK ELEVATION



UPPER DRAWER TOP ELEVATION



UPPER DRAWER DETAIL