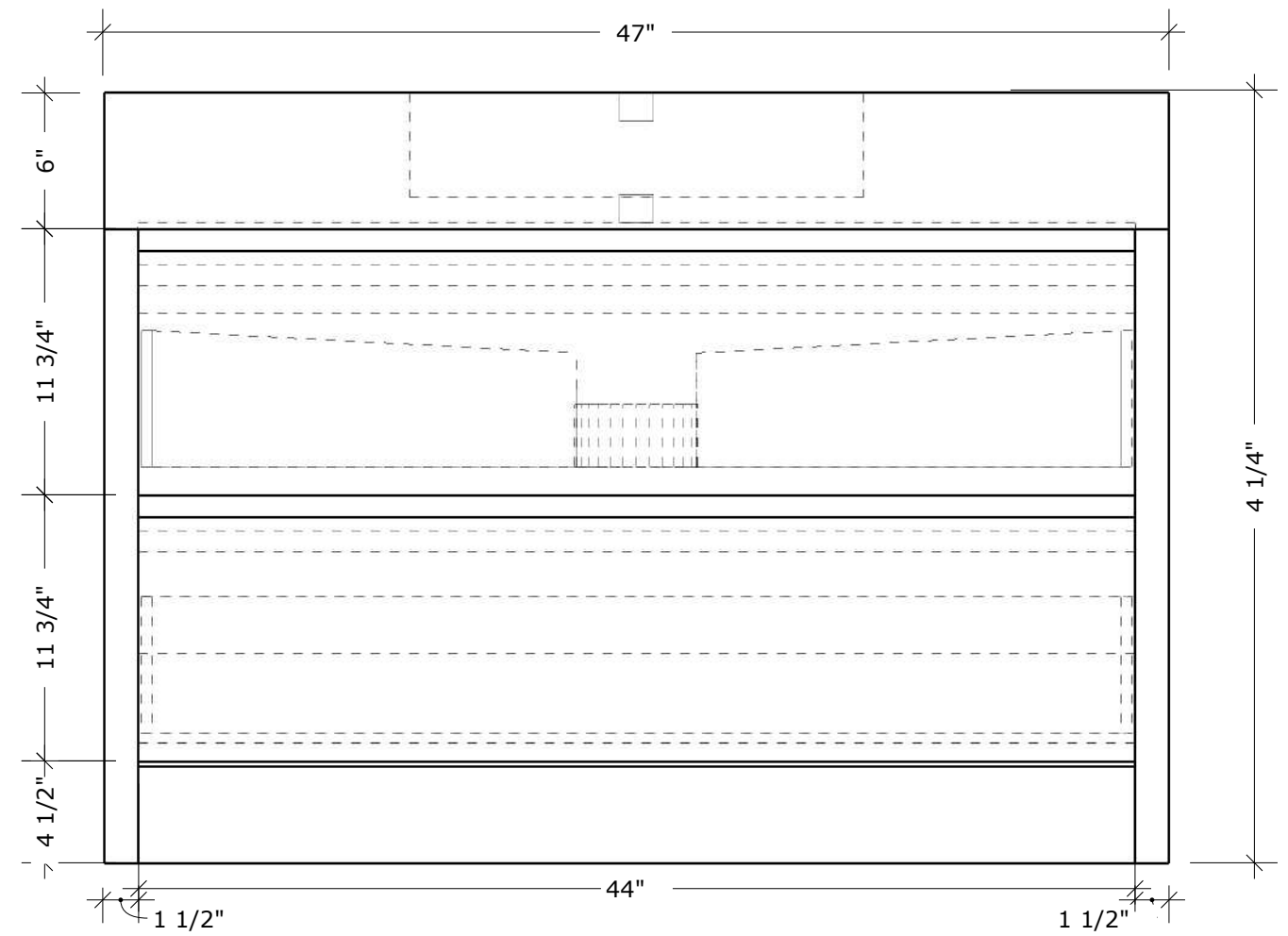
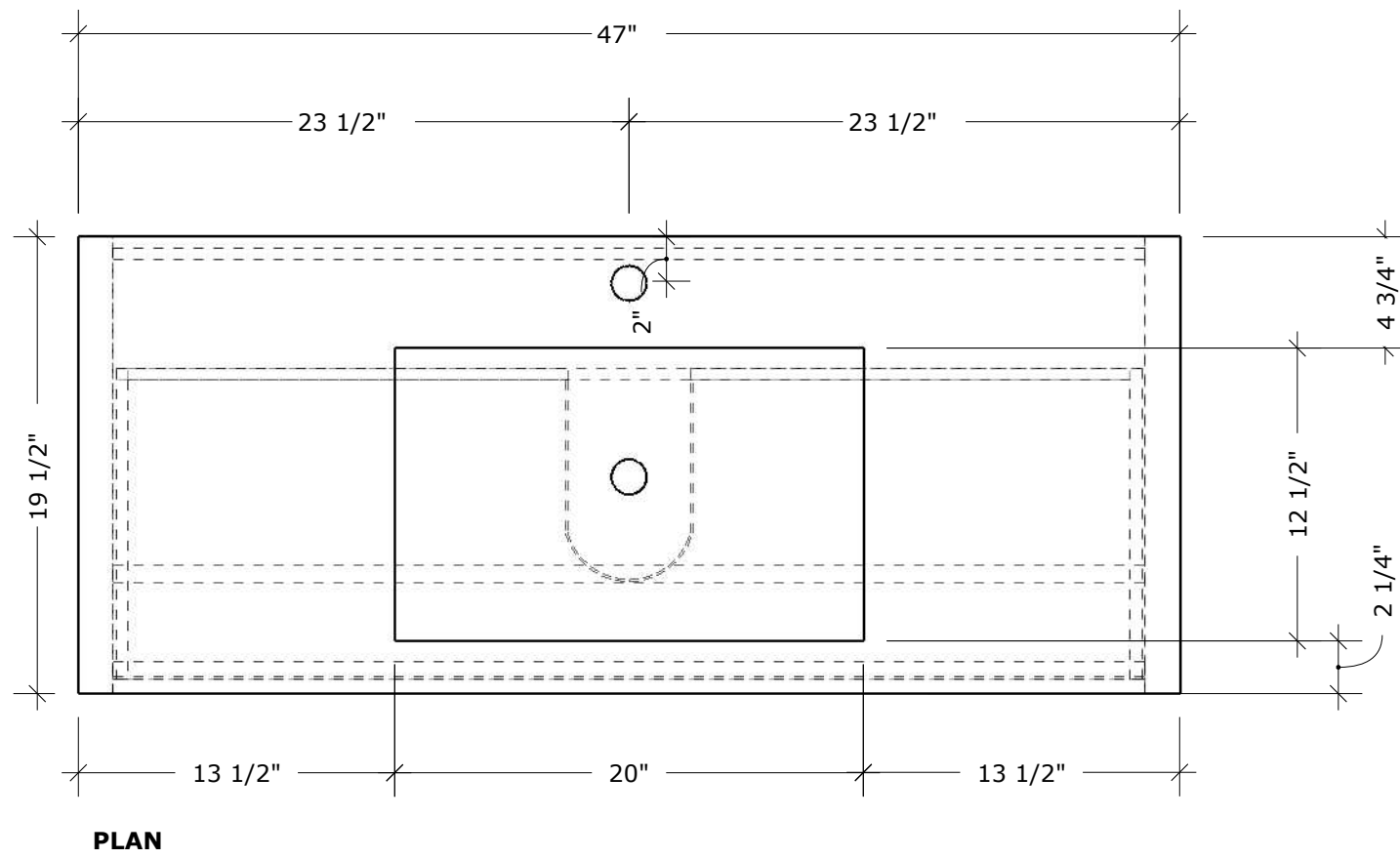
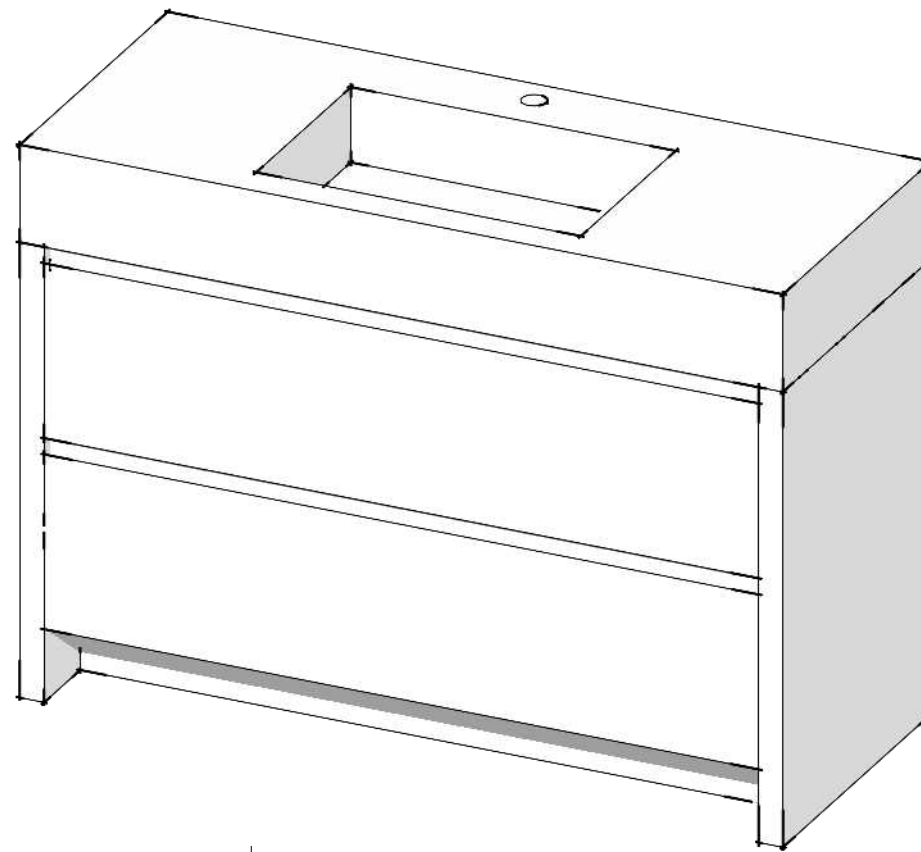
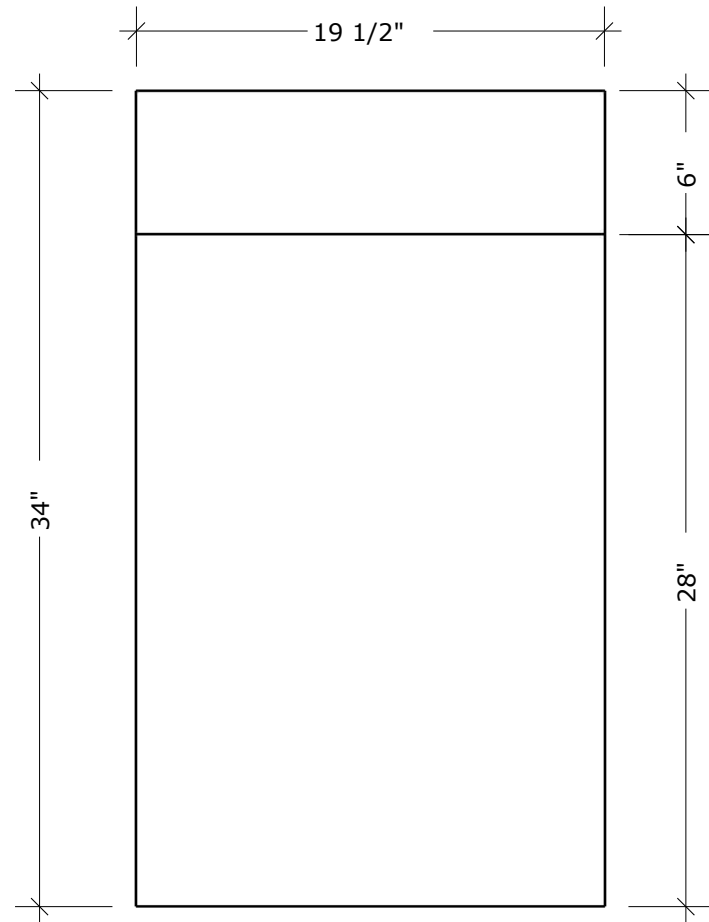


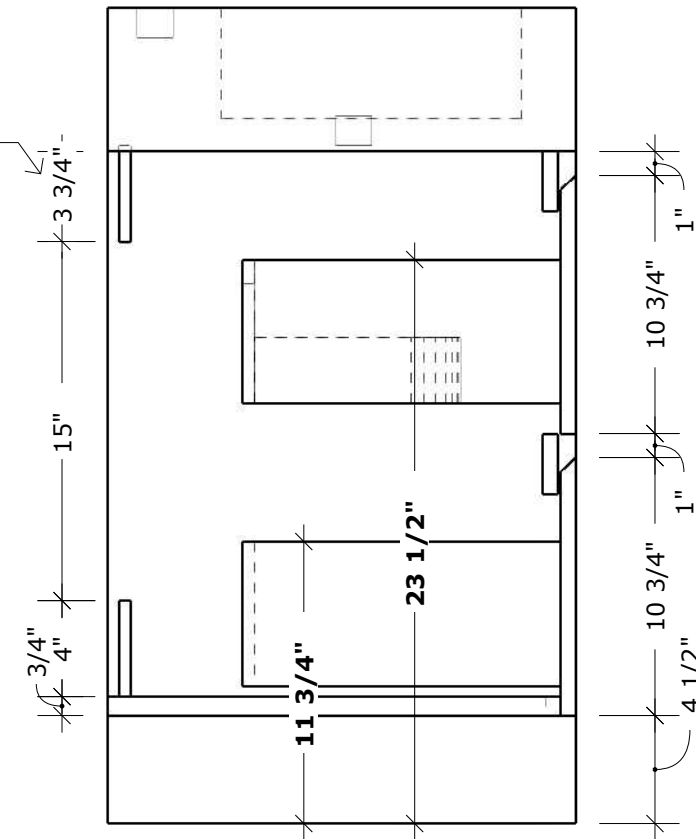
W47" X H4 1/4" X D19 1/2"



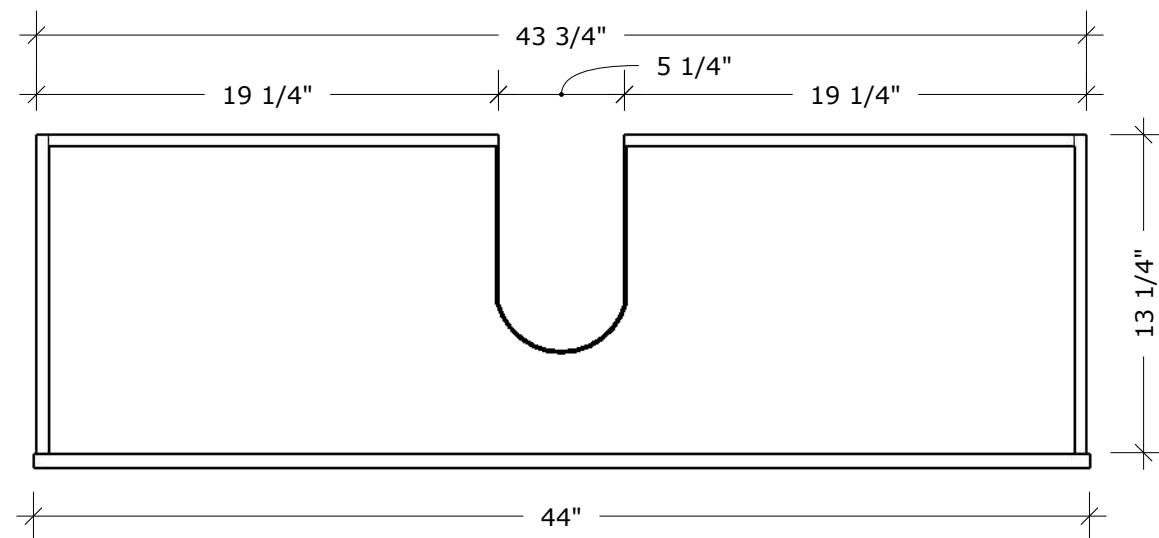


**SIDE ELEVATION**

**APPROXIMATE HEIGHT OF HANGING MECHANISM FROM TOP OF VANITY**



**SECTION CUT**



**DRAWER**