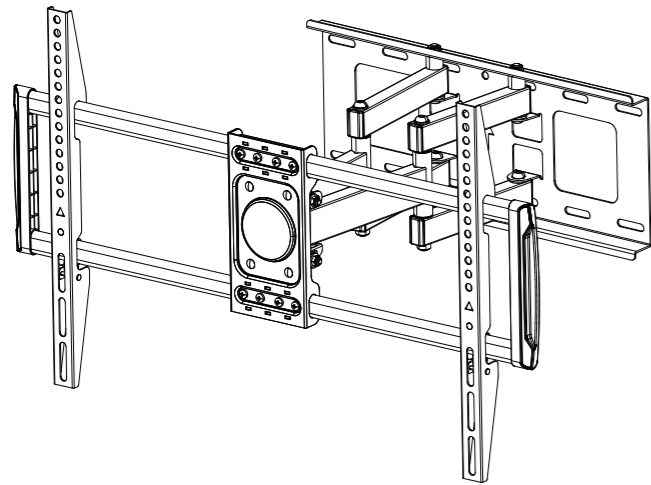


INSTALLATION INSTRUCTION



Max: 600x400mm/24x16"
Min: 150x100mm/6x4"

YZ2207-Y-US2

If you have any questions, please feel free to contact us via Amazon.

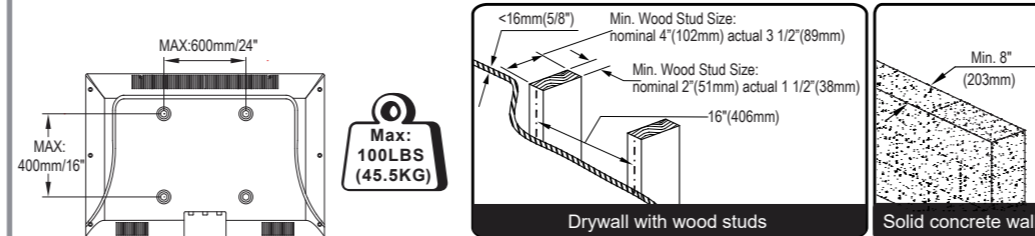
Safety Caution

Please read this instruction carefully before installation. If you do not understand these instructions or have doubts about the safety of the installation, assembly or use of this product, please contact us.

- This product is designed for use in wood stud or solid concrete wall. - **DO NOT install into drywall alone.**
- The wall must be capable of supporting five times the weight of the TV and mount combined.
- Incorrect installation may result in product damage or body injury.

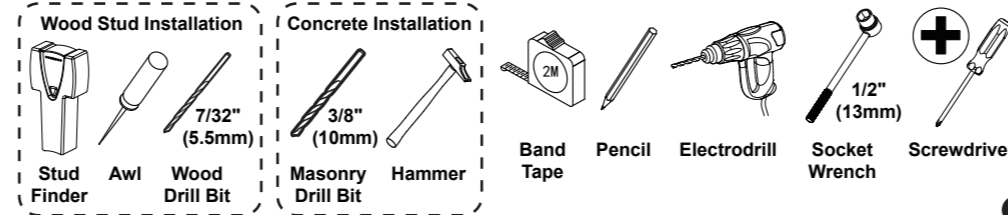
⚠ WARNING: This product contains small items that could be a choking hazard if swallowed. Before starting assembly, verify all parts are included and undamaged. For parts shortage or damage, please contact us.

Must Check Before Getting Started

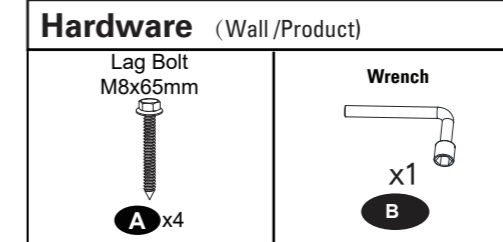
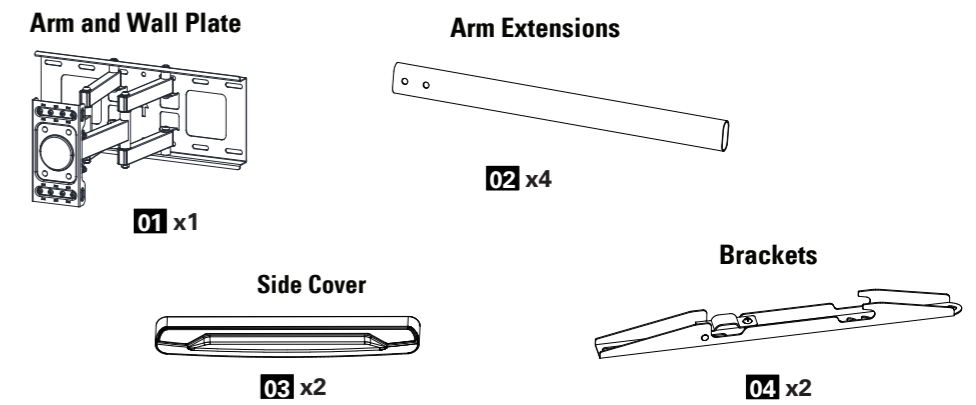


⚠ CAUTION: DO NOT install into drywall alone.

Installation Tools (Not Included)



Hardware Included

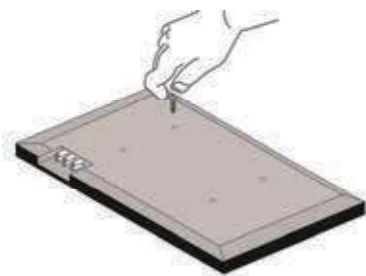


TV Screws / Washers

Philips Screws M4 x 12mm M4 x 30mm	Philips Screws M6 x 15mm M6 x 30mm	Philips Screws M8 x 25mm M8 x 45mm	Spacers L10mm	Washers Ø6mm M4-5-6	Spacers L5mm
x4	x4	x4	x8	x4	x8
M-A	M-B	M-C	M-D	M-E	M-F

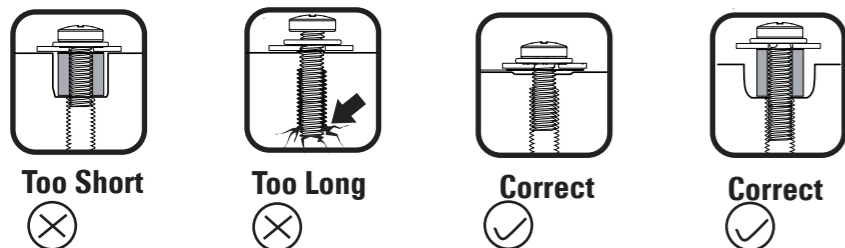
Step 1-1 Select TV screw diameter

1-1 Select TV Screws. TV screws specification can be found in your TV user manual. Thread screws by hand into the threaded holes on the back of your TV to select which screw diameter fits your TV.



Step 1-2 Select TV screw length

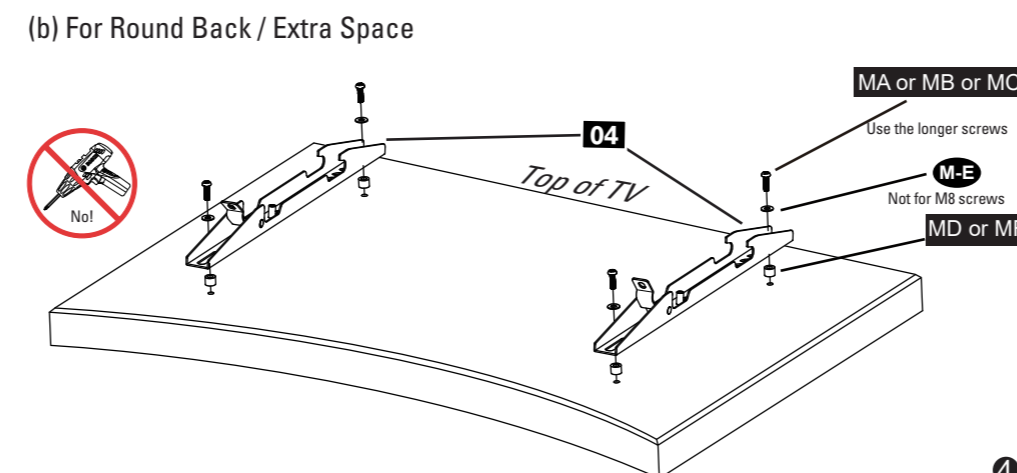
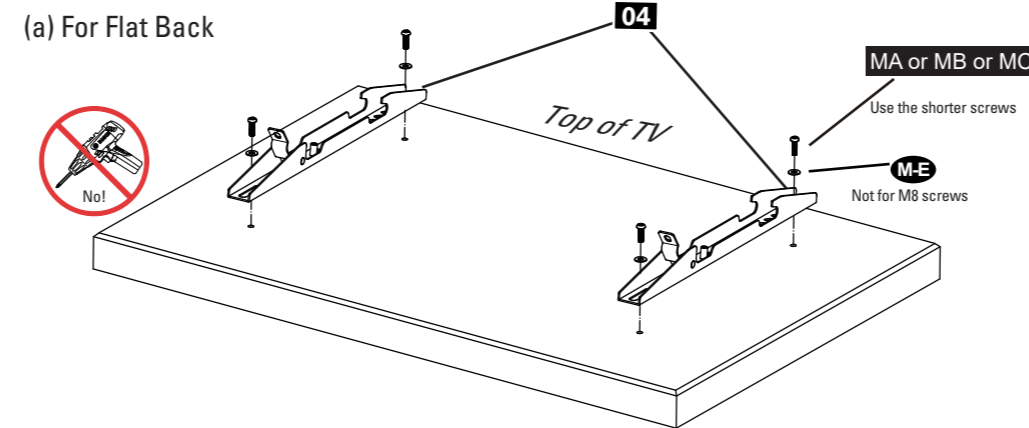
⚠ When attaching brackets to the flat screen, be careful not to over tighten screws and be sure that screws do not bottom out in the mounting holes.



3

Step 1-3 Attach the bracket

⚠ CAUTION: Ensure bracket is securely fastened before moving on to the next step.



4

Step 2A Wall plate installation (wood stud)

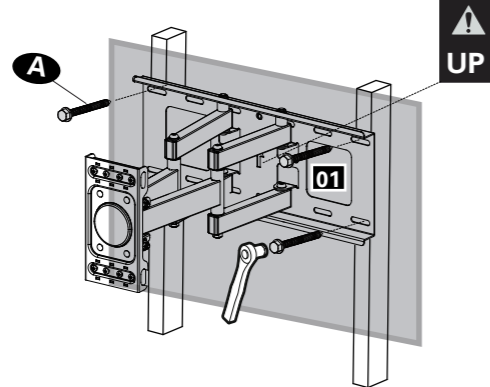
A-1 Locate your studs. Verify and mark the center of the studs by finding the stud edges using an awl, a thin nail, and an edge-to-edge stud finder.

A-2 Position the mounting template at your desired height and line up the holes with your stud center line. Level the mounting template and mark the pilot hole locations.

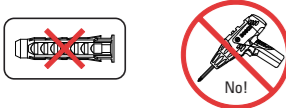
A-3 Drill pilot holes using a 7/32 in. (5.5 mm) diameter drill bit.

⚠ IMPORTANT: Pilot holes must be drilled to a depth of 2 3/4 in (70 mm). Be sure to drill into the center of the stud.

5

A-4

To prevent the TV falling down, the Arrow Must Keep UP at this step!!

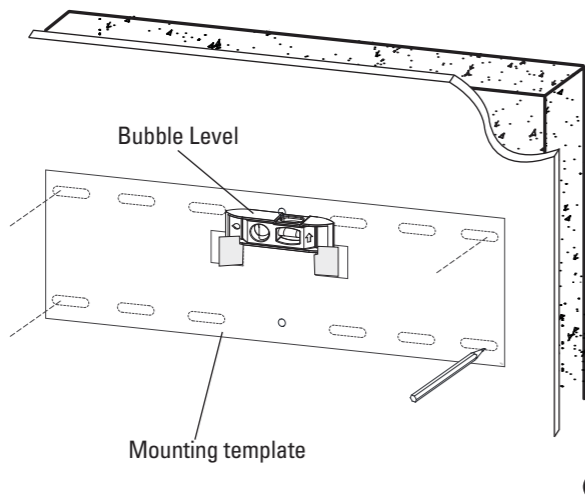


Install wall plate **01** using lag bolts **A** with **Socket Wrench**, **NO Electrodrill**. Tighten the lag bolts **A** until they are pulled firmly against the wall plate **01**.

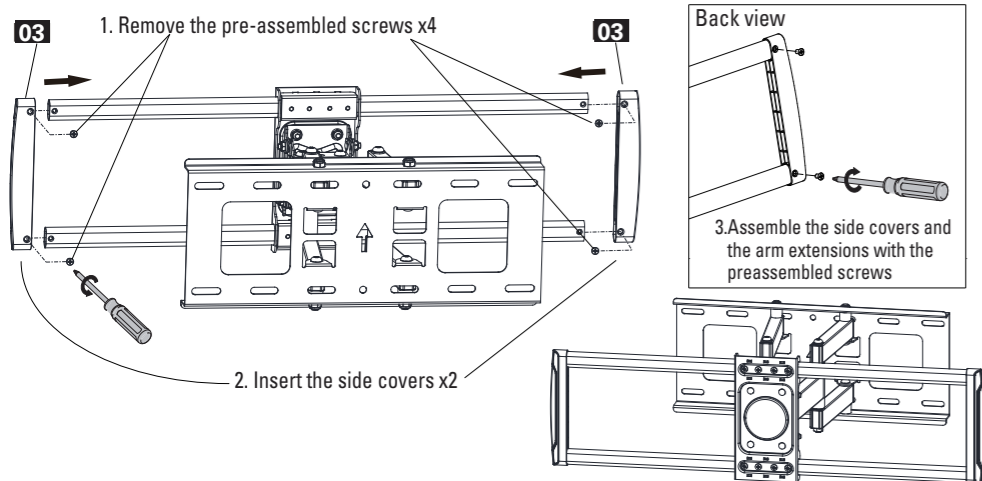
Step 3B Wall plate installation (concrete or brick)

B-1

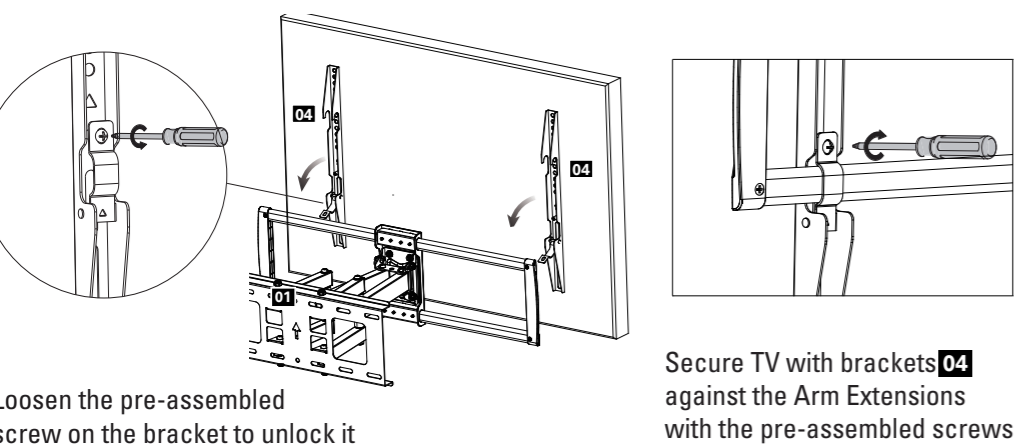
Position the mounting template at your desired height, level the mounting template and mark the pilot hole locations x4.



Step 4 Install Side covers and wall plate

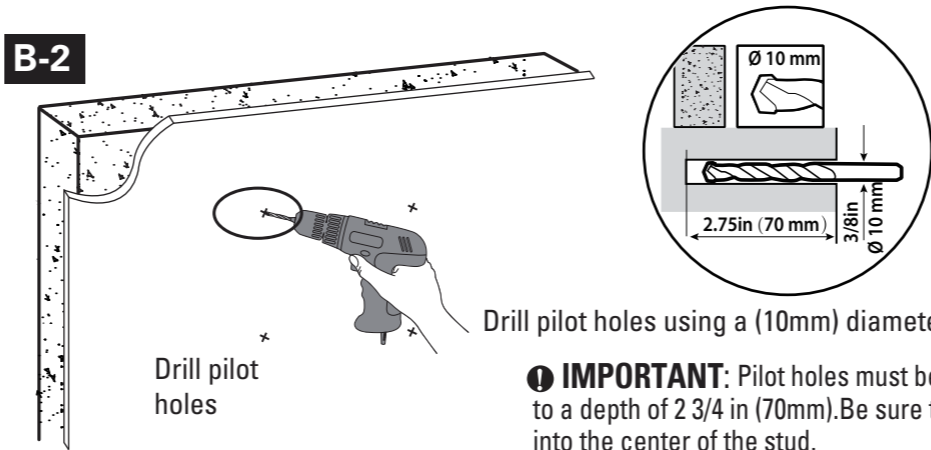


Step 5 Hang TV with brackets onto the arm extensions



Loosen the pre-assembled screw on the bracket to unlock it

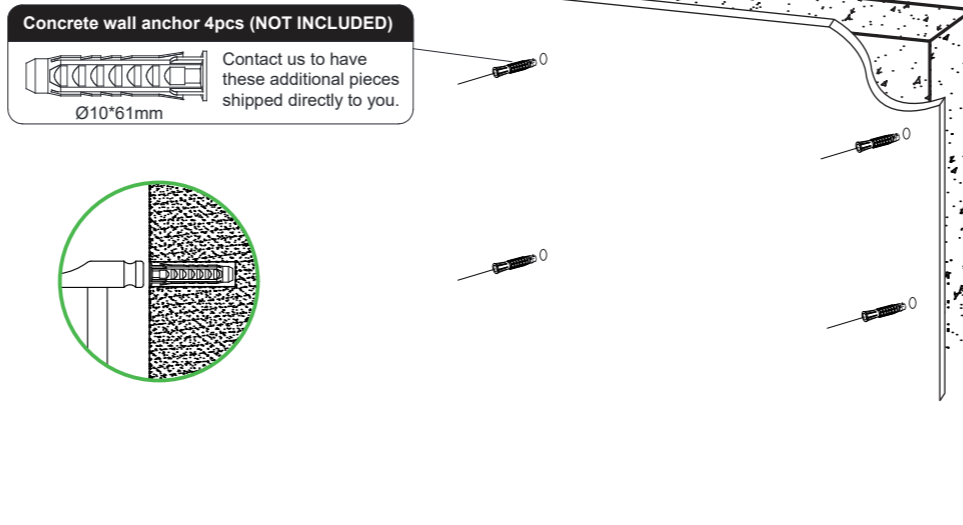
Secure TV with brackets **04** against the Arm Extensions with the pre-assembled screws.

B-2

Drill pilot holes

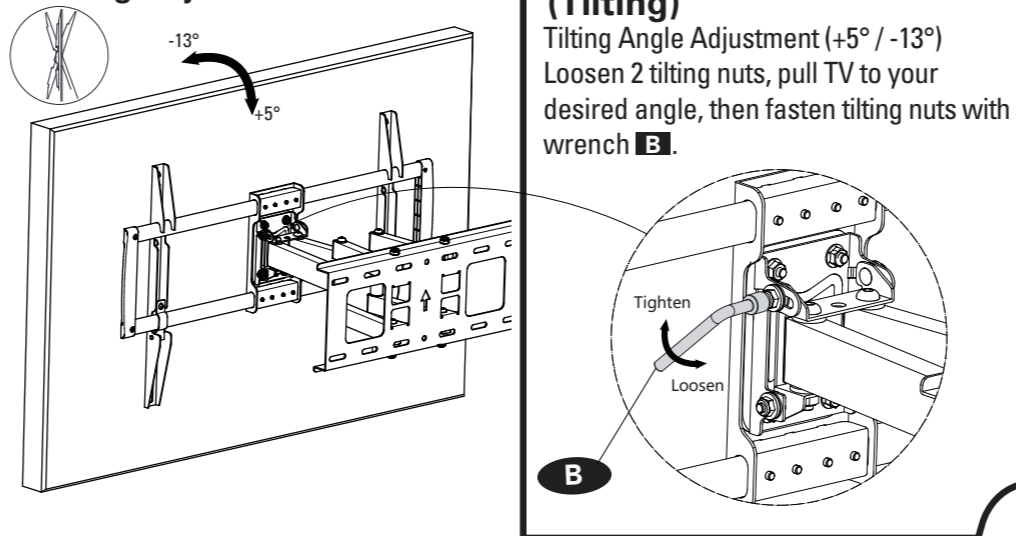
Drill pilot holes using a (10mm) diameter drill.

IMPORTANT: Pilot holes must be drilled to a depth of 2 3/4 in (70mm). Be sure to drill into the center of the stud.

B-3

Adjustments

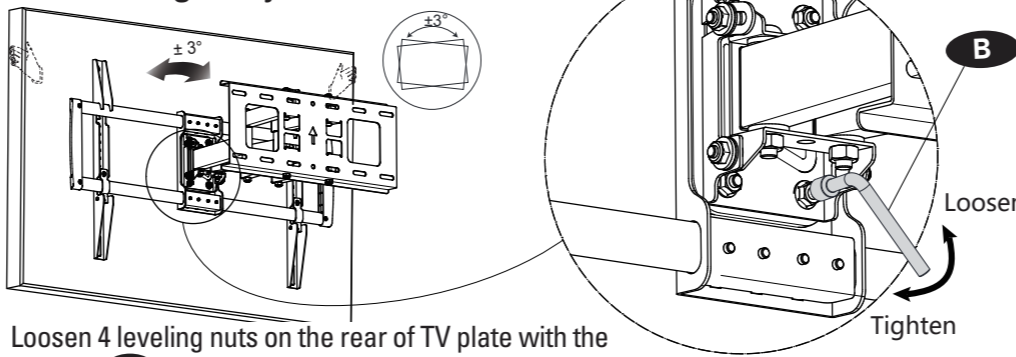
Tilting Adjustment



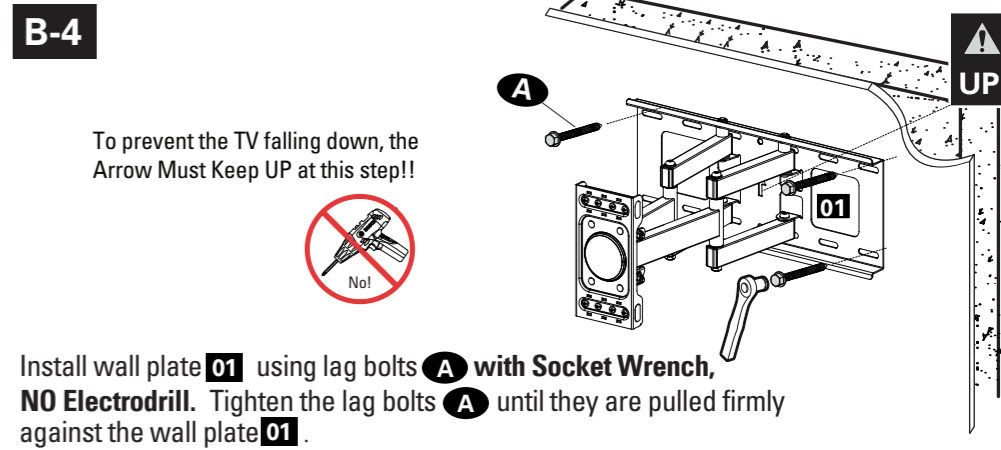
(Tilting)

Tilting Angle Adjustment (+5° / -13°)
Loosen 2 tilting nuts, pull TV to your desired angle, then fasten tilting nuts with wrench **B**.

TV leveling adjustment (-3°/+3°)



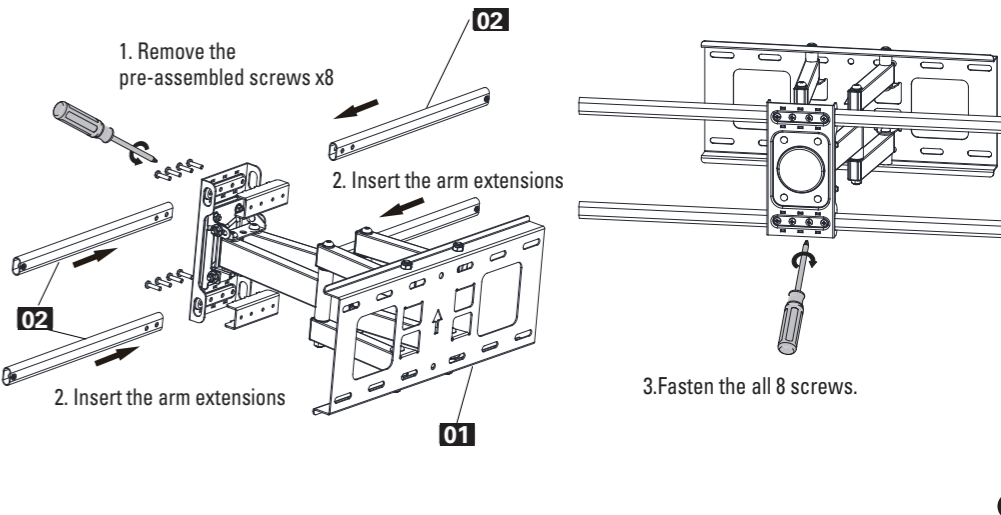
Loosen 4 leveling nuts on the rear of TV plate with the wrench **B**, adjust to level, and retighten to secure.

B-4

To prevent the TV falling down, the Arrow Must Keep UP at this step!!

Install wall plate **01** using lag bolts **A** with **Socket Wrench**, **NO Electrodrill**. Tighten the lag bolts **A** until they are pulled firmly against the wall plate **01**.

Step 3 Install Arm extensions and wall plate



Product dimensions

