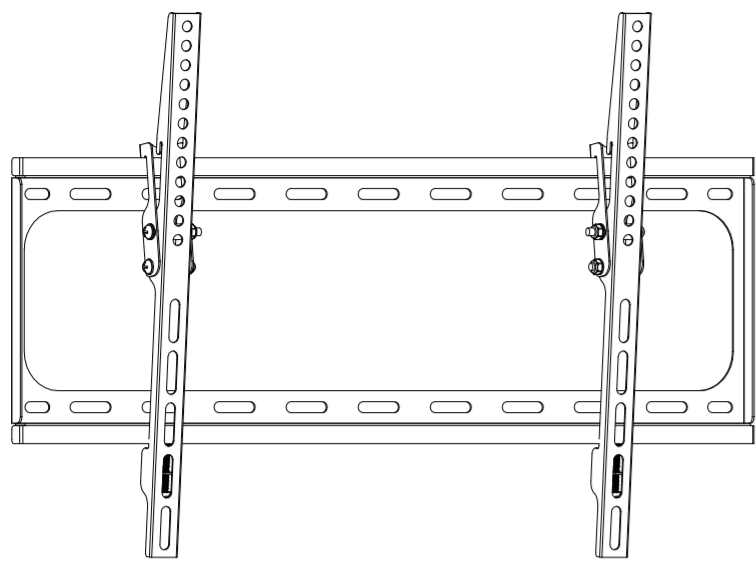


INSTALLATION INSTRUCTION

DWD988T_USB1.0



If you have any questions, please feel free to contact our customer support before returning.

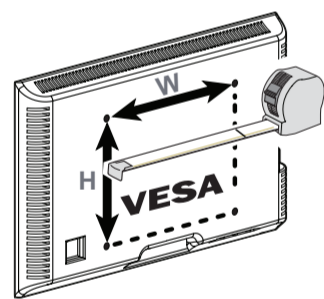
Safety Caution

Please read this instruction carefully before installation. If you do not understand these instructions or have doubts about the safety of the installation, assembly or use of this product, please contact us.

- This product is designed for use in wood stud or solid concrete wall.
 - DO NOT install into drywall alone.**
 - The wall must be capable of supporting five times the weight of the TV and mount combined.
 - Incorrect installation may result in product damage / property damage or body injury.
- We shall bear no responsibility for any damage or injury resulted from incorrect installation, incorrect assembly or misuse.

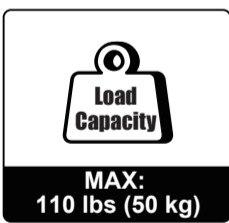
WARNING: This product contains small items that could be a choking hazard if swallowed. Before starting assembly, verify all parts are included and undamaged. If any parts are missing or damaged, do not return the damaged item to your dealer; please contact our customer service team. Never use damaged parts!

Must Check Before Getting Started



Minimum VESA Pattern (W × H):
75mm × 75mm (3 in × 3 in)

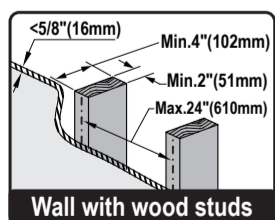
Maximum VESA Pattern (W × H):
600mm × 400mm (24 in × 16 in)



WARNING

DO NOT exceed the maximum weight indicated. This mounting system is intended for use only within the maximum weights indicated. Use with products heavier than the maximum weights indicated may result in failure of the mount and its accessories, causing possible damage or injury.

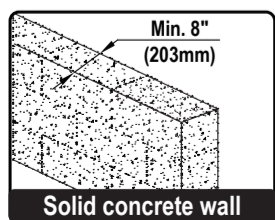
Verify Your Wall Construction



Wall with wood studs



CAUTION: Avoid potential personal injuries and property damage! Drywall covering the wall must not exceed 5/8 in. (16 mm). Minimum wood stud size: nominal 2 x 4 in. (51 x 102 mm) actual 1 1/2 x 3 1/2 in. (38 x 89 mm).



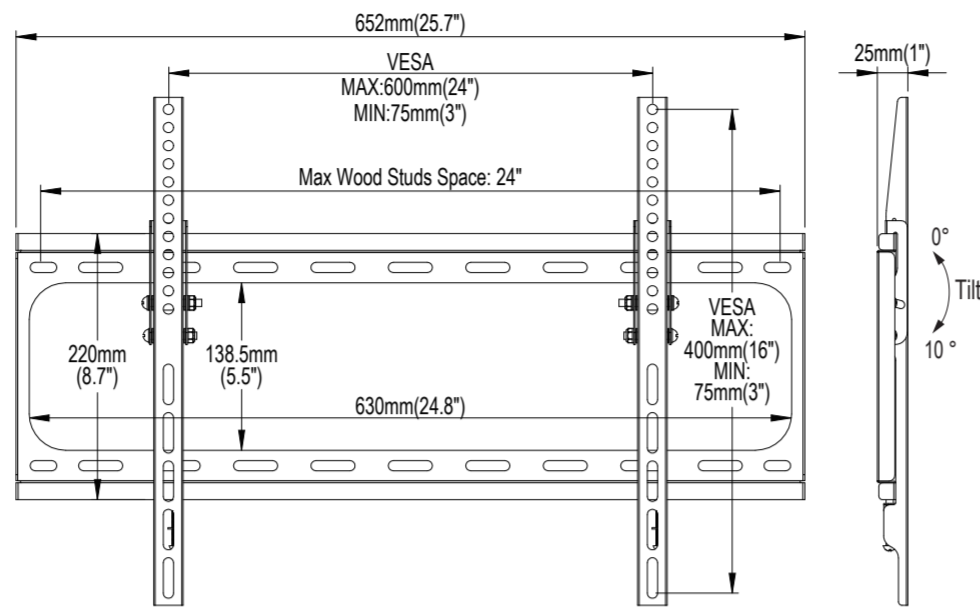
Solid concrete wall



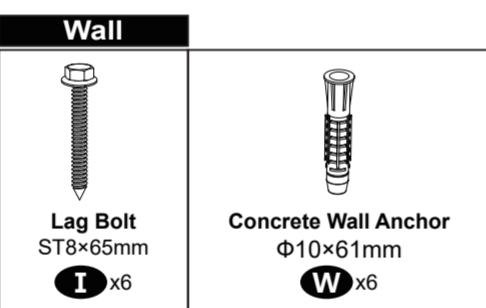
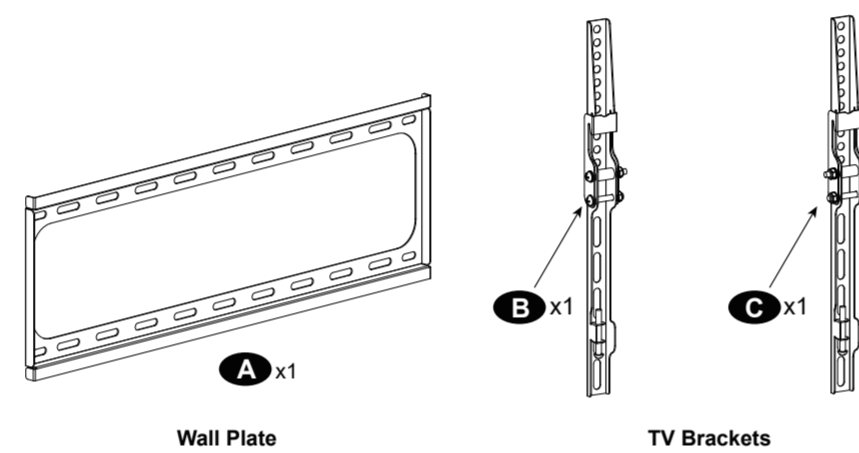
CAUTION: Avoid potential personal injuries and property damage! Mount the wall plate assembly directly onto the concrete surface (no surface covering).

CAUTION: DO NOT install into drywall alone.

Product Dimensions



Supplied Parts and Hardware

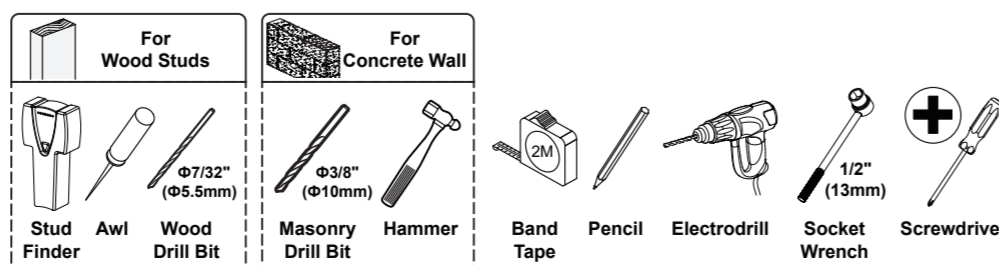


TV					
Philips Screws M4 x 12mm M4 x 30mm	Philips Screws M6 x 15mm M6 x 30mm	Philips Screws M8 x 25mm M8 x 45mm	Spacers H10mm	Washers Φ6mm M4-5-6	Spacers H5mm
x4 x4	x4 x4	x4 x4	x8	x4	x8
(MA)	(MB)	(MC)	(MD)	(ME)	(MF)



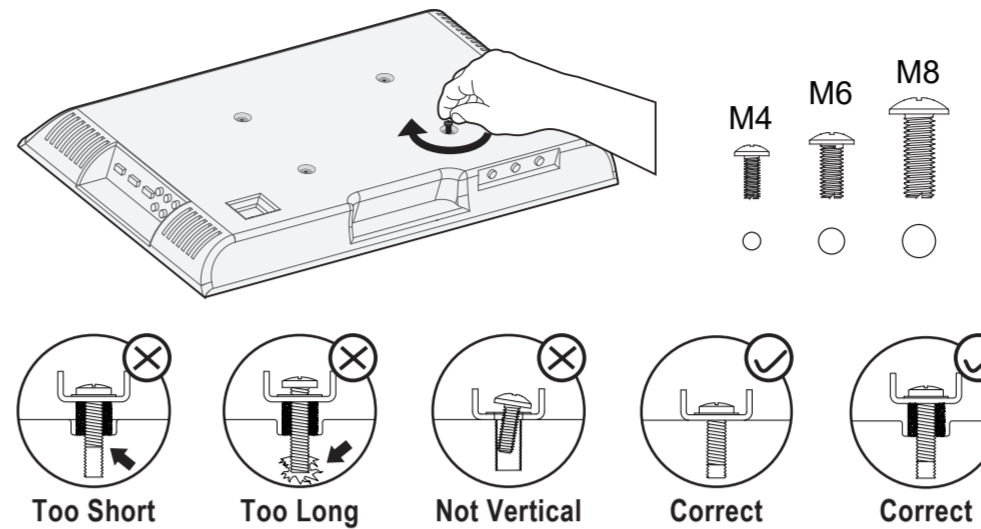
NOTE: Not all parts and hardware included will be used.

Extra Tools You Need (Not Supplied)



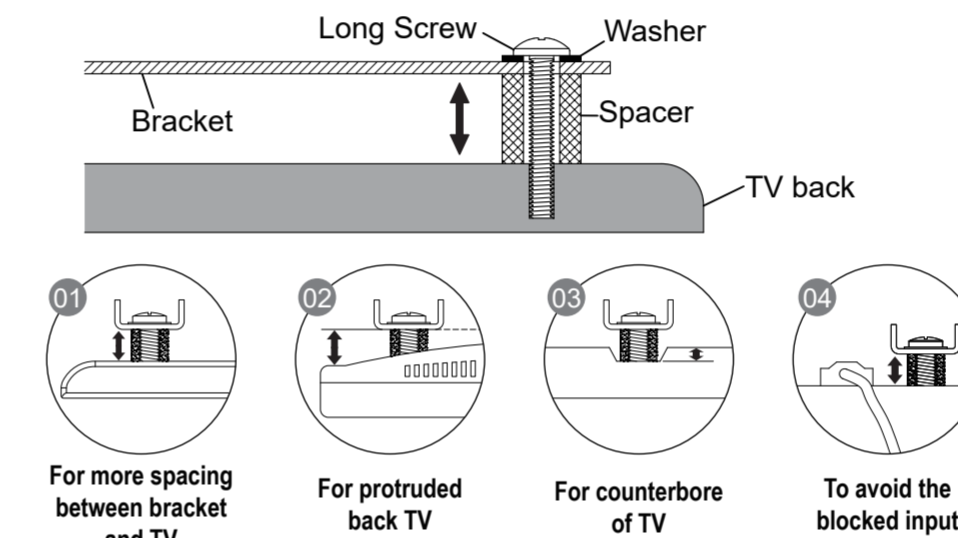
1 Attach Brackets to TV

1-1 Select TV Screws

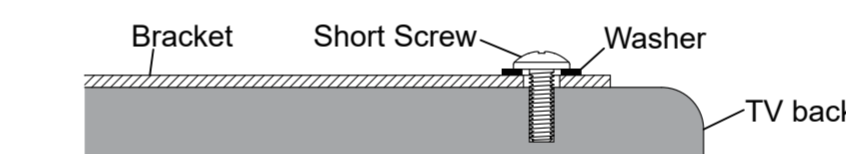


1-2 Need Spacer?

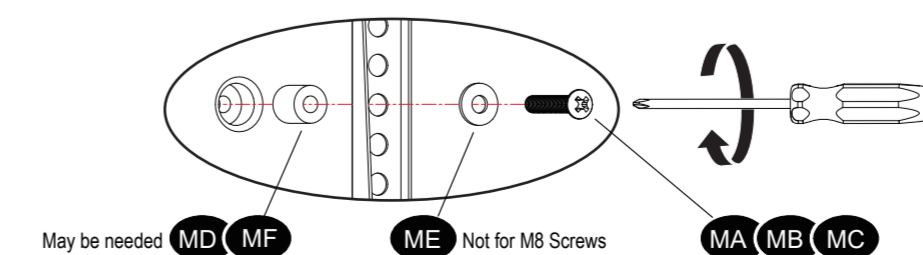
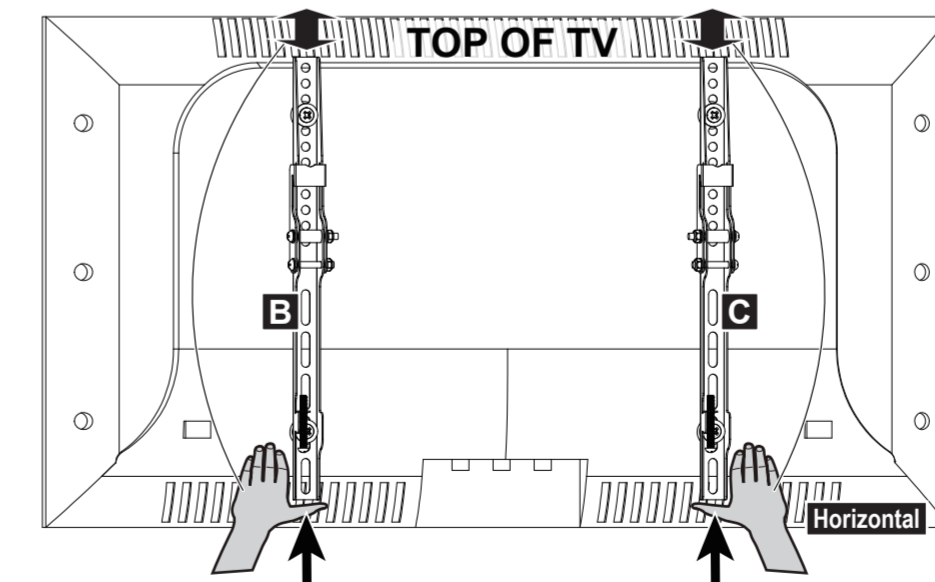
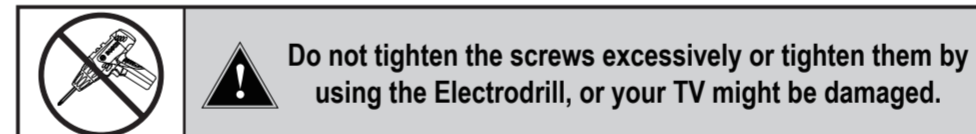
I Yes, choose the appropriate screws, washers, and spacers for your TV.



II No, just choose the screws, washers.

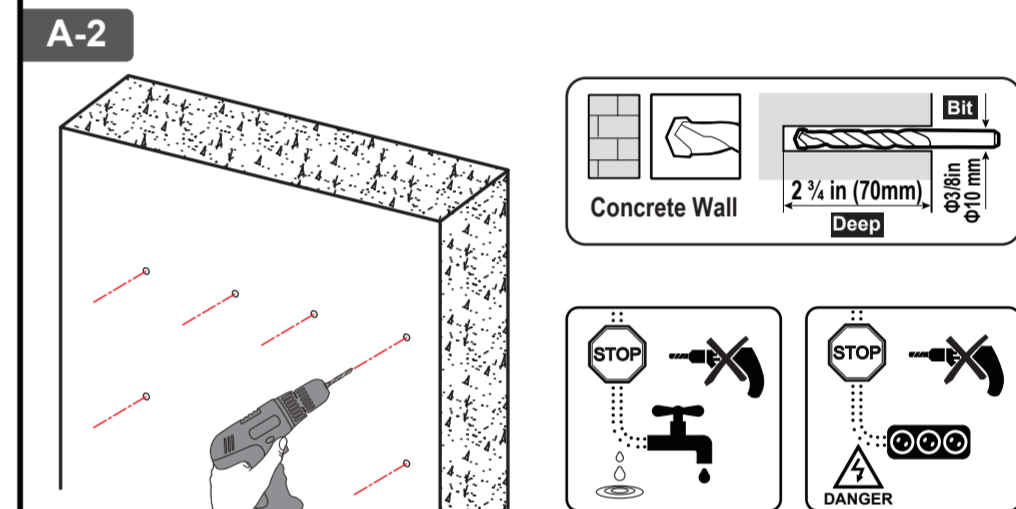
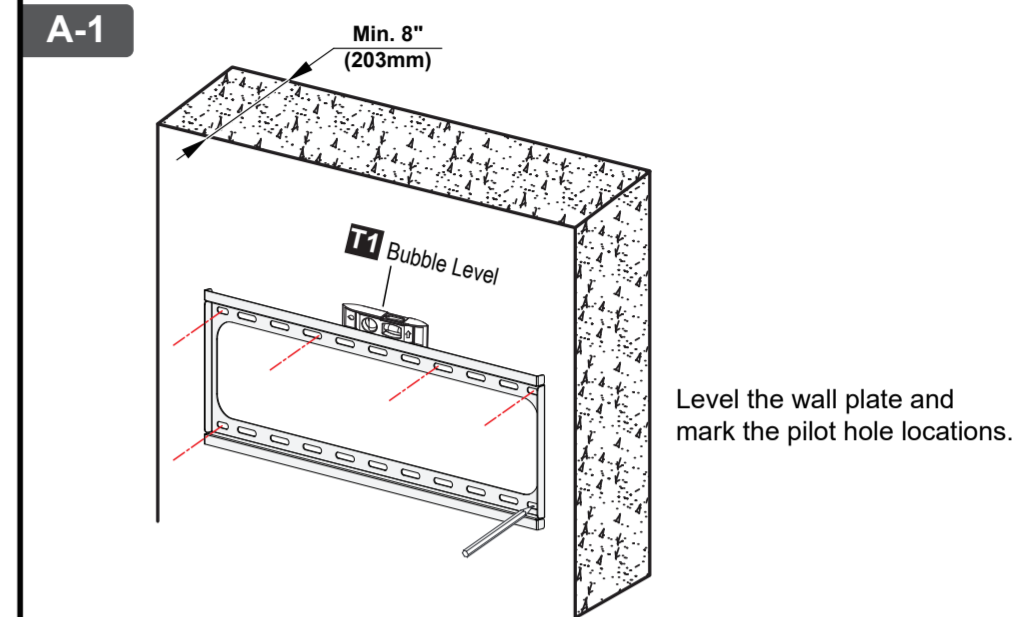


1-3 Attach Brackets to TV



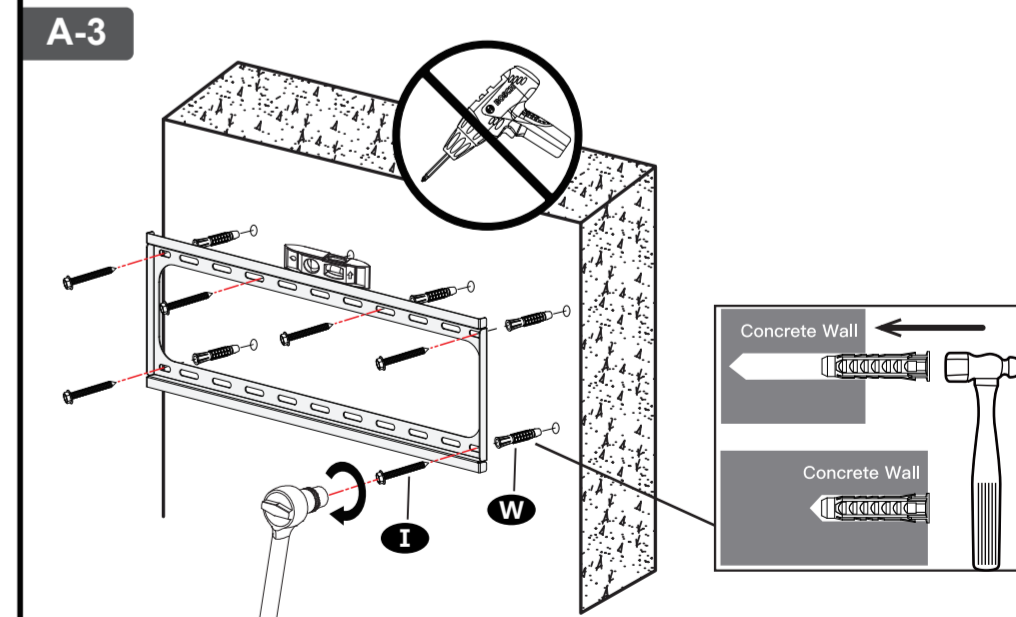
2-A Attach Wall Plate to Wall

OPTION A: Solid Concrete Wall Installation



Drill pilot holes using a Φ3/8 in (Φ10mm) diameter drill bit.

IMPORTANT: Do not drill holes into where water pipes or electrical wires are located, or mortar between blocks.

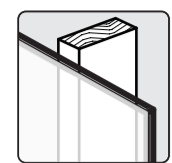


Use the hammer to knock anchors (not included) into the concrete wall. Be sure the anchors are seated flush with the concrete surface.

Install wall plate using lag bolts (I) and anchors (not included) with **Socket Wrench, NO Electrodrill.**

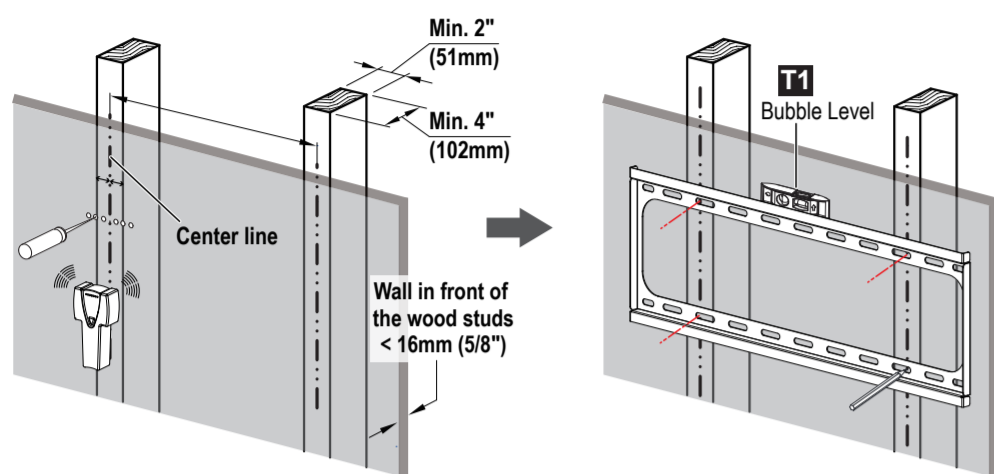
CAUTION: To avoid potential personal injury or property damage: All 6 lag bolts (I) **MUST BE** firmly tightened to prevent unwanted movement of the wall plate assembly. Ensure the wall plate assembly is securely fastened to the wall before continuing on to the next step.

2-B Attach Wall Plate to Wall



OPTION B: Wood Stud Installation

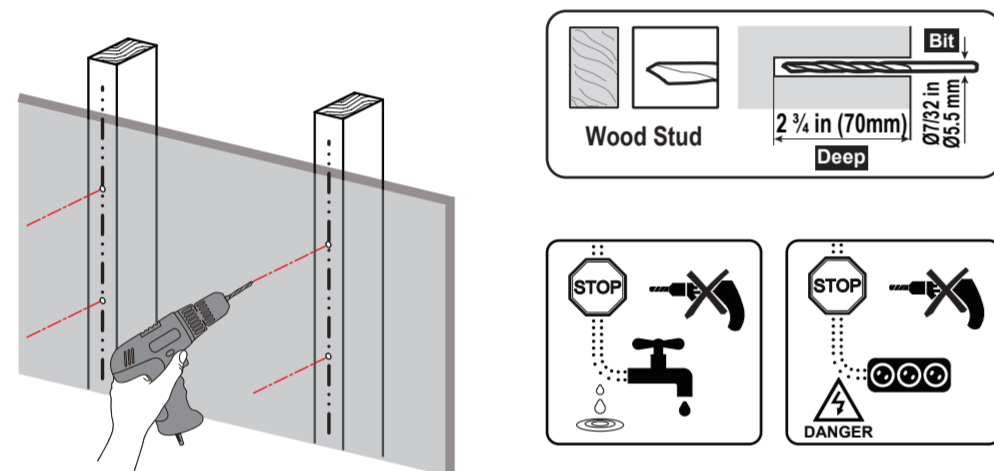
B-1



Locate your studs. Verify and mark the center of the stud by finding the stud edges using awl and stud finder.

Line up the holes with your stud center line. Level the wall plate and mark the pilot hole locations.

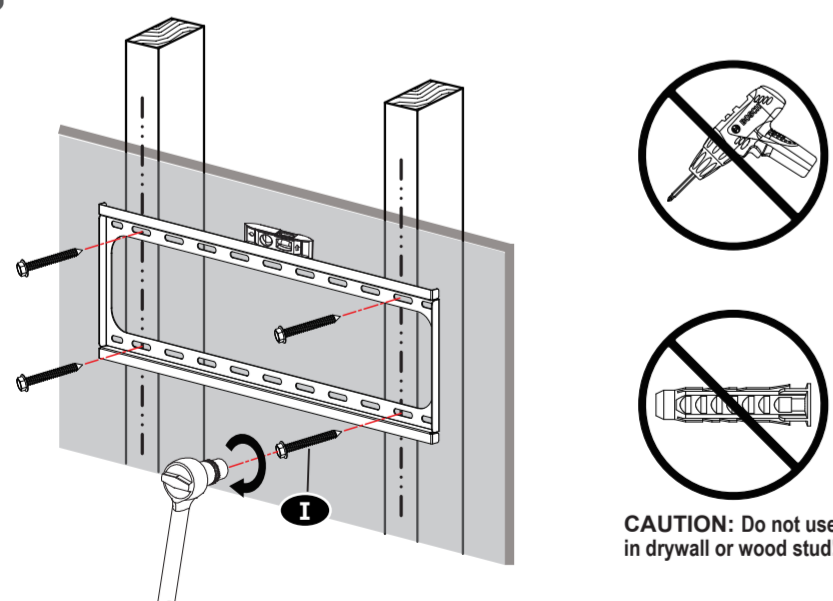
B-2



Drill pilot holes using a $\Phi 7/32$ in ($\Phi 5.5$ mm) diameter drill bit.

IMPORTANT:
Do not drill holes into where water pipes or electrical wires are located. Be sure to drill into the center of the stud.

B-3

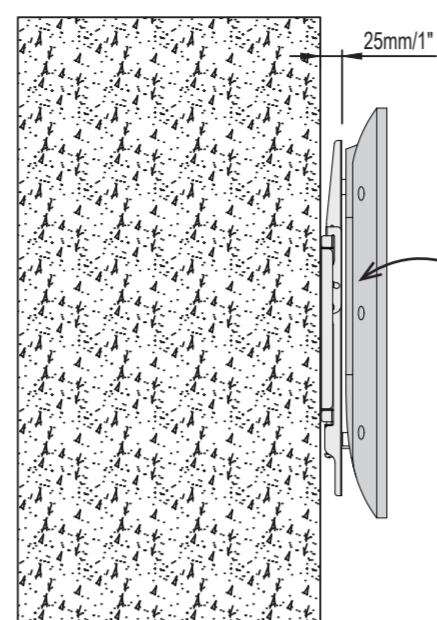


CAUTION: Do not use in drywall or wood stud!

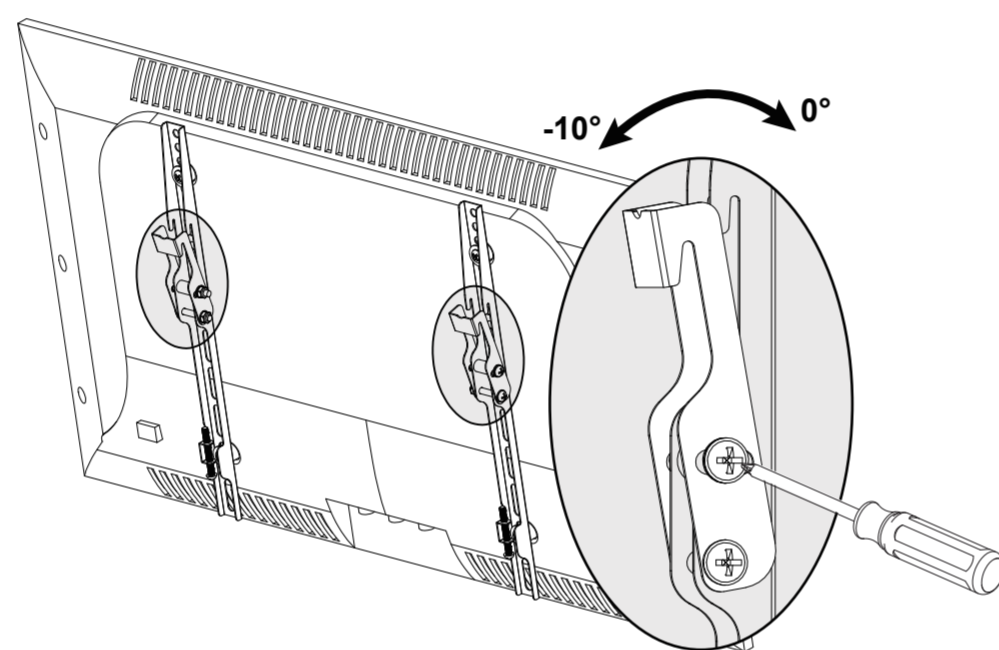
Install wall plate using lag bolts **I** with Socket Wrench, **NO** Electrodrill. **No anchors when installed onto the wood studs.**

CAUTION:
To avoid potential personal injury or property damage: All 4 lag bolts **I** **MUST BE** firmly tightened to prevent unwanted movement of the wall plate assembly. Ensure the wall plate assembly is securely fastened to the wall before continuing on to the next step.

3 Tilt Adjustment

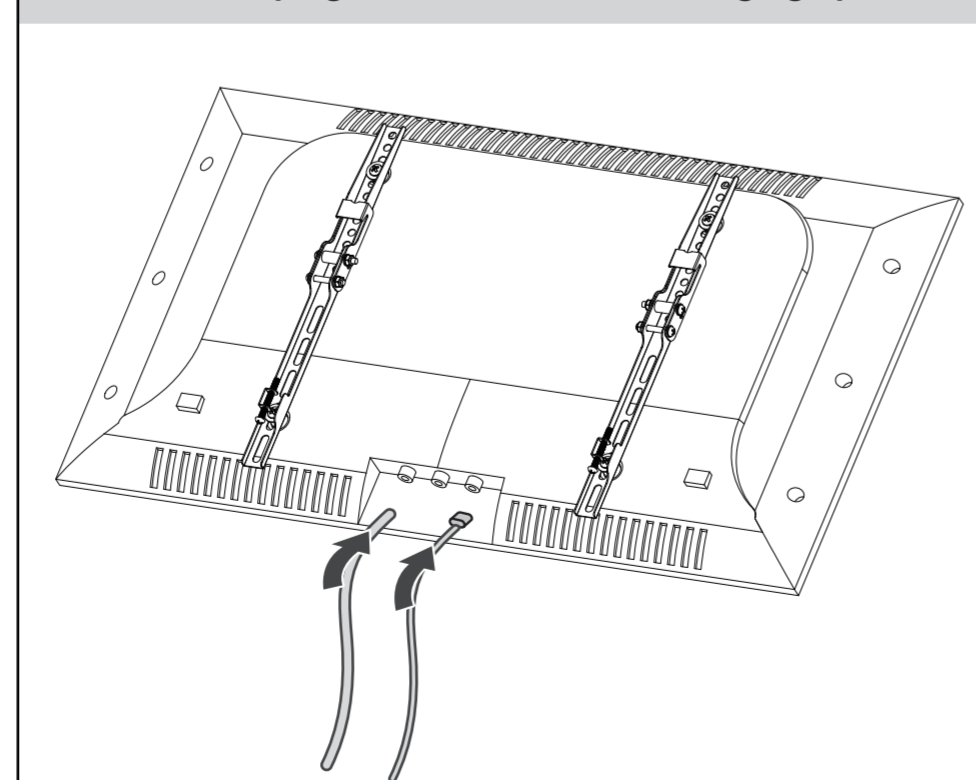


NOTE:
Adjust the wanted tilting angle before hanging the TV because of the low profile design.



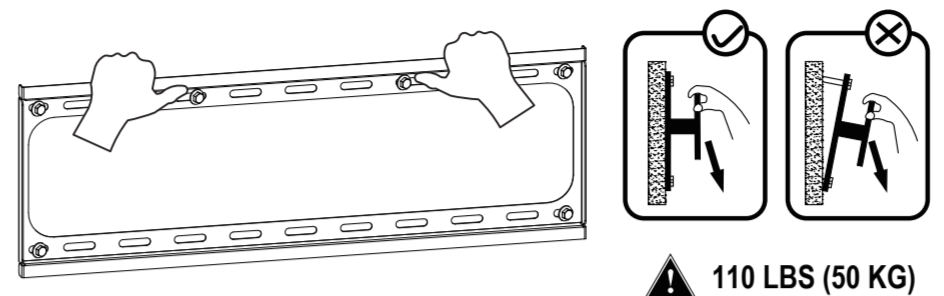
Pull brackets to your desired angle then fasten 2 tilting bolts with hand.

NOTE: Please plug in the cables before hanging up the TV.

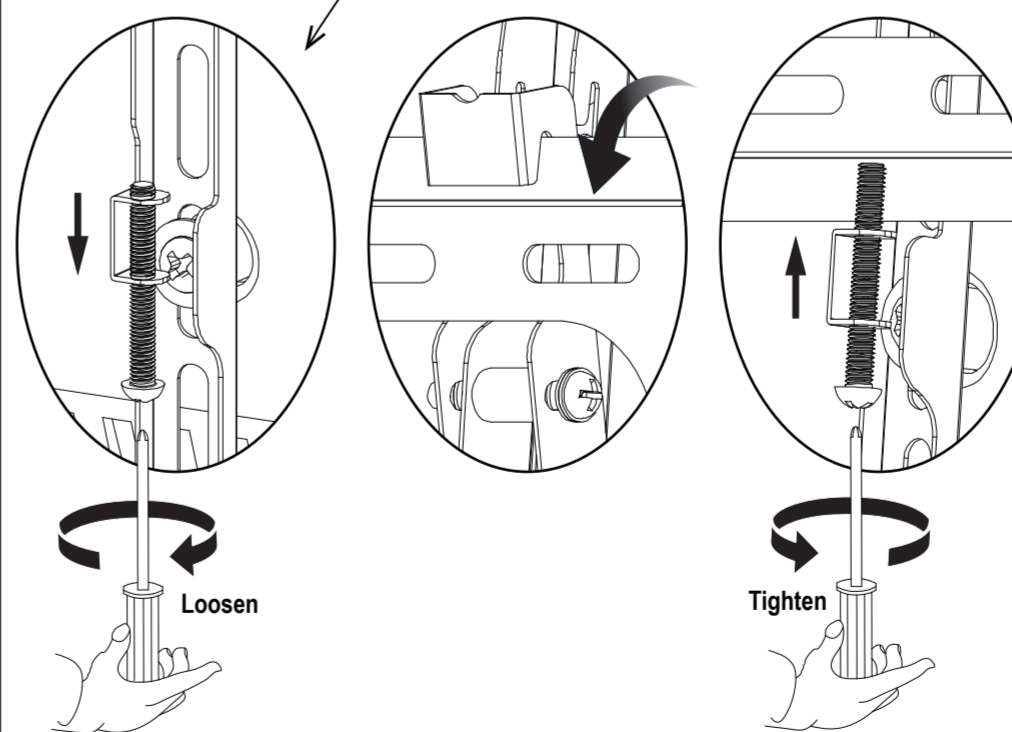
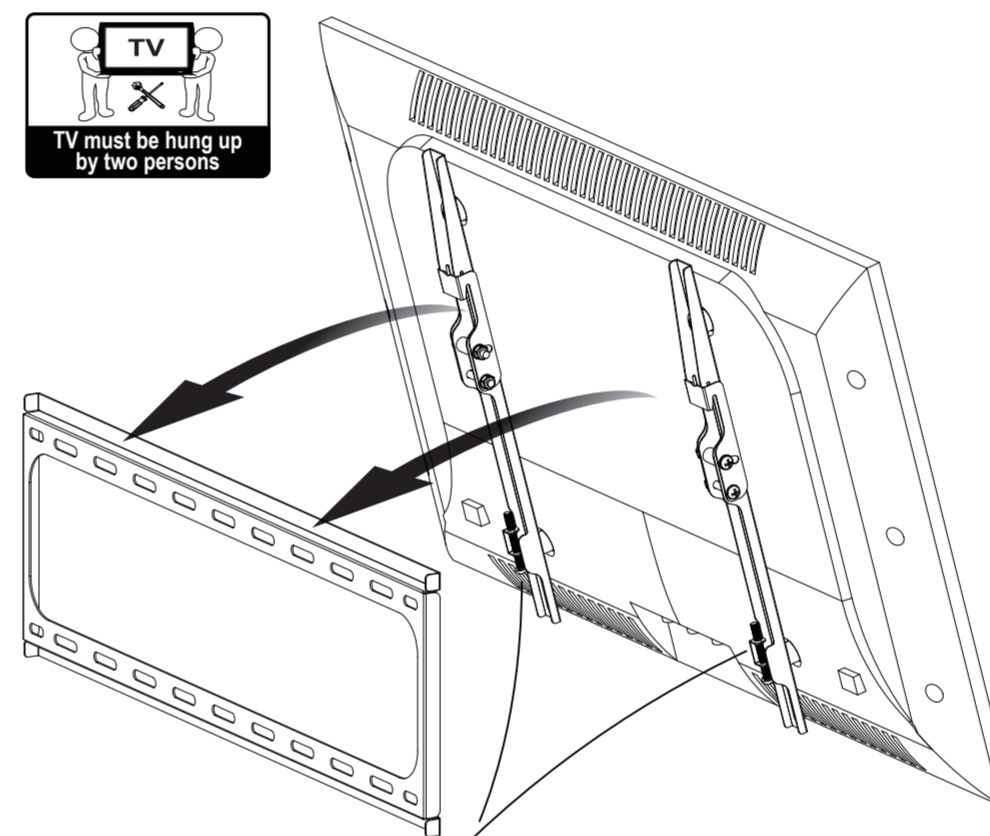


4 Hang and Secure TV to Wall Plate

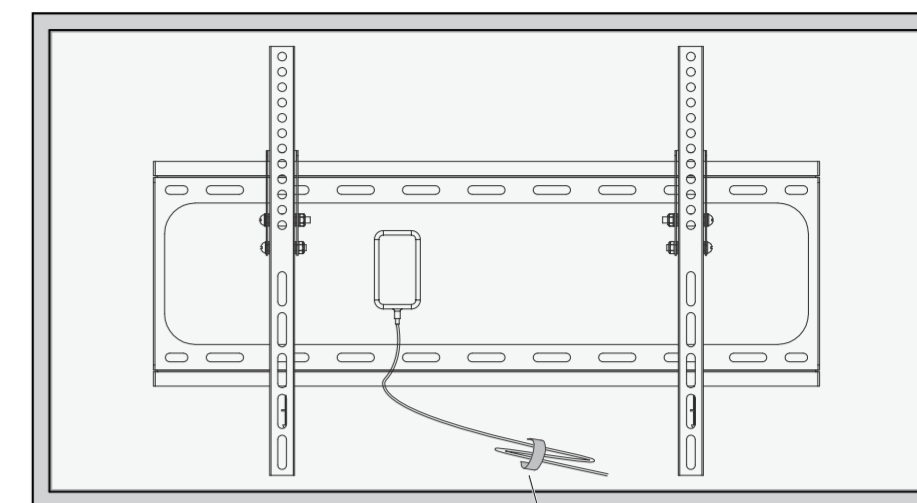
Before hanging TV, please conduct "wall plate installation integrity test" first.



Hang and secure TV assembly onto the wall plate.



5 Cable Management (If necessary)



T2
Velcro Cable Ties