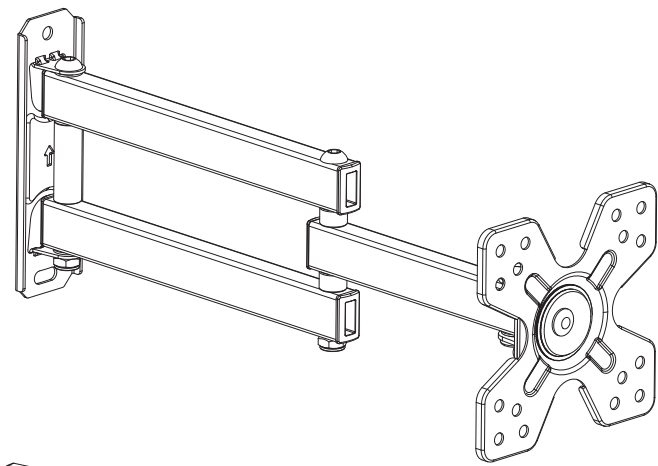


INSTALLATION INSTRUCTION



Bubble Level x1 Velcro Cable Ties x2



100x100mm / 4x4"
75x75mm / 3x3"

LPA01-113-US1

If you have any questions, please feel free to contact us via Amazon.

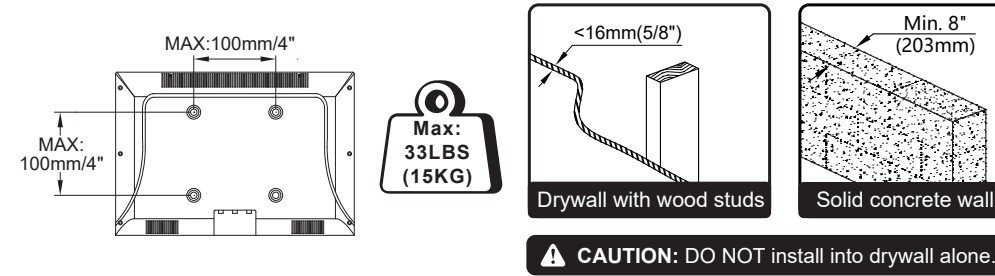
Safety Caution

Please read this instruction carefully before installation.
If you do not understand these instructions or have doubts about the safety of the installation, assembly or use of this product, please contact us .

- This product is designed for use in wood stud or solid concrete wall.
- **DO NOT install into drywall alone.**
- The wall must be capable of supporting five times the weight of the TV and mount combined.
- Incorrect installation may result in product damage or body injury.

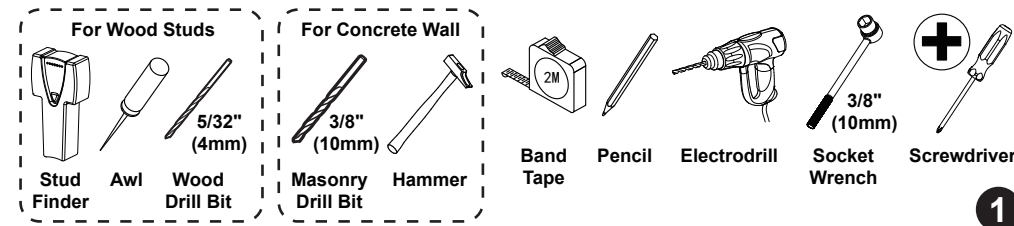
⚠ WARNING: This product contains small items that could be a choking hazard if swallowed.
Before starting assembly, verify all parts are included and undamaged. If any parts are missing or damaged, do not return the damaged item to your dealer; please contact our customer service team. Never use damaged parts!

Must Check Before Getting Started

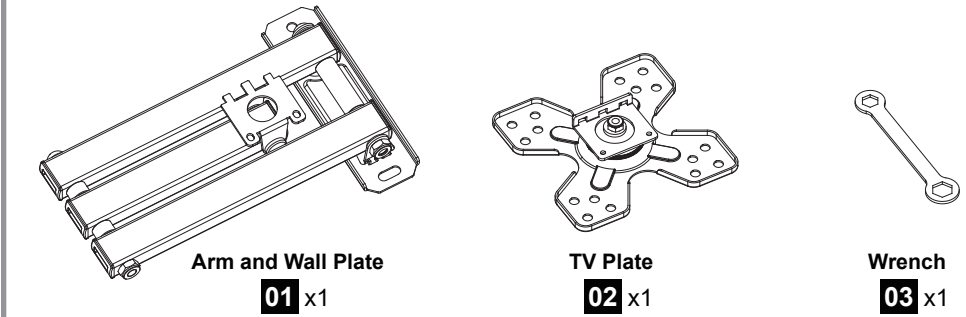


⚠ CAUTION: DO NOT install into drywall alone.

Extra Tools You Need (Not Supplied)



Supplied Parts and Hardware



Hardware				
Lag Bolt ST6.3 x 60mm	Bolt M4 x 6mm	Philips Screws M4 x 12mm	Philips Screws M4 x 30mm	Spacers L13mm
MA x2	MB x2	MC x4	MD x4	ME x4

NOTE: Not all parts and hardware included will be used.

STEP 1 Attach the TV Plate

1-1 Select TV Screw Length

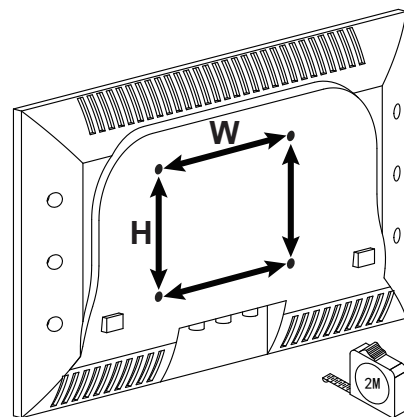
⚠ When attaching brackets to the flat screen, be careful not to over tighten screws and be sure that screws do not bottom out in the mounting holes.



1-2 Select TV plate configuration

Measure and note the width and the height of the square or rectangle formed from the VESA holes pattern.

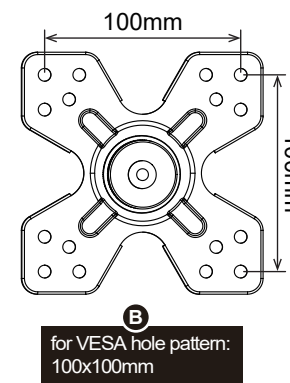
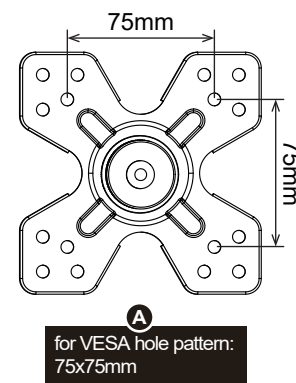
75mm ≈ 3in.
100mm ≈ 4in.



STEP 1 (Continued)

Select the configuration to use based on the measurement from TV.

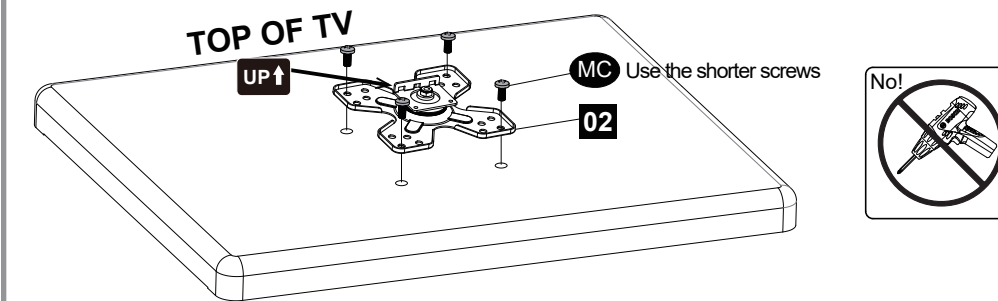
VESA Pattern (WxH)	Configuration
75mm x 75mm	A
100mm x 100mm	B



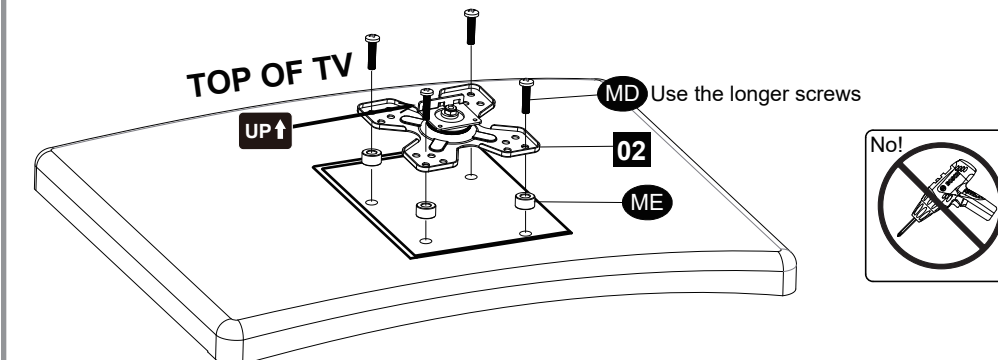
STEP 1 (Continued)

1-3 Attach the TV Plate

(a) For Flat Back



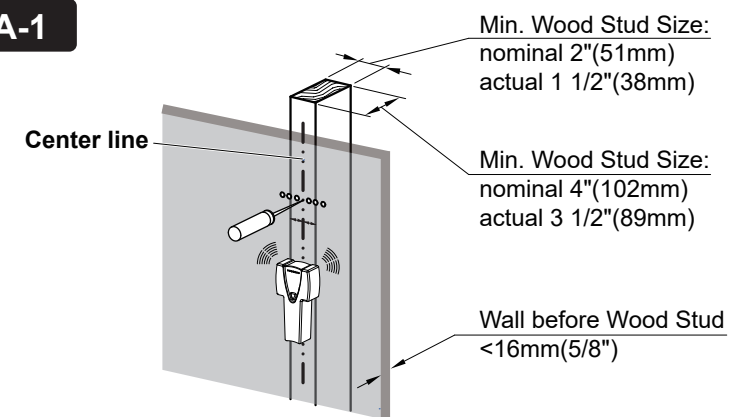
(b) For Round Back / Extra Space



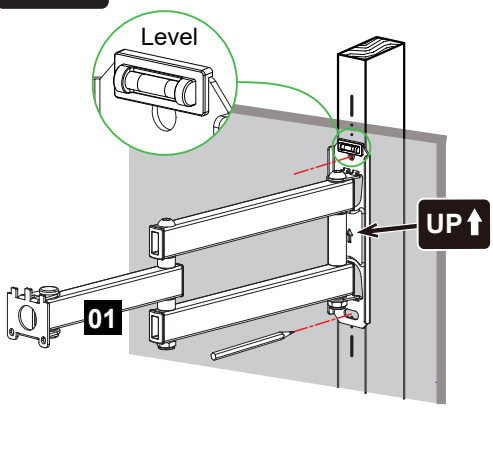
STEP 2 Attach Wall Plate to Wall

OPTION A: Wood Stud Installation

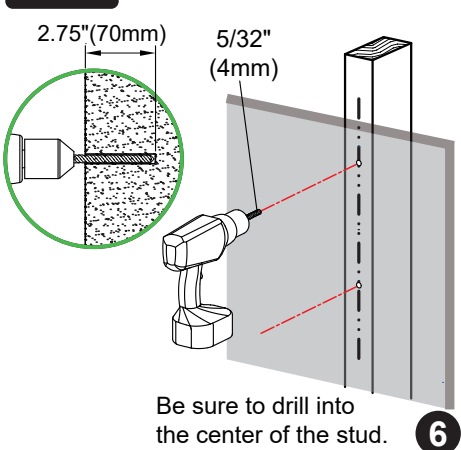
A-1



A-2

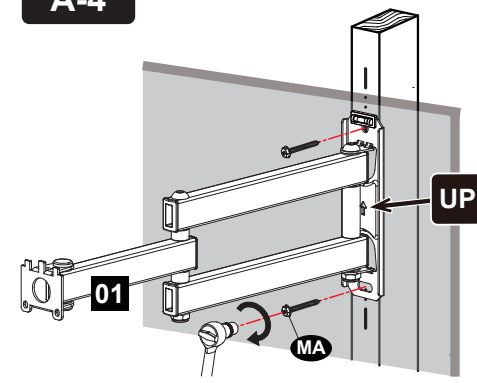


A-3



STEP 2 (Continued)

A-4



CAUTION: To avoid potential personal injury or property damage: All 2 lag bolts **MA** **MUST BE** firmly tightened to prevent unwanted movement of the wall plate assembly. Ensure the wall plate assembly is securely fastened to the wall before continuing on to the next step.

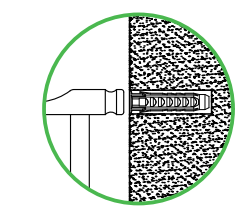
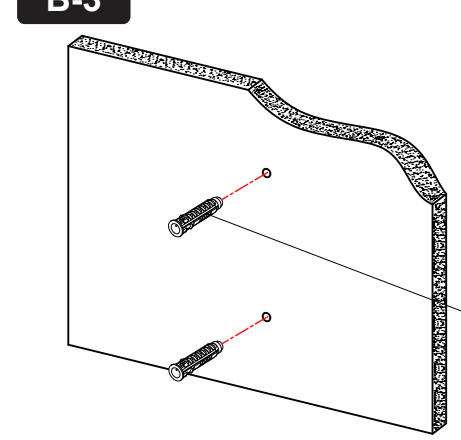
To prevent the TV falling down, the **Arrow Must Keep UP** at this step!!

No! Install wall plate using lag bolts and washer with Socket Wrench, **NO** Electrodrill.

CAUTION: Do not use in drywall or wood.

STEP 2 (Continued)

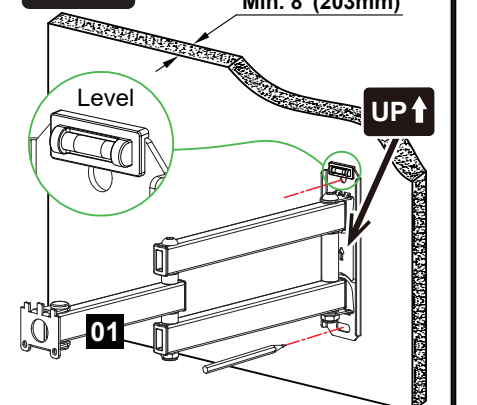
B-3



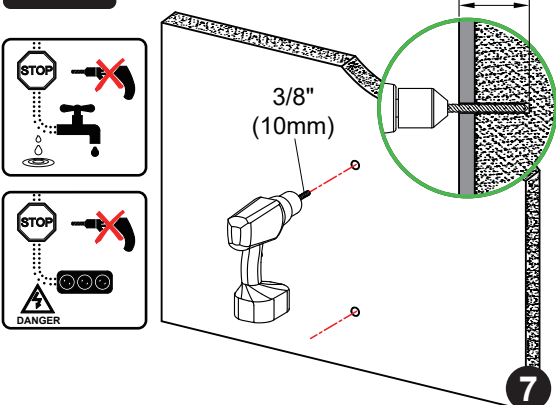
Concrete wall anchor (NOT INCLUDED)
Φ10×61mm
Contact us to have these additional pieces shipped directly to you.

OPTION B: Solid Concrete Wall Installation

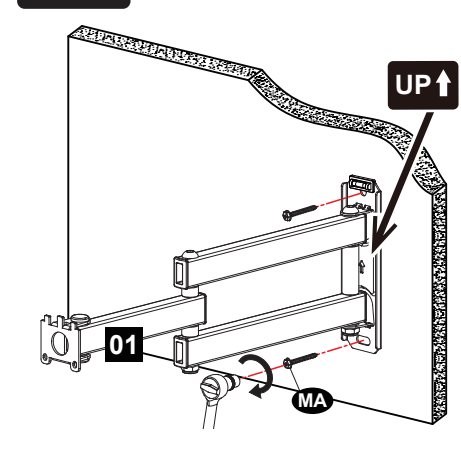
B-1



B-2



B-4



CAUTION: To avoid potential personal injury or property damage: All 2 lag bolts **MA** **MUST BE** firmly tightened to prevent unwanted movement of the wall plate assembly. Ensure the wall plate assembly is securely fastened to the wall before continuing on to the next step.

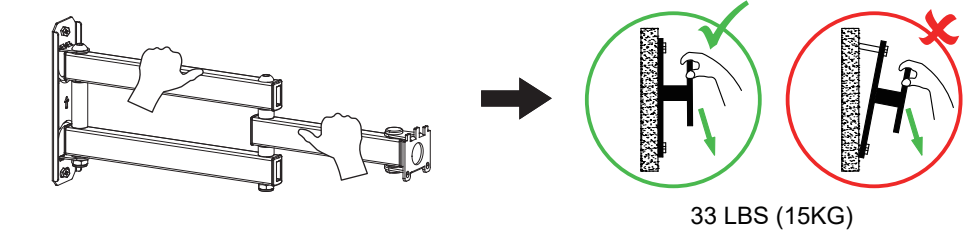
To prevent the TV falling down, the **Arrow Must Keep UP** at this step!!

No! Install wall plate using lag bolts, washer and anchor with Socket Wrench, **NO** Electrodrill.

STEP 3 Hang and Secure TV to Wall Plate

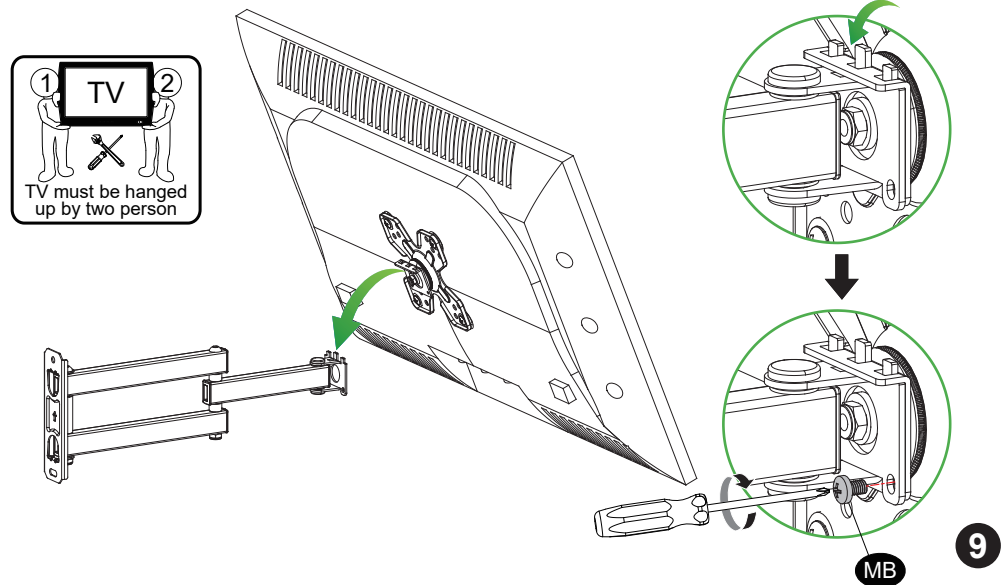
3-1 Wall Plate Installation Integrity Test

Before hanging TV, please conduct "wall plate installation integrity test" first.



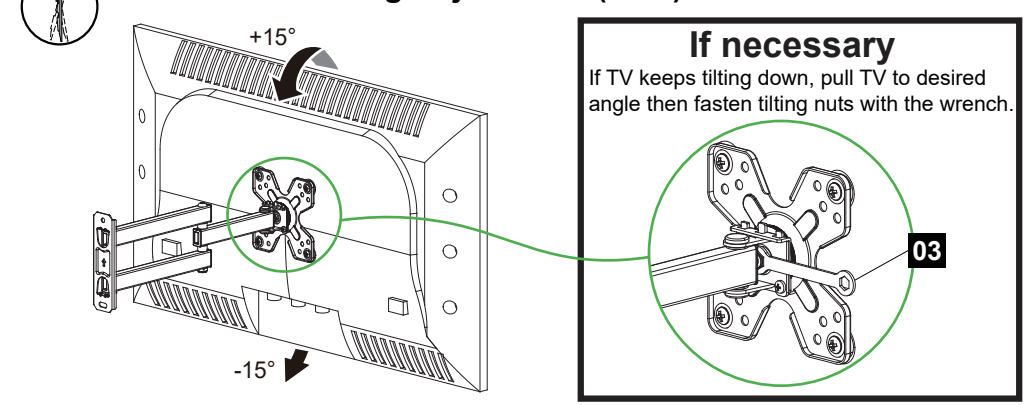
3-2 Hang and Secure TV to Wall Plate

Lift and hang TV assembly onto arm and wall plate. Secure the TV plate to the arm and wall plate with 2 Bolts **MB**.

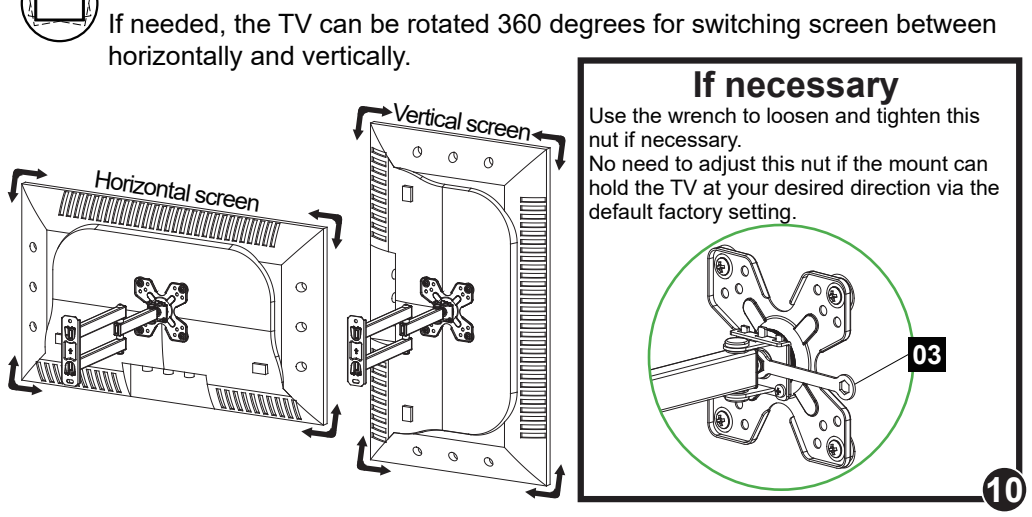


STEP 4 Adjustments

4-1 Tool-free Tilting Adjustment ($\pm 15^\circ$)



4-2 Rotation (360°)



Product Dimensions

