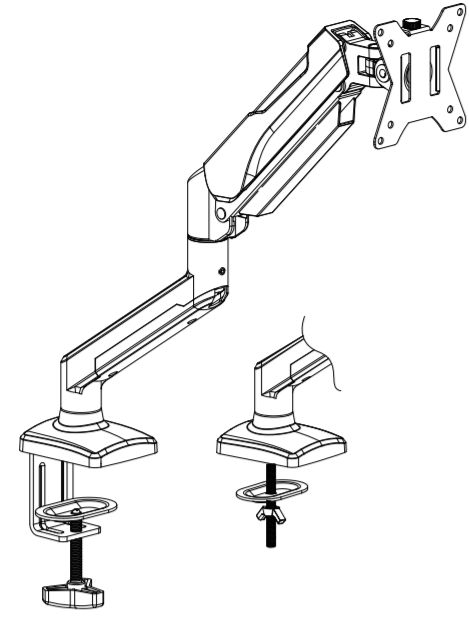


INSTALLATION INSTRUCTION

CX01-01-B_US1.0



If you have any questions, please feel free to contact our customer support before returning.

Safety Caution

BEFORE ASSEMBLY

- Please check and make sure all necessary accessories are included and undamaged.
- Please read and understand this manual carefully before installation.

WARNING

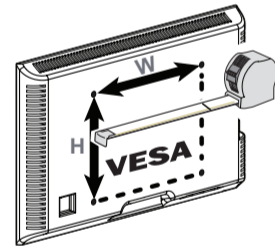
- This product contains small items that could be a choking hazard if swallowed. KEEP AWAY FROM CHILDREN UNDER 3 YEARS OLD. ADULT SUPERVISION IS REQUIRED.
- Improper installation, such as using the product for monitor over its load capacity or for any purpose not explicitly specified, may cause damage or serious injury. We would not be liable for any damage or injury caused by improper mounting or inappropriate use.

CAUTION AND MAINTENANCE

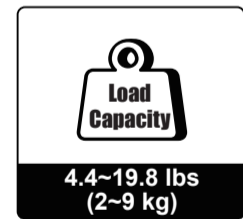
- Never allow children to climb, stand, hang, or play on any part of monitor or stand.
- This product is intended for indoor use only. Using this product outdoors could lead to product failure and personal injury.
- Check that the bracket is secure and safe to use at regular intervals (at least every three months).

Must Check Before Getting Started

Verify Your Monitor Specifications:



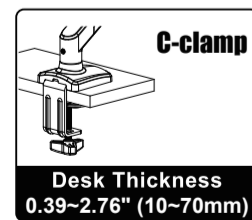
VESA Pattern (W × H):
75mm × 75mm (3" × 3")
100mm × 100mm (4" × 4")



WARNING

DO NOT exceed the maximum weight indicated. This mounting system is intended for use only within the maximum weights indicated. Use with products heavier than the maximum weights indicated may result in failure of the mount and its accessories, causing possible damage or injury.

Verify Your Desk Specifications:



Perfect!



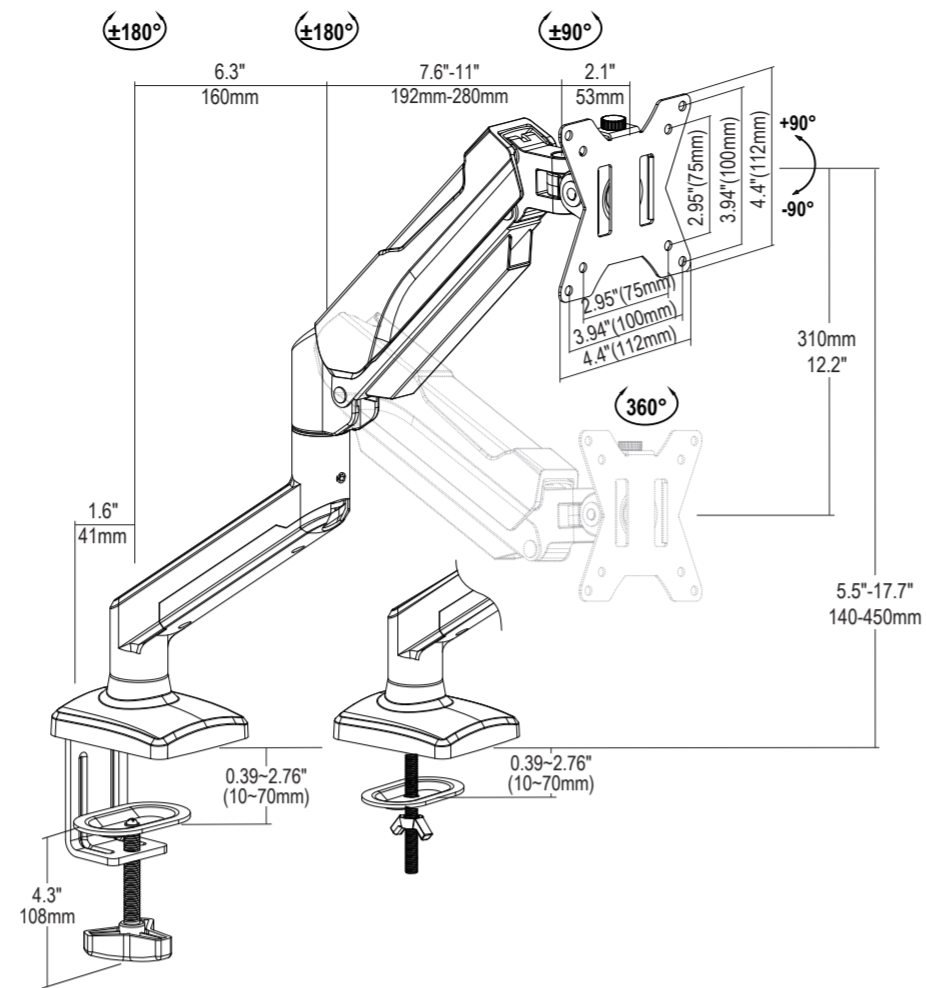
Perfect!



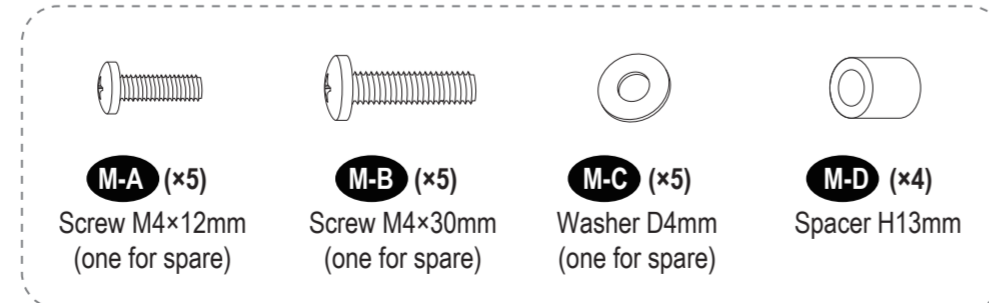
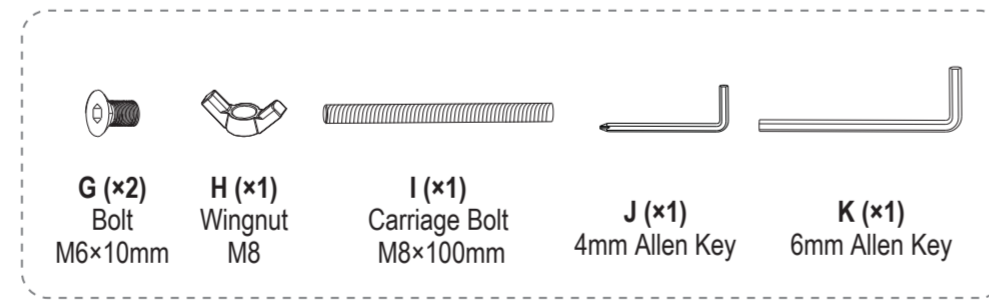
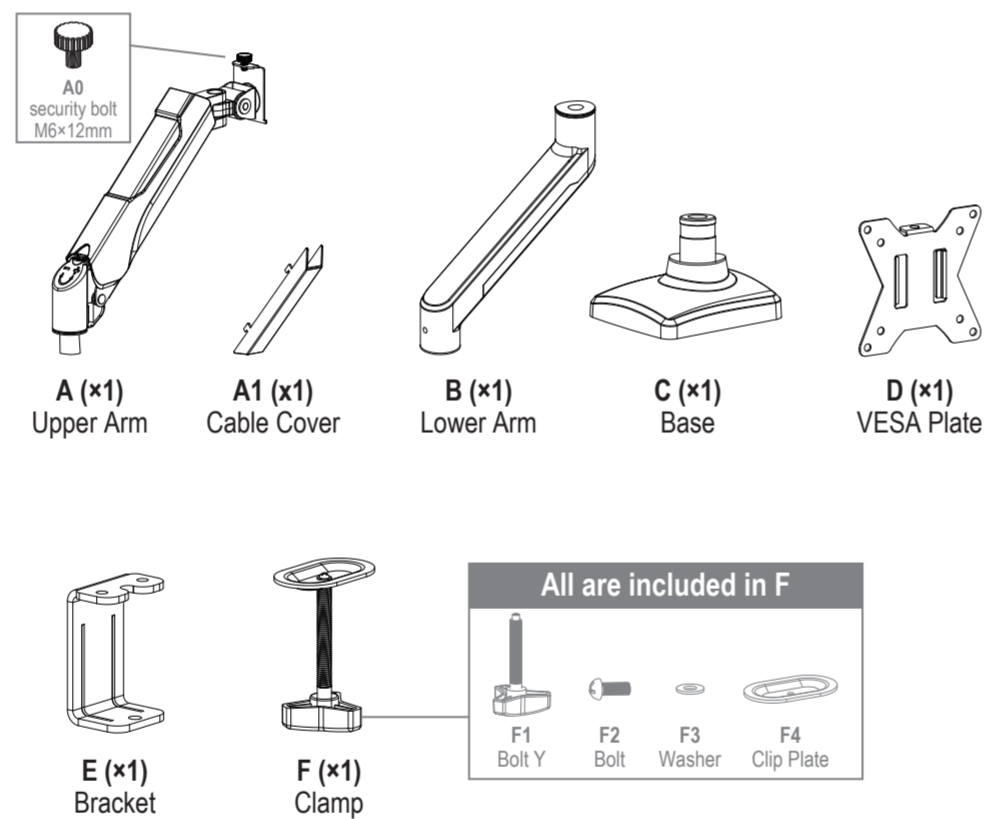
Attention Tension adjustment should be done only after monitor installation

WARNING: Gas Spring Arm is under pressure and should be handled with care. Failure to follow the instructions may result in damage to the mount and/or personal injury.

Product Dimensions



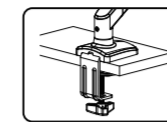
Supplied Parts and Hardware



NOTE: Not all parts and hardware included will be used.

1-A Base Installation

OPTION A: Clamp Installation

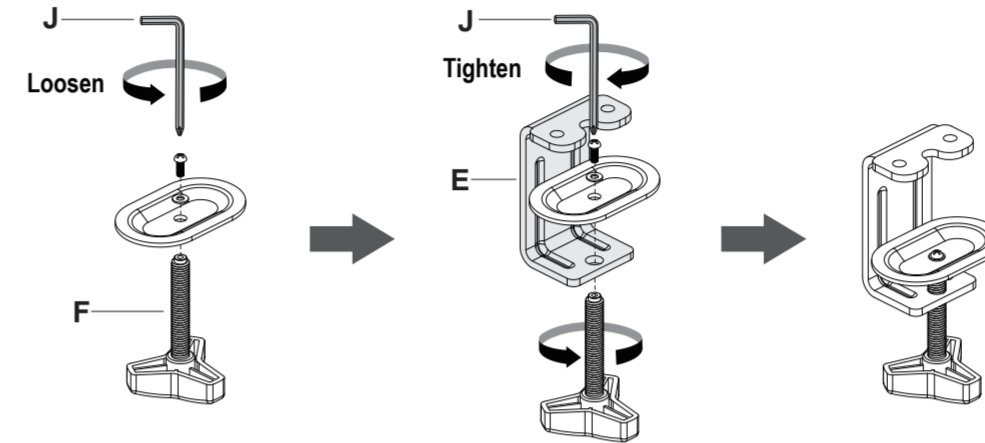


C-clamp

Desk Thickness
0.39-2.76" (10-70mm)

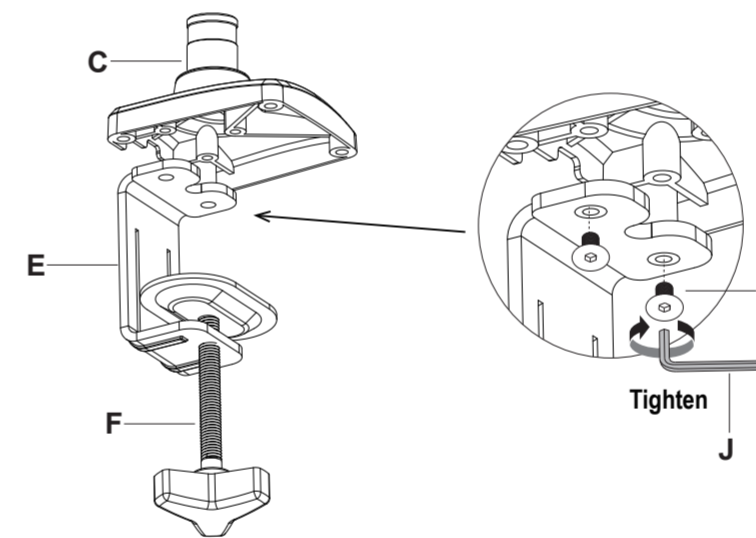
A-1

Detach the clamp (F) with 4mm Allen key (J).
Install the clamp (F) to the bracket (E) with 4mm Allen key (J).



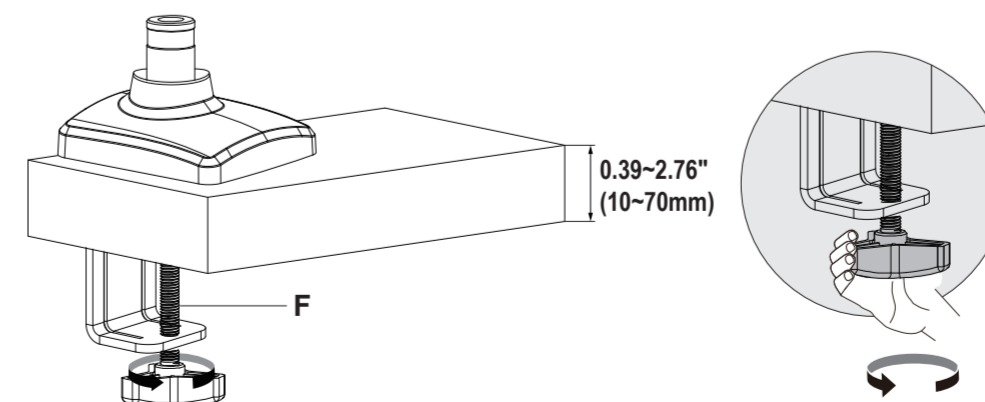
A-2

Mount clamp (E) to the bottom of base (C) by tightening bolts (G) with 4mm Allen key (J).



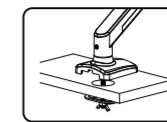
A-3

Secure stand to the desktop by tightening clamp (F).



1-B Base Installation

OPTION B: Grommet Base Installation

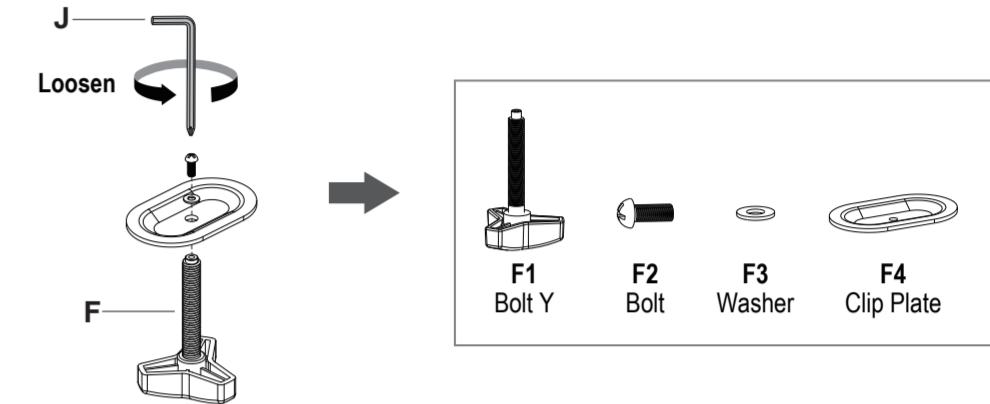


Grommet
Φ0.39-2.36"
(Φ10-60mm)

Desk Thickness
0.39-2.76" (10-70mm)

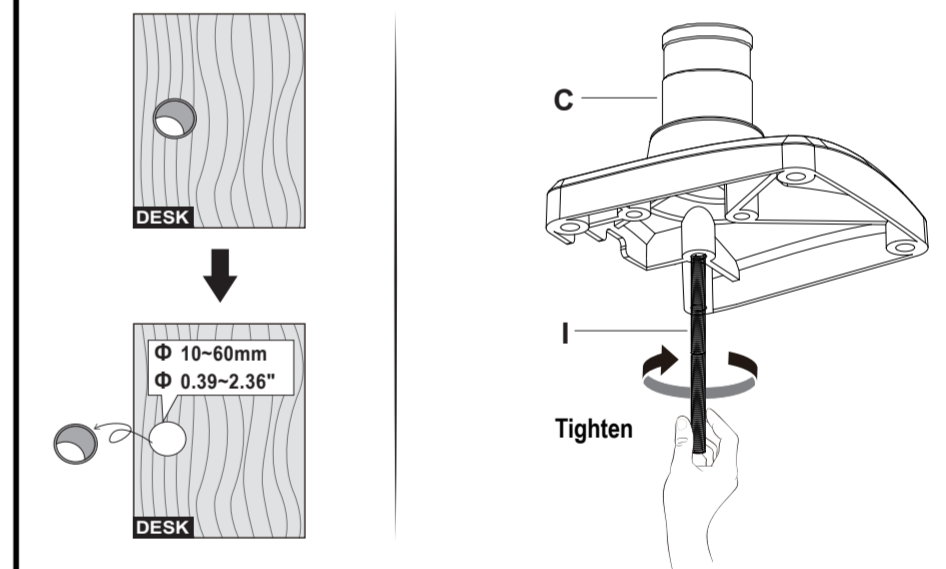
B-1

Detach the clamp (F) with 4mm Allen key (J).



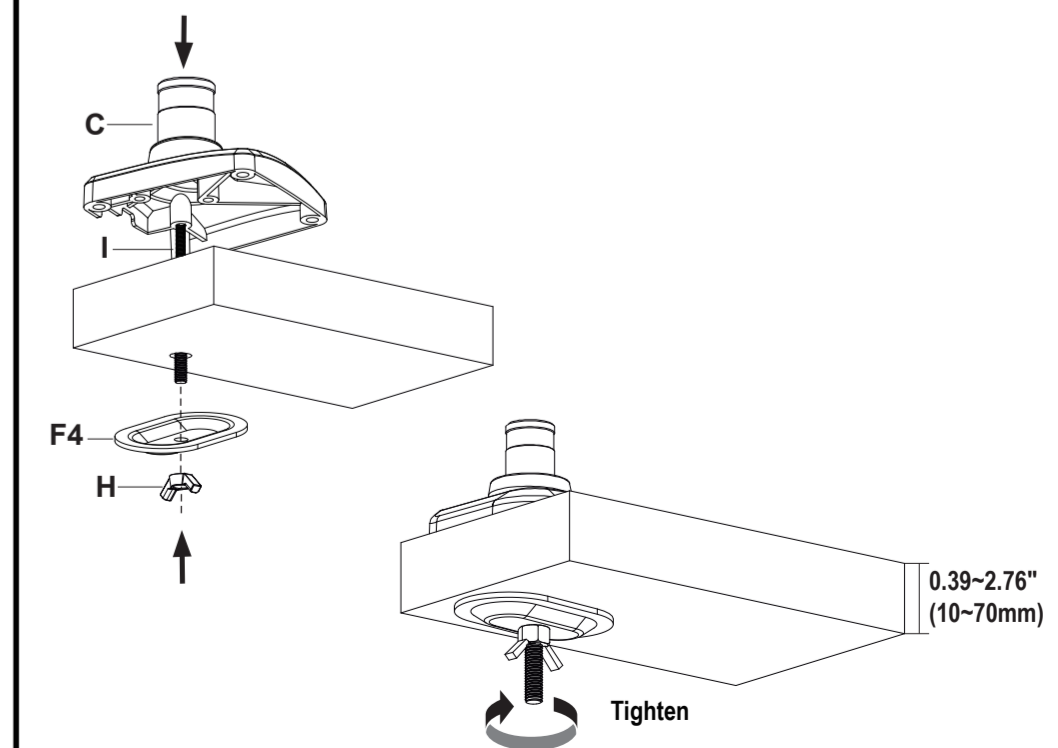
B-2

If existing grommet hole comes with a plastic protector, remove it to ensure a flat surface before installing the desk mount.
Mount carriage bolt (I) to base (C) by using hand.



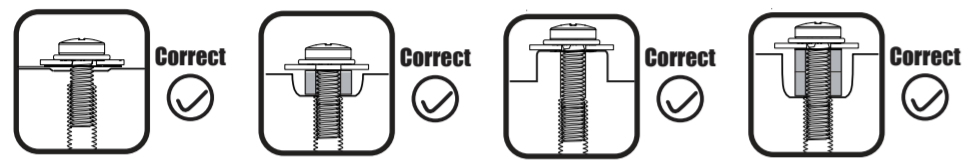
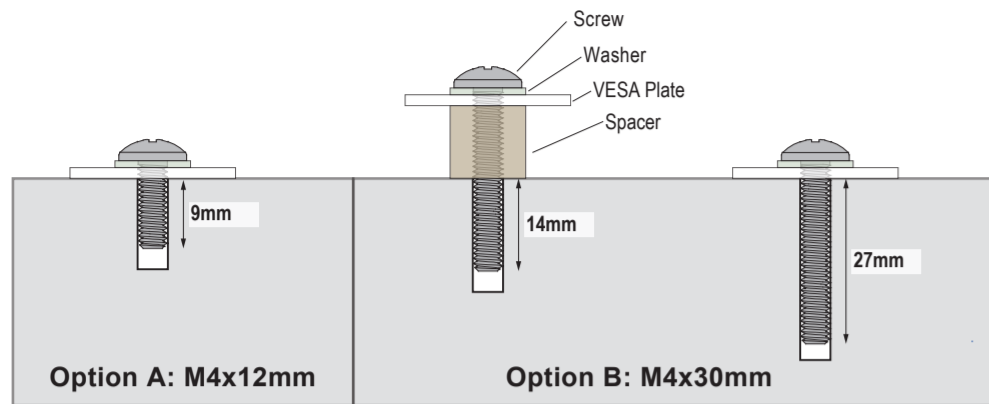
B-3

Run carriage bolt (I) with base (C) through grommet hole on desktop.
Secure base to the desktop by using clip plate (F4) and wingnut (H).



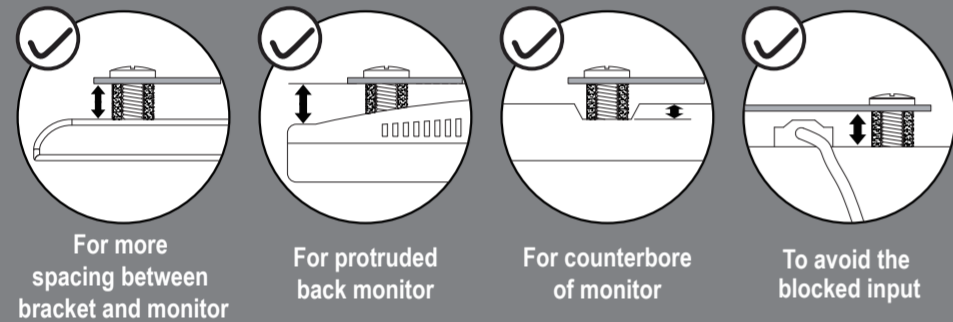
2 Attach VESA Plate to Monitor

2-1 Select Correct Monitor Screw Length

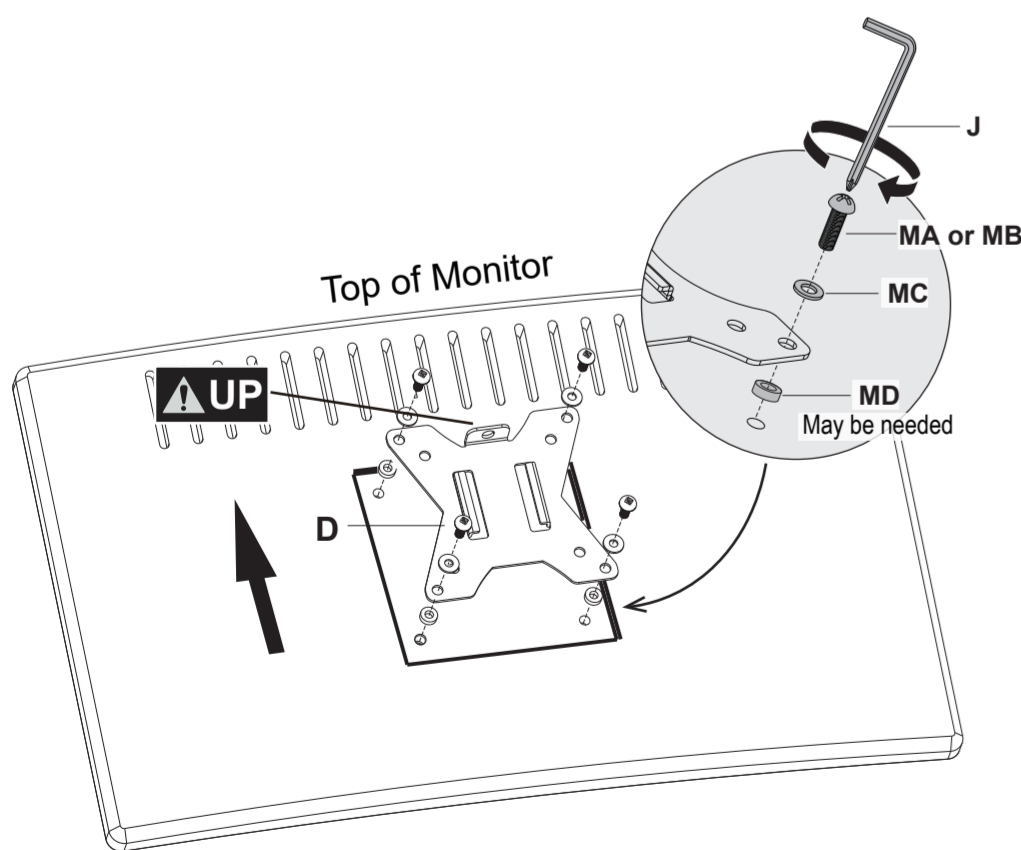


Which Situation Needs Spacers?

If the screw is too long or the surface is uneven, please choose the appropriate screws and spacers for your monitor.



2-2 Attach VESA Plate to Monitor

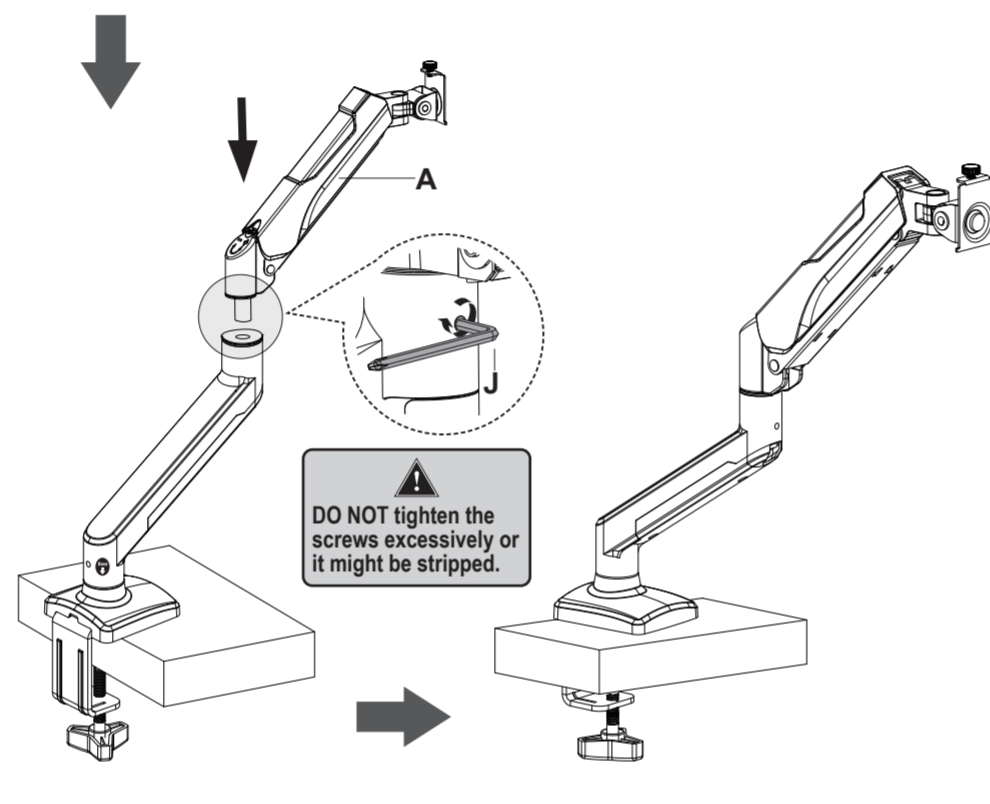
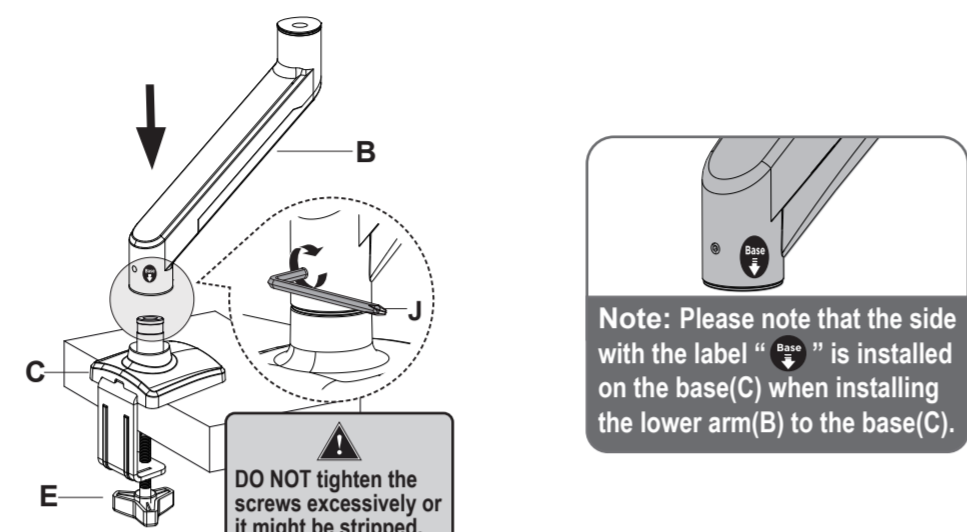


Do not tighten the screws excessively or tighten them by using the Electrodrill, or your monitor might be damaged.

3 Arm and Monitor Installation

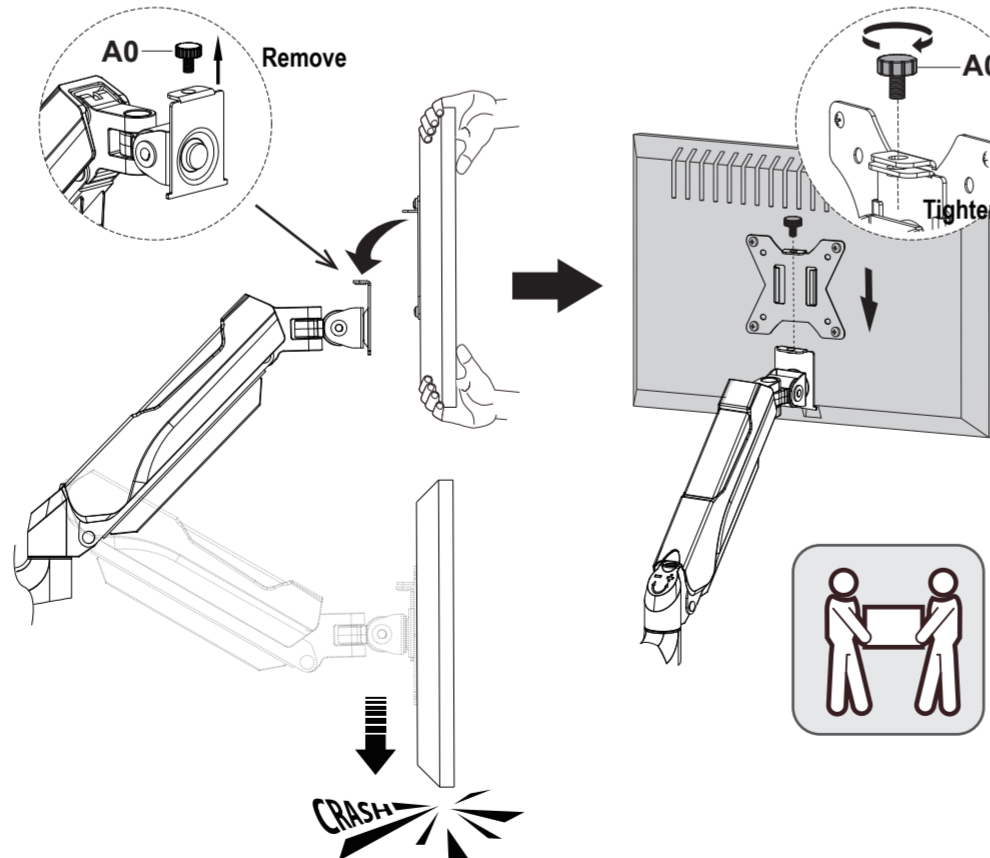
3-1

Install the lower arm (B) to the base (C) then install the upper arm (A) to the lower arm (B). Secure the arms by tightening the inside screws using 4mm Allen key (J).



3-2

Remove the pre-assembled security bolt (A0) from the upper arm (A). Slide the monitor onto the head of upper arm (A), then install the security bolt (A0). Make sure the security bolt (A0) is installed before you rotate the monitor.

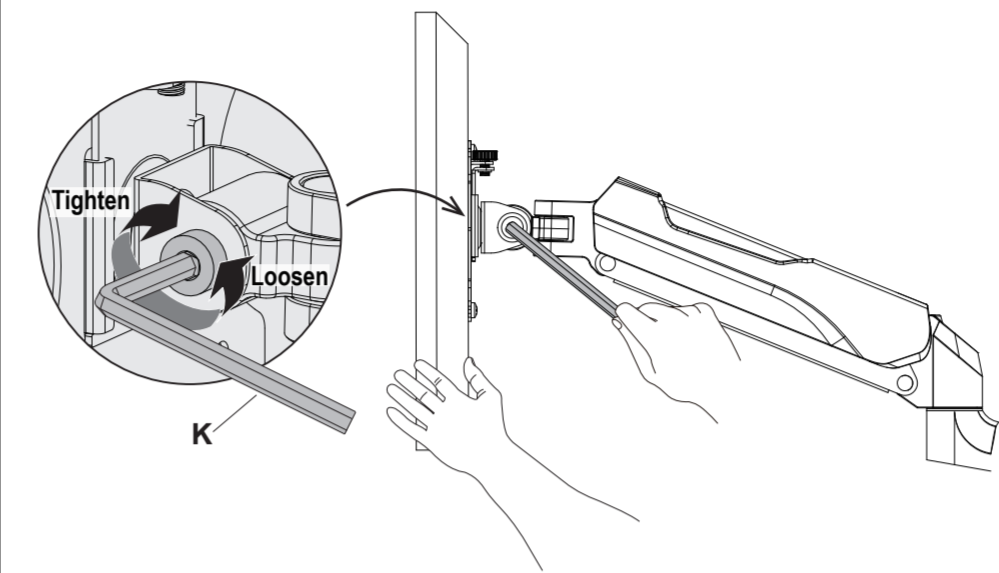


Important Notice: The gas spring is pre-set to minimum tension. Once the monitor is hung on, make sure that hold the monitor with both hands and DO NOT let go suddenly or immediately. Instead, leave the monitor in a slow & gentle way while observing whether the arms will fall down wildly.

4 Adjustments (If necessary)

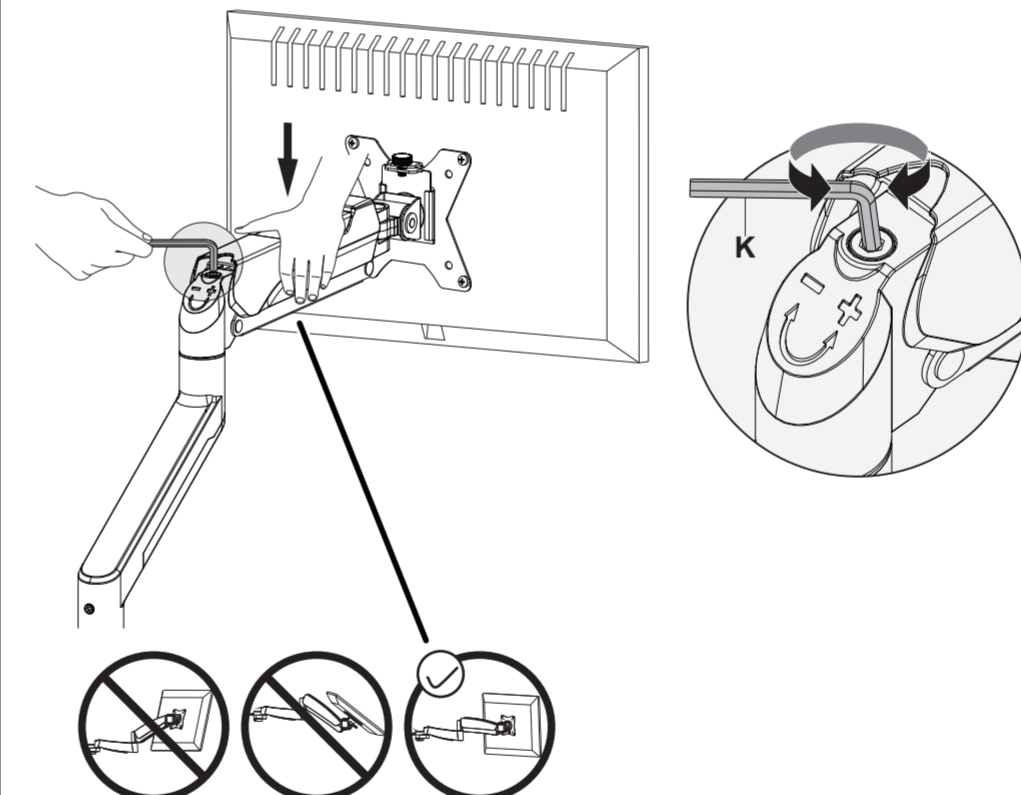
4-1 Tilt Adjustment

- Loosen the tilting bolt.
- Adjust monitor to your desired tilt angle.
- Retighten the tilting bolt to fix the intended angle.

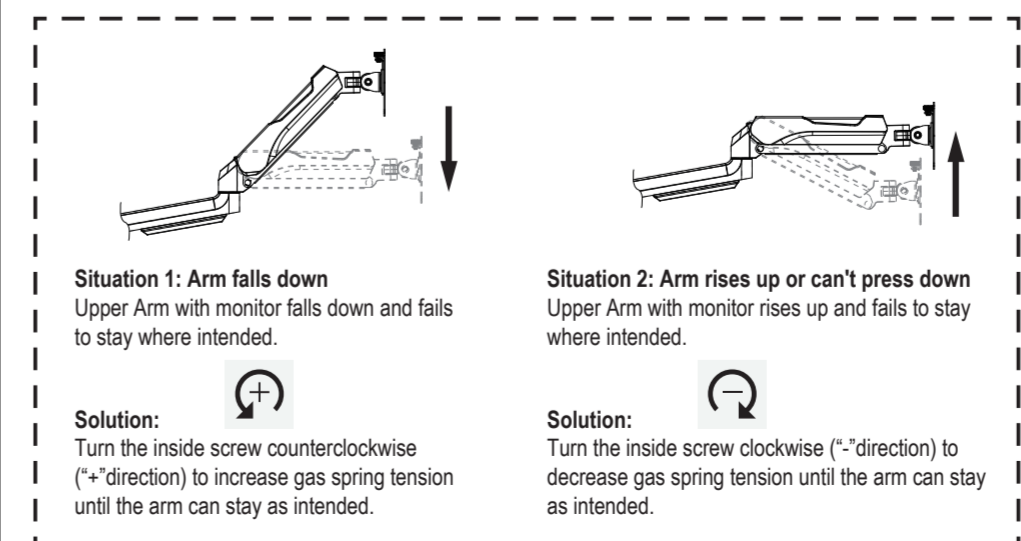


4-2 Tension Adjustment

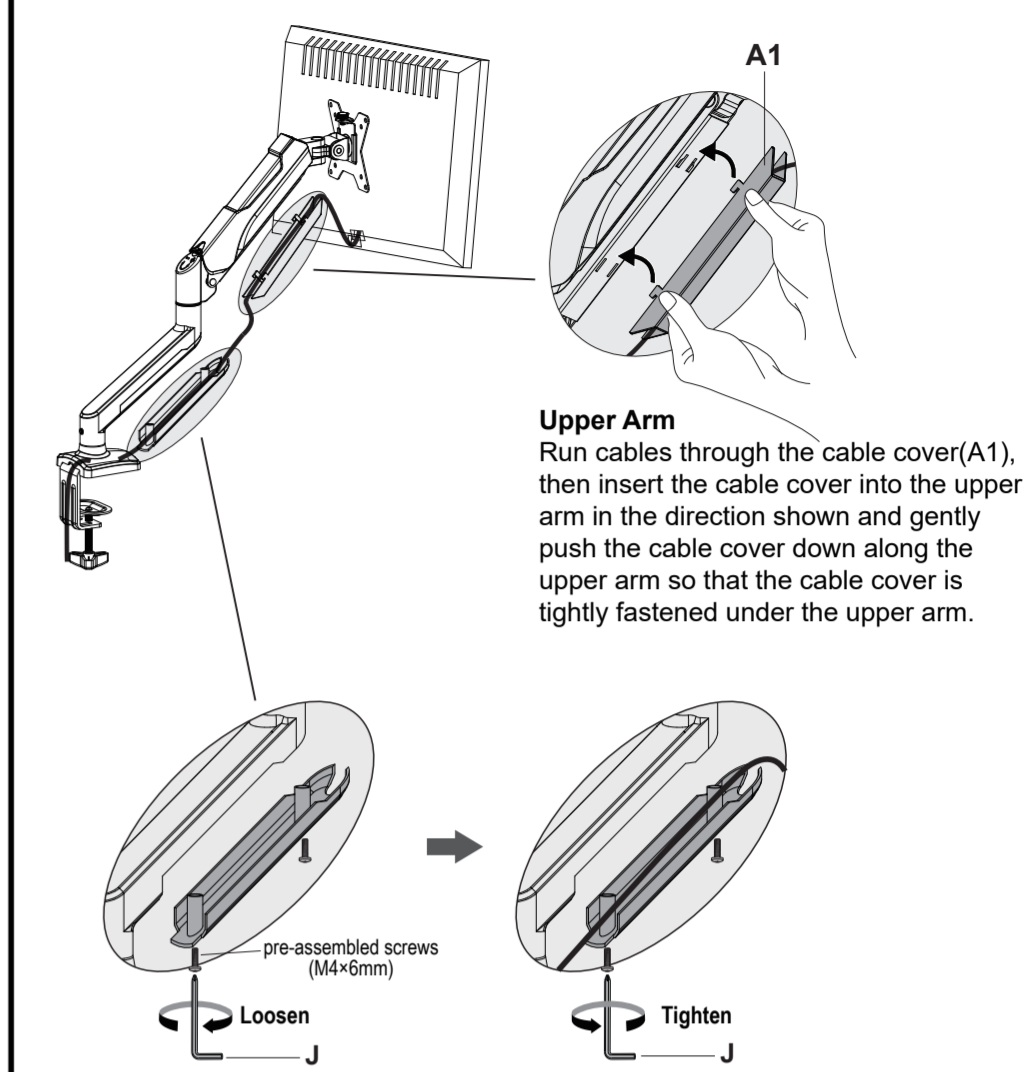
The gas spring is pre-set to minimum tension. For intended functioning of the mount, you may need to adjust the tension of Arm in accordance with your monitor weight by 6mm Allen key (K).



Note: Be sure to keep the arm in a horizontal position during adjustment. Or else it would be difficult to adjust the mount or damage the mount.

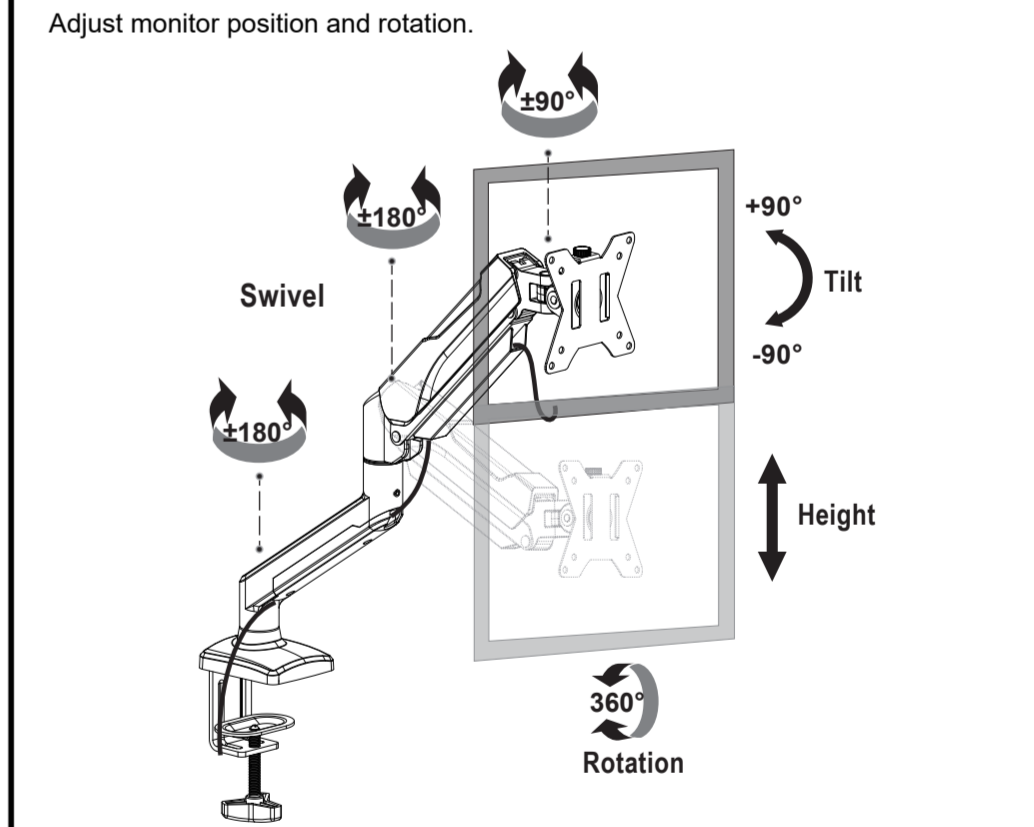


5 Cable Management



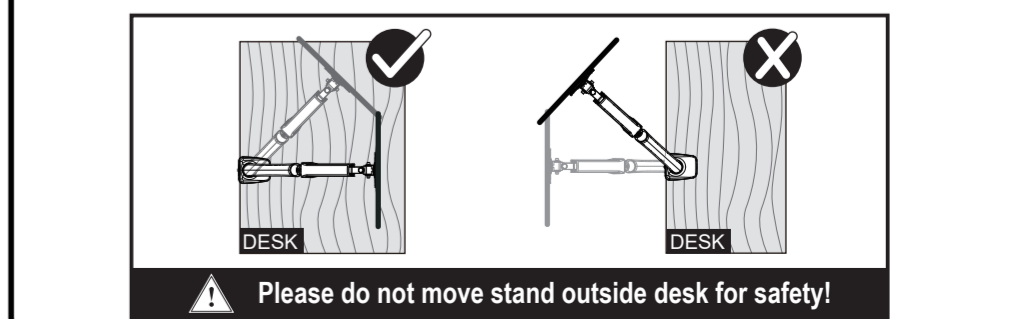
Upper Arm
Run cables through the cable cover(A1), then insert the cable cover into the upper arm in the direction shown and gently push the cable cover down along the upper arm so that the cable cover is tightly fastened under the upper arm.

Lower Arm
Remove the cable cover with 4mm Allen key (J), run cables through the cable cover, then install the cable cover again.



Note: To ensure stability, the tightness of the rotating axis has been preset, so it would be kind of difficult to rotate the VESA plate.

Suggestion: Please attach the monitor first, then hold the sides of it with both hands, and rotate vigorously. If that doesn't work out, please do not hesitate to ask for our help.



Please do not move stand outside desk for safety!