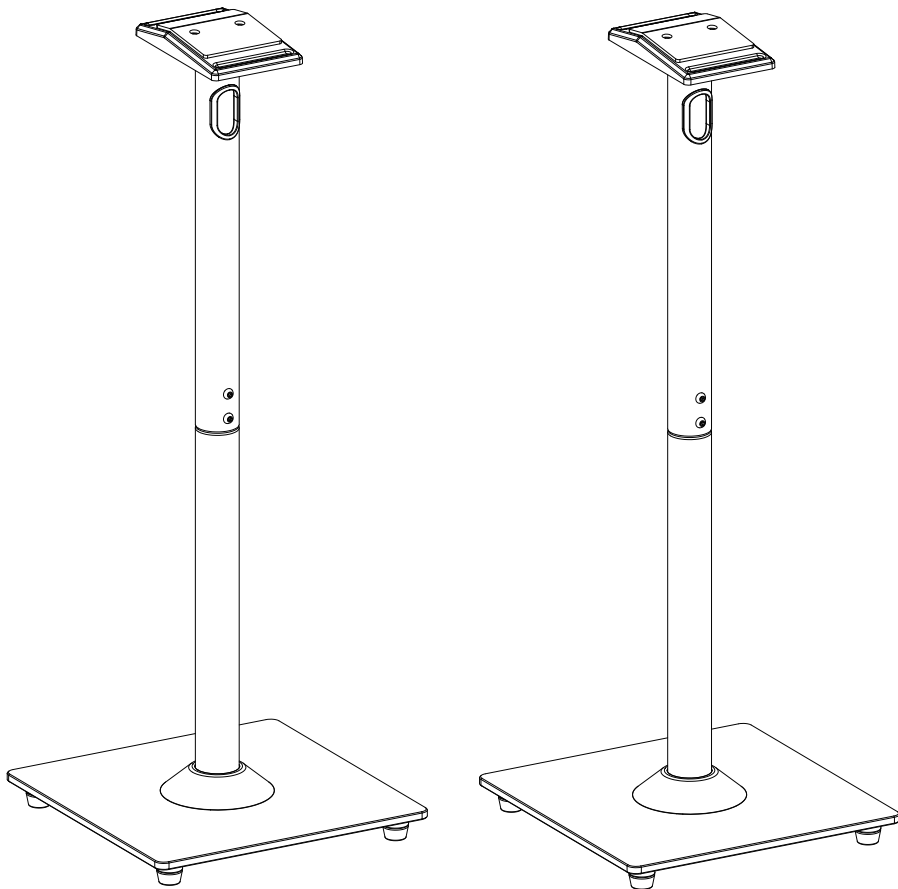

Speaker Stand

Instruction Manual



5kg/11lbs

If you have any questions, please feel free to contact our customer support before returning.



Safety Caution

BEFORE ASSEMBLY

- Layout all components and hardware. Check all parts are included and undamaged.
- Should anybody intends to install or use this mount, please read and understand this manual carefully.
- If you do not understand these instructions or have any doubt about the safety instructions, assembly or use of this product, please contact our customer service.

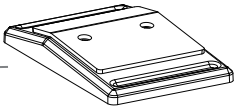
WARNING

- This product contains small items that could be a choking hazard if swallowed.
- KEEP AWAY FROM CHILDREN UNDER 3 YEARS OLD. ADULT SUPERVISION IS REQUIRED.
- Improper installation, such as using the product for speaker over its load capacity or for any purpose not explicitly specified, may cause damage or serious injury. We would not be liable for any damage or injury caused by inappropriate use.

CAUTION AND MAINTENANCE

- Never allow children to climb, stand, hang, or play on any part of speaker or stand.
- This product is intended for indoor use only. Using this product outdoors could lead to product failure and personal injury.
- Check that the stand is secure and safe to use at regular intervals (at least every three months).

PACKAGE CONTENTS



1(x2)

Aluminium tray



2(x2)

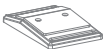
Base



3(x2)

Bottom tube

All are included



1-a



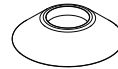
Boltx4

1-b



4(x2)

Upper tube



5(x2)

Plastic cover

Hardware

Philips Screw
M6 x 8mm



A x4

Philips Screw
M5 x 18mm



B x4

Philips Screw
M6 x 16mm



C x8

D6 Metal Washer



D x8

D6 Plastic Washer



E x8

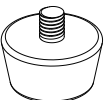
4mm Allen Key



F x1

Hardware for stand assembly

Foot pad



G x8

Carpet nail



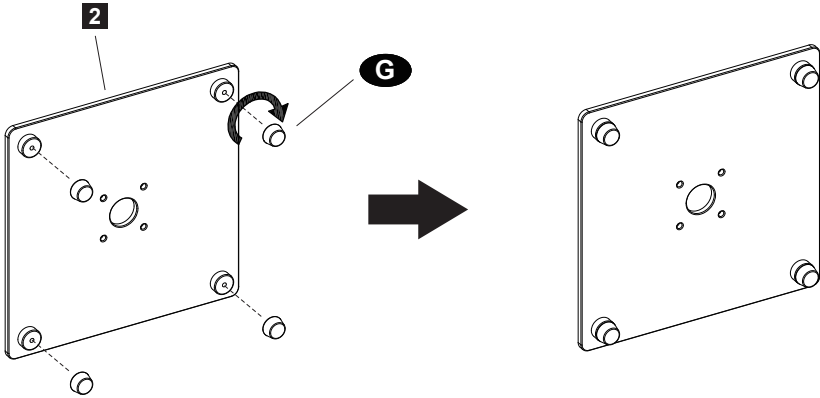
H x8

ASSEMBLY STEPS

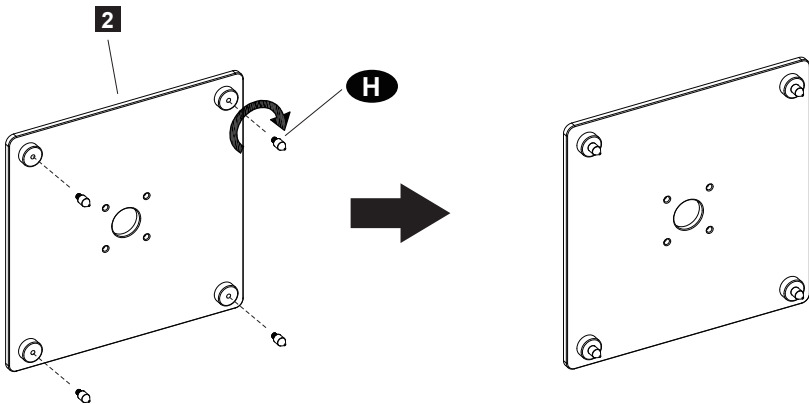
STEP 1: Install the foot pads or carpet nails

Choose foot pads or carpet nails according to your floor type.

Option One: If the stand is placed on wooden, cement, tile or other hard floor, install the foot pad **G** and adjust them to level if the base is not level .

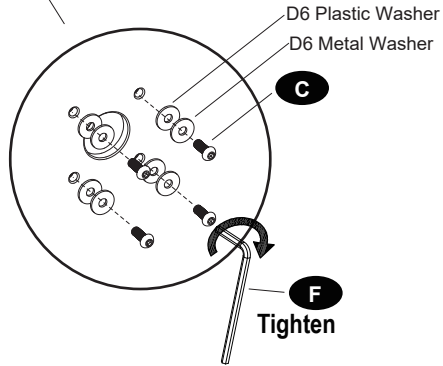
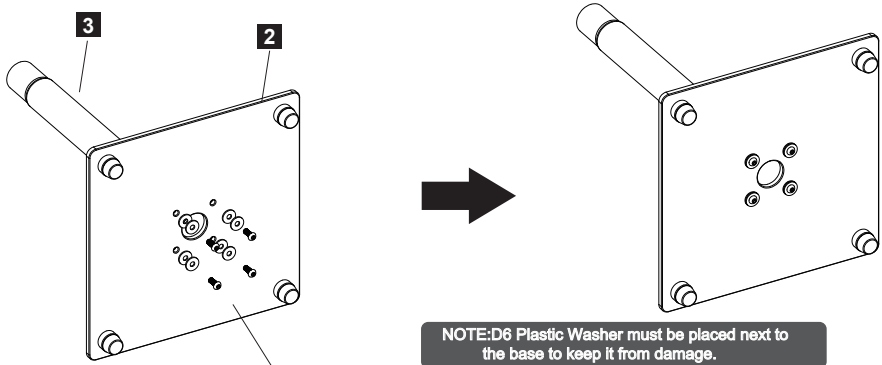


Option Two: If the stand is placed on carpet, install the carpet nail **H** , and adjust them to level if the base is not level.

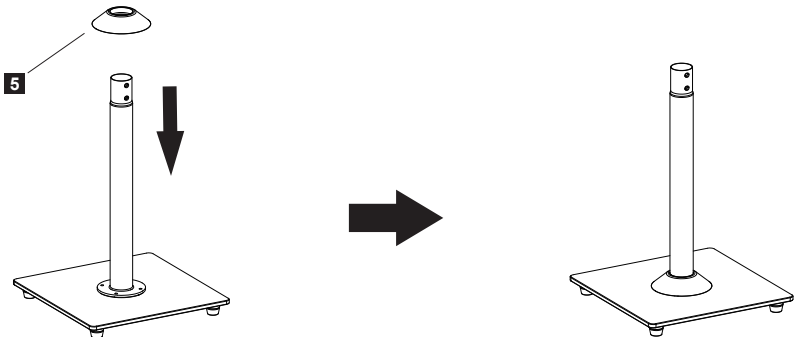


STEP 2: Install the bottom tube

Insert Bottom tube **3** into Base **2**, then fasten Bolt **C** by using Allen key **F**.

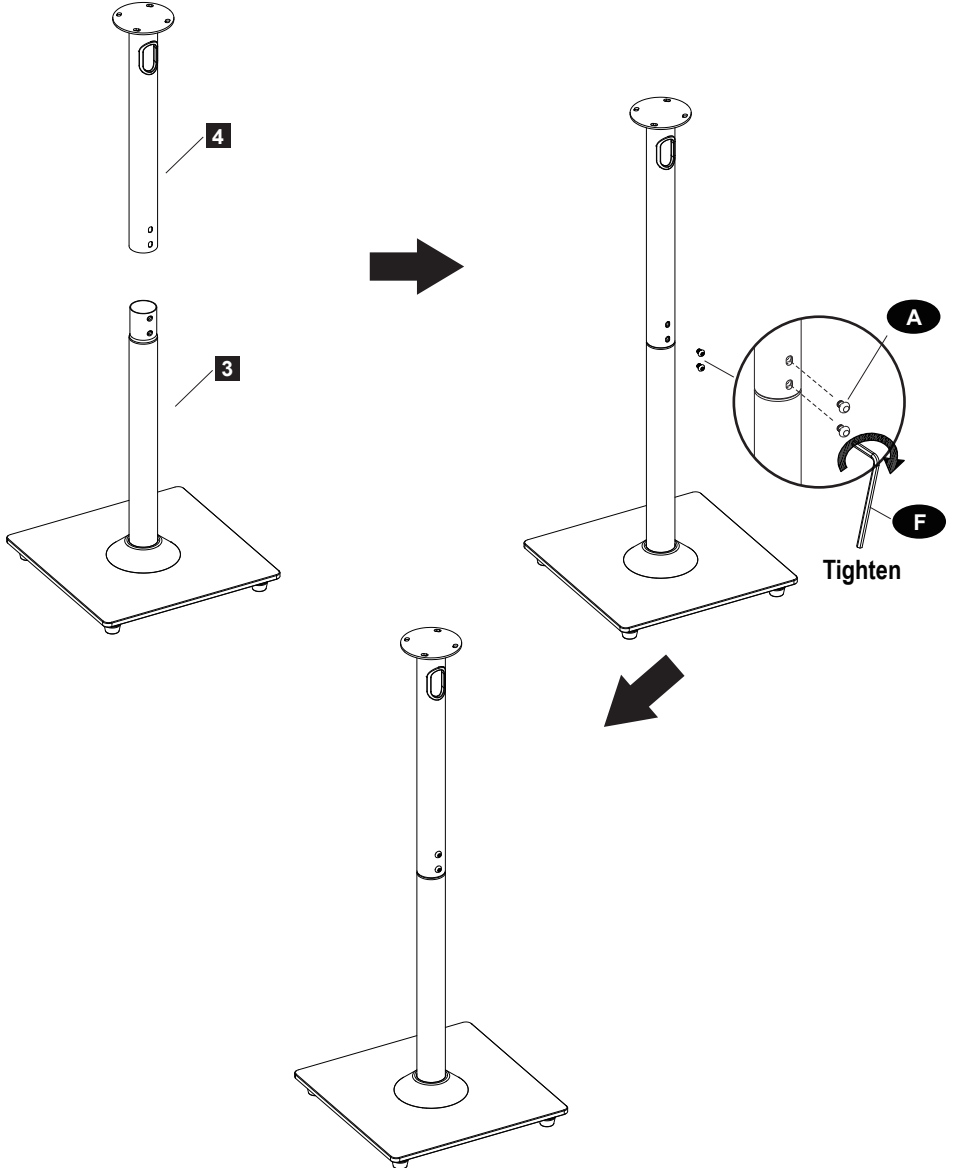


Insert Plastic cover **5** into Base **2**.



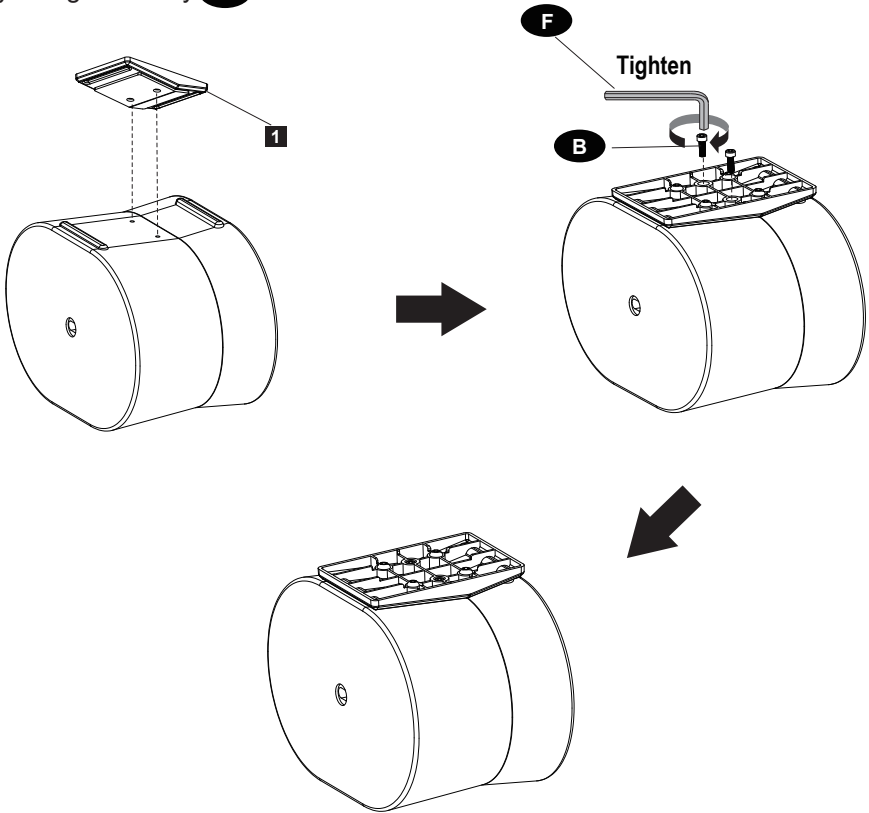
STEP 3: Install the upper tube

Insert Upper tube **4** into Bottom tube **3**, then fasten Bolt **A** by using Allen key **F**.

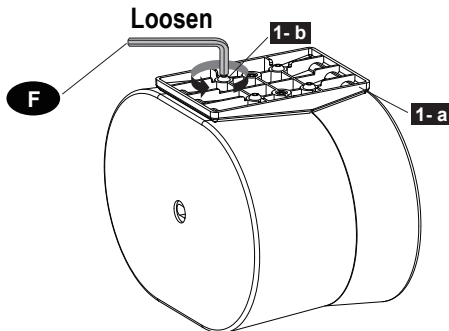


STEP 4: Install the aluminium tray

Align the speaker holes with the holes on the aluminum tray, then fasten Bolt **B** by using Allen key **F**.

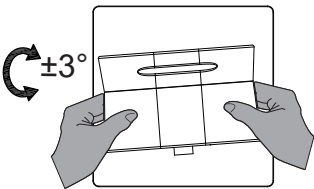
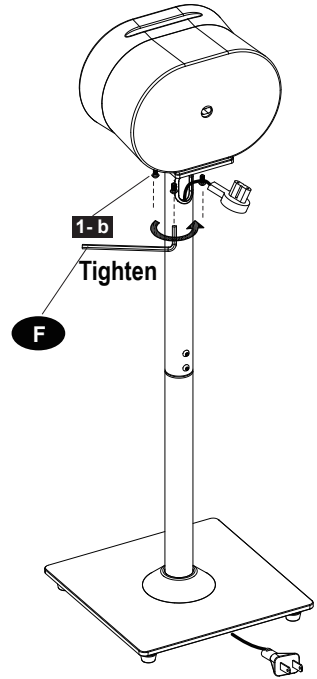
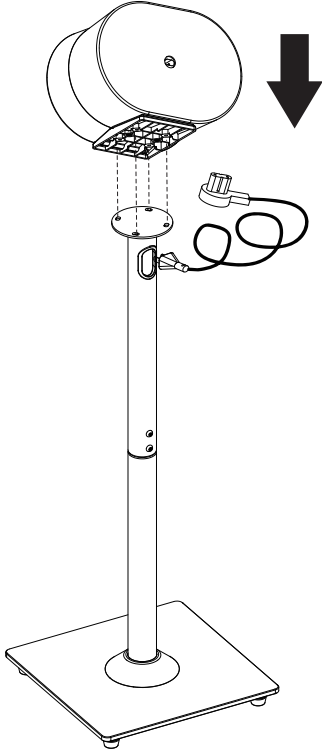


Loose and remove the bolts **1-b** with 4 mm Allen key **F**.

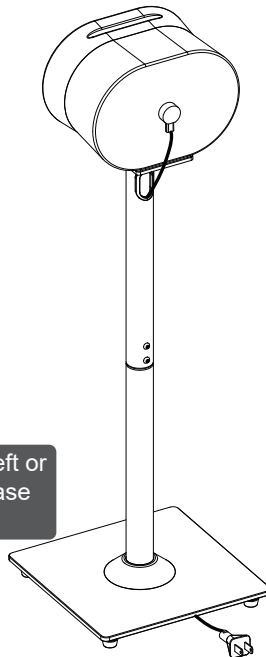


STEP 5: Install the speaker

Insert the plug into the circular hole and pull it out from the hole under the base. Align the holes of the aluminum tray with the holes of the upper tube, then install Bolt **1-b** by using Allen key **F**.



Note: Adjust the speaker to the left or right so that it is parallel to the base before tightening these screws.



Product Dimensions

