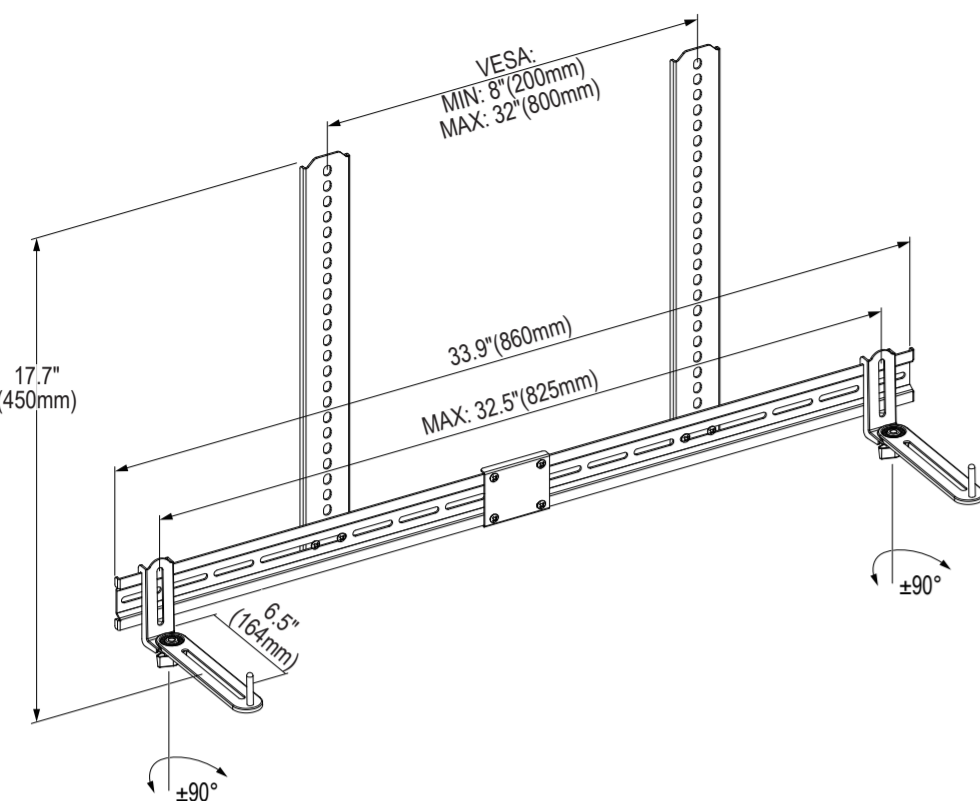


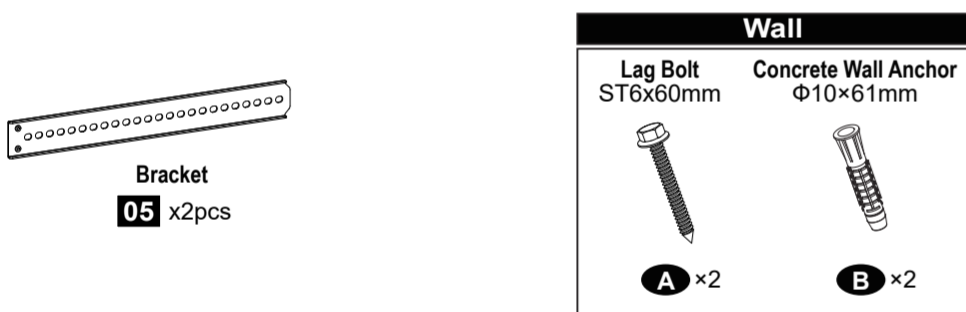
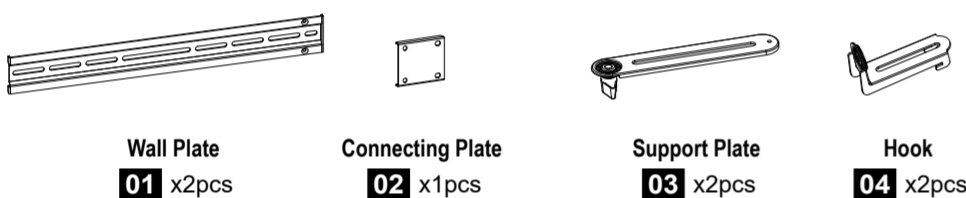
INSTALLATION INSTRUCTION

DWD704_US2.0



If you have any questions, please feel free to contact Customer Service via Amazon before returning.

Supplied Parts and Hardware

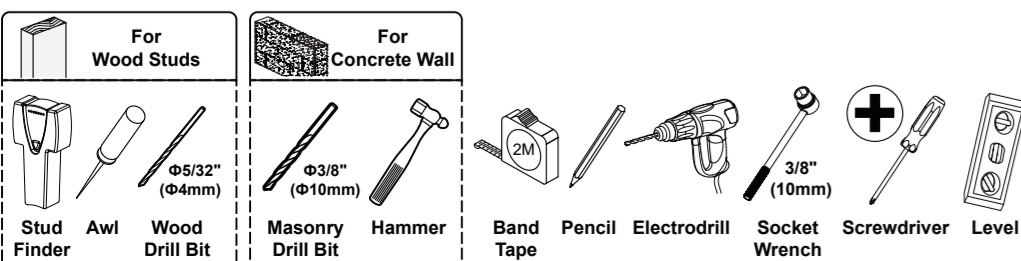


Soundbar & Bracket						
Connecting Screws M5x8mm x8 I	Soundbar Screws M4x15mm x2 M5x15mm x2 M6x15mm x2 II	Washers Φ6mm x2	Long Nut M3 x2 III	Screws M3x8mm x2		

TV						
Phillips Screws M6 x 15mm A x4	Phillips Screws M6 x 25mm B x4	Phillips Screws M8 x 25mm C x4	Phillips Screws M8 x 45mm D x4	Spacers H10mm E x4	Spacers H2.5mm F x6	Washers Φ6mm G x4

NOTE: Not all parts and hardware included will be used.

Extra Tools You Need (Not Supplied)



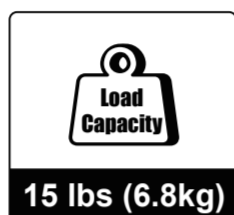
Safety Caution

Please read this instruction carefully before installation. If you do not understand these instructions or have doubts about the safety of the installation, assembly or use of this product, please contact us.

- The weight of your soundbar should **NOT EXCEED 6.8kg (15 lbs)**.
- Please read through the user manuals of your TV, soundbar and TV mount for additional guidance.
- Incorrect installation may result in product damage or body injury.
- You must verify that the total weight of your TV, soundbar, soundbar mount and any accessories must be lower than the maximum weight rating of your TV mount.
- For wall mounted TVs, the wall must be capable of supporting five times the weight of the TV, mounts and soundbar combined.

WARNING: This product contains small items that could be a choking hazard if swallowed. Before starting assembly, verify all parts are included and undamaged. If any parts are missing or damaged, do not return the damaged item to your dealer; please contact our customer service team. Never use damaged parts!

Must Check Before Getting Started

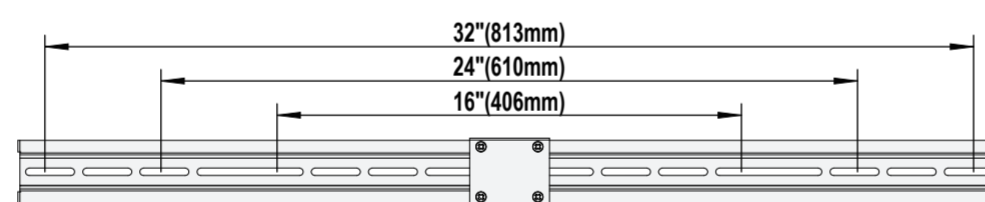
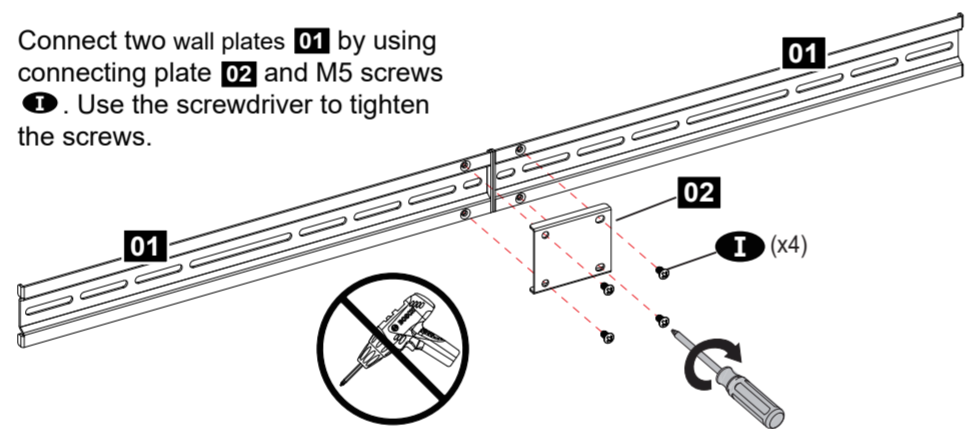


WARNING: DO NOT exceed the maximum weight indicated.

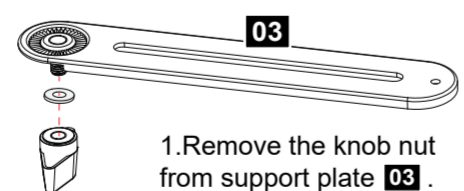
1 Assemble Wall Plate and Support Plate

1-1 Assemble Wall Plate

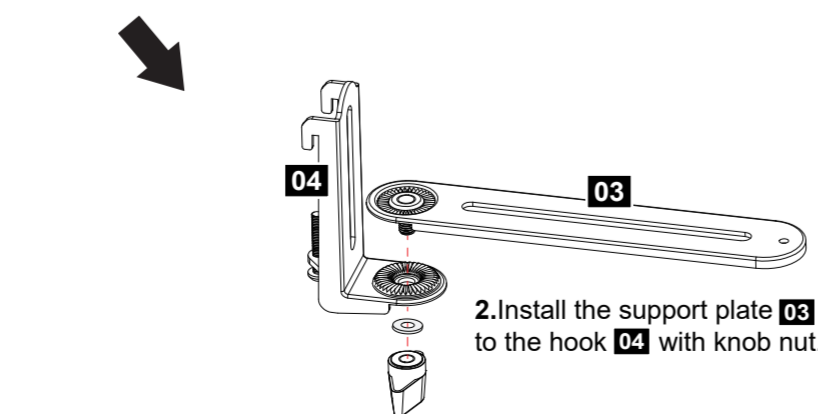
Connect two wall plates **01** by using connecting plate **02** and M5 screws **I**. Use the screwdriver to tighten the screws.



1-2 Assemble Support Plate



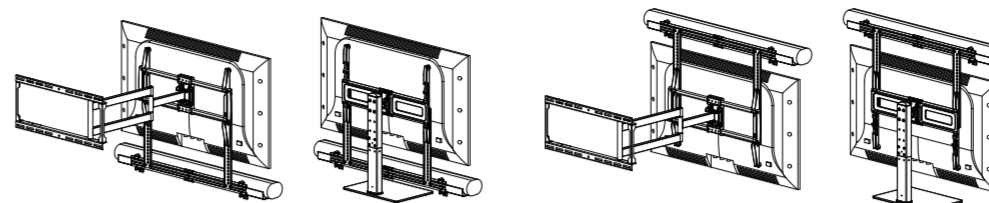
1. Remove the knob nut from support plate **03**.



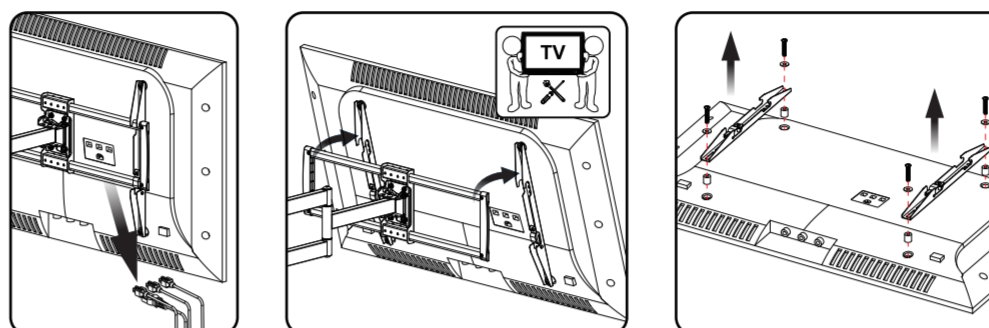
2. Install the support plate **03** to the hook **04** with knob nut.

2A Mount with TV Mount Bracket

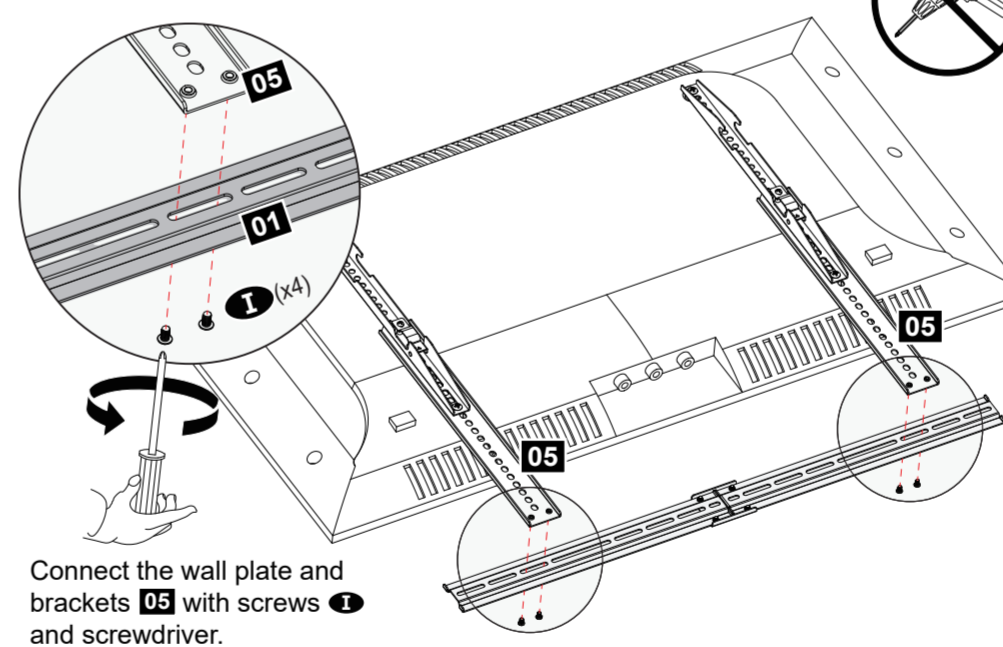
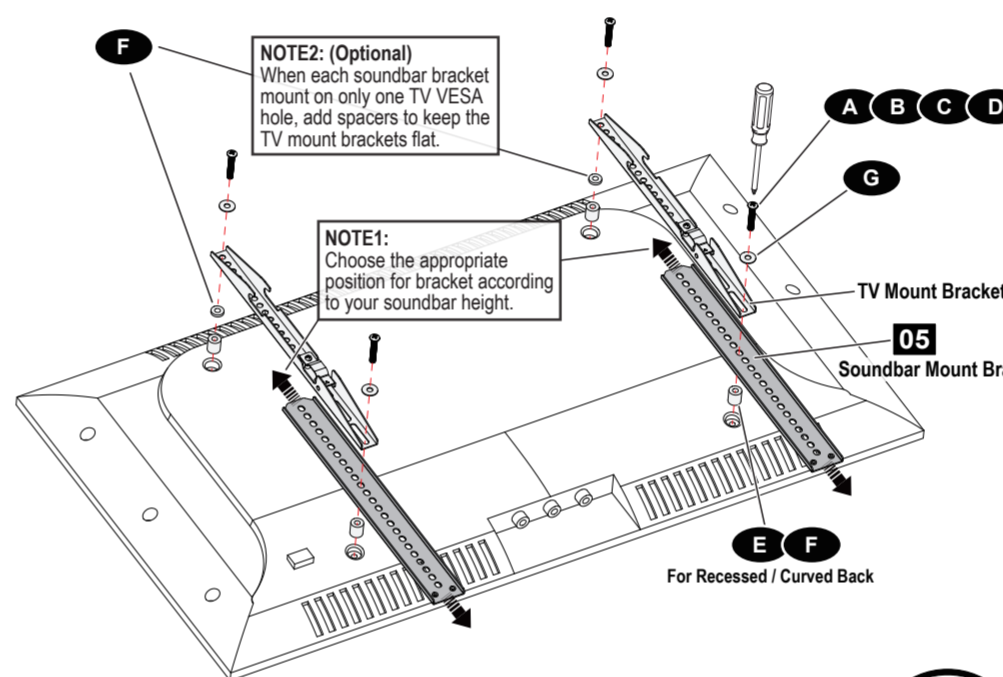
Assembly Options (Just for reference)



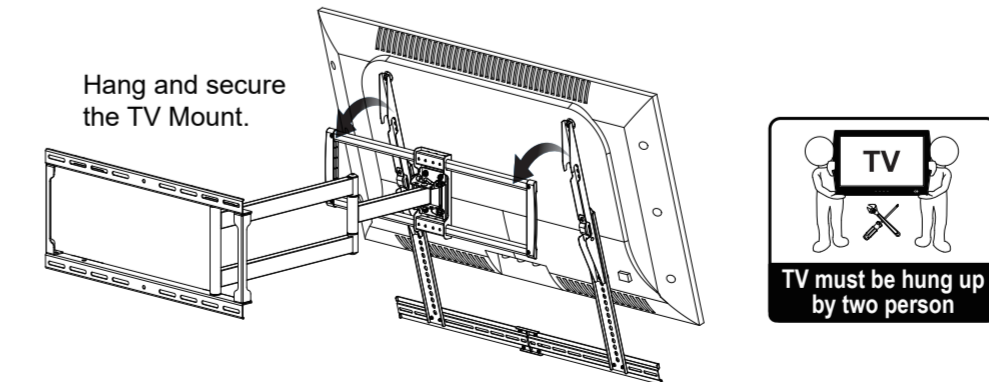
A-1 Remove Your TV from the TV Mount



A-2 Attach the Soundbar Brackets to Your TV



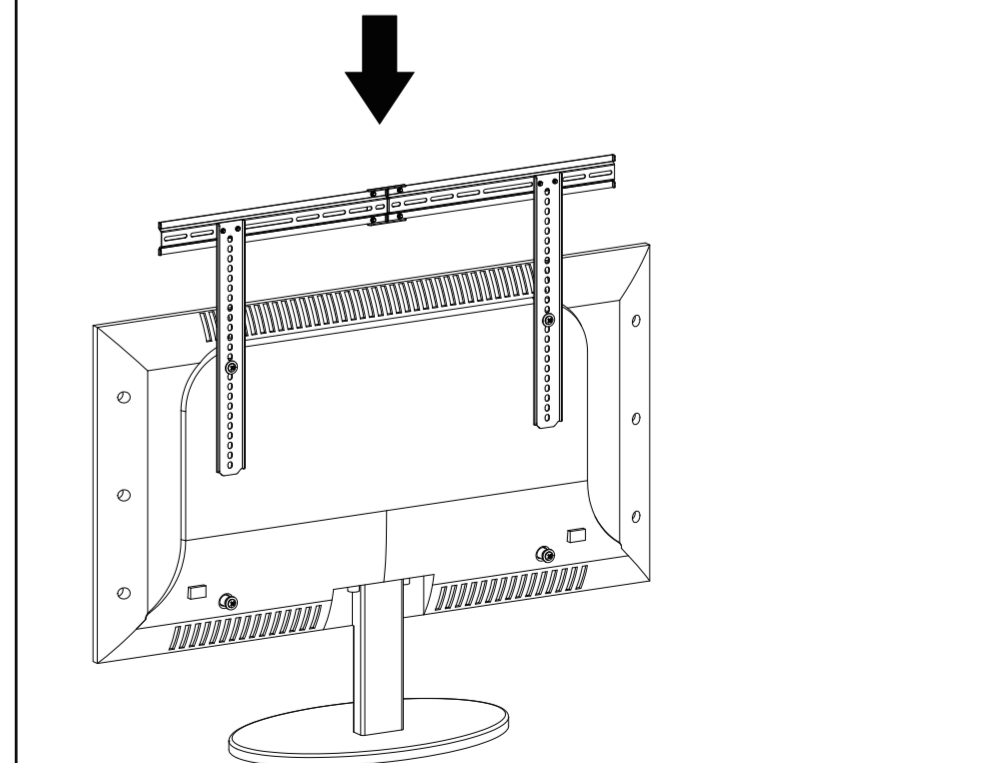
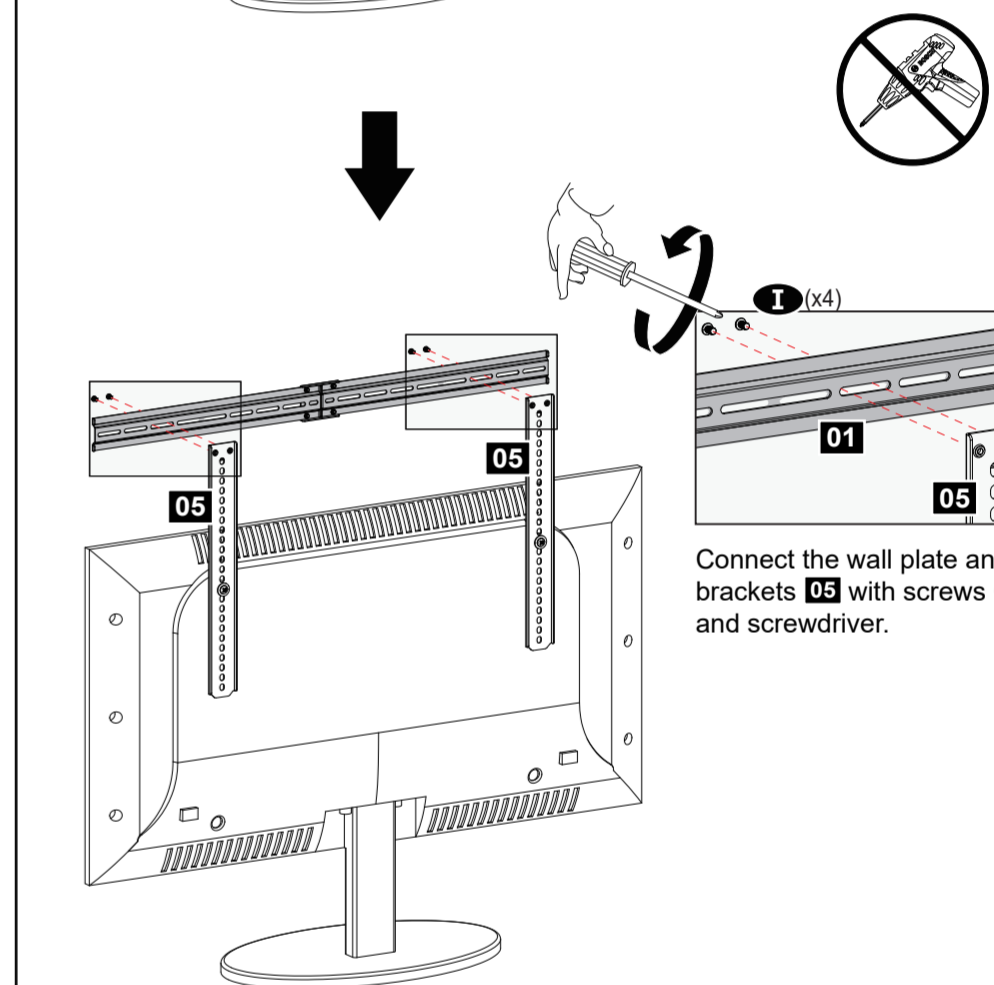
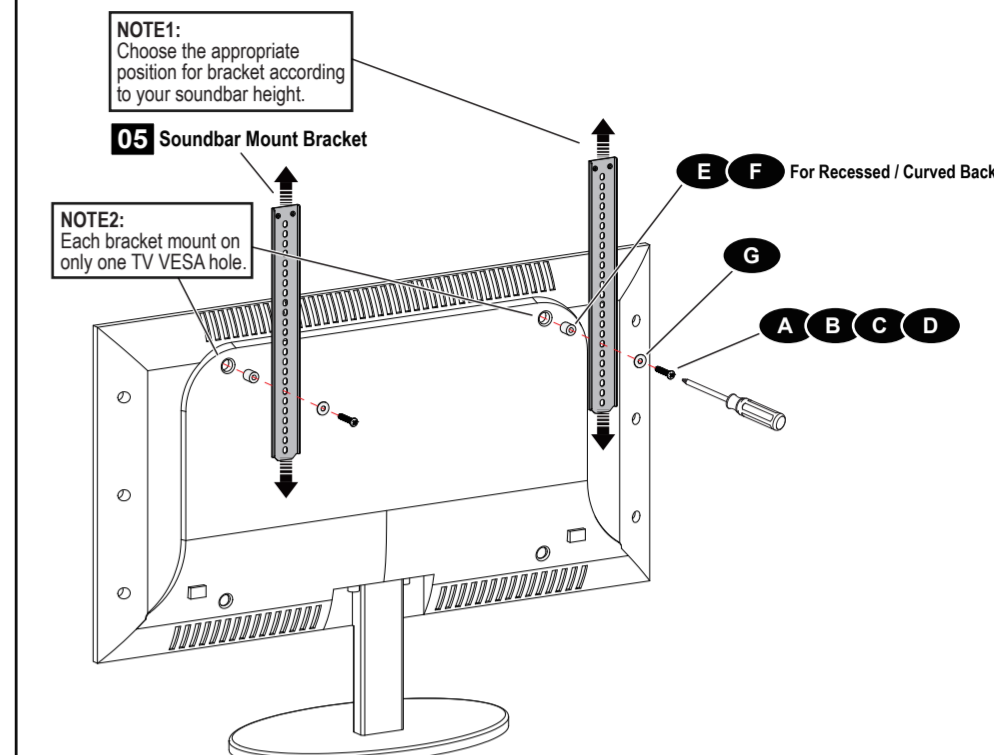
A-3 Hang the Whole Assembled Unit to the TV Mount



STEP 3

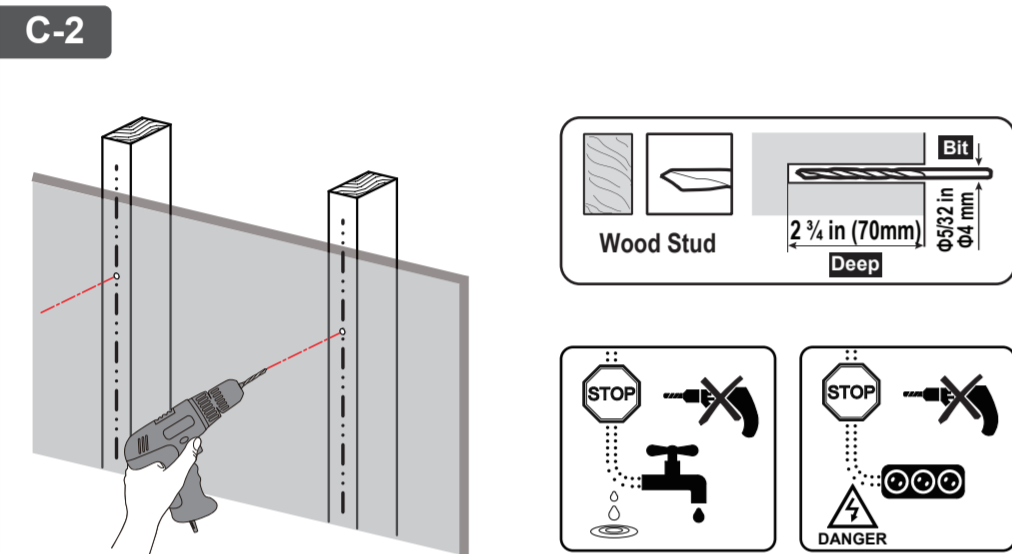
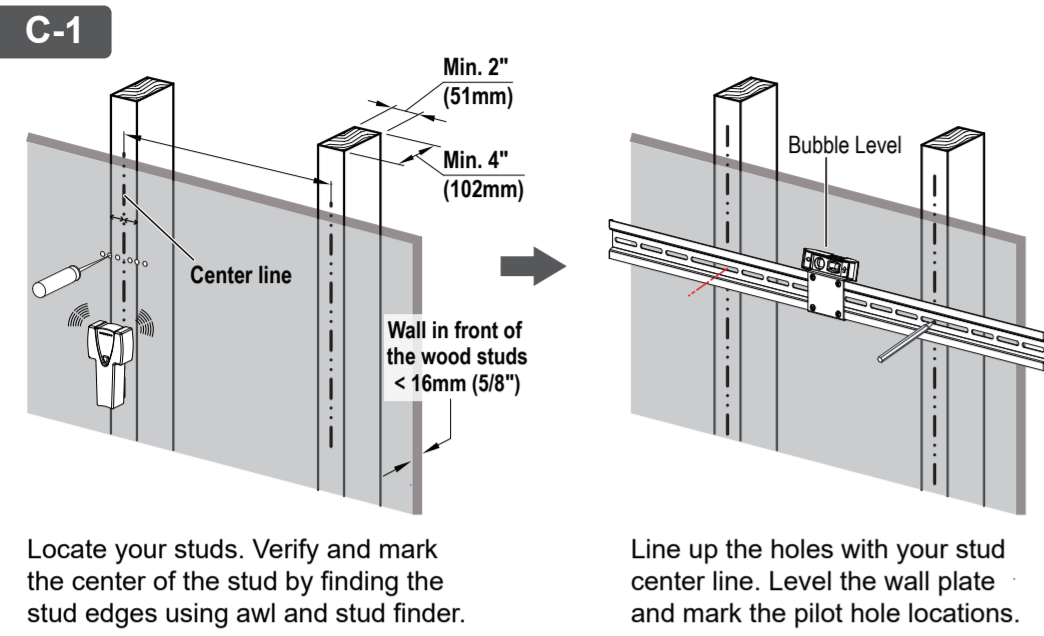
2B Mount without TV Mount Bracket

Soundbar brackets directly attach to TV back



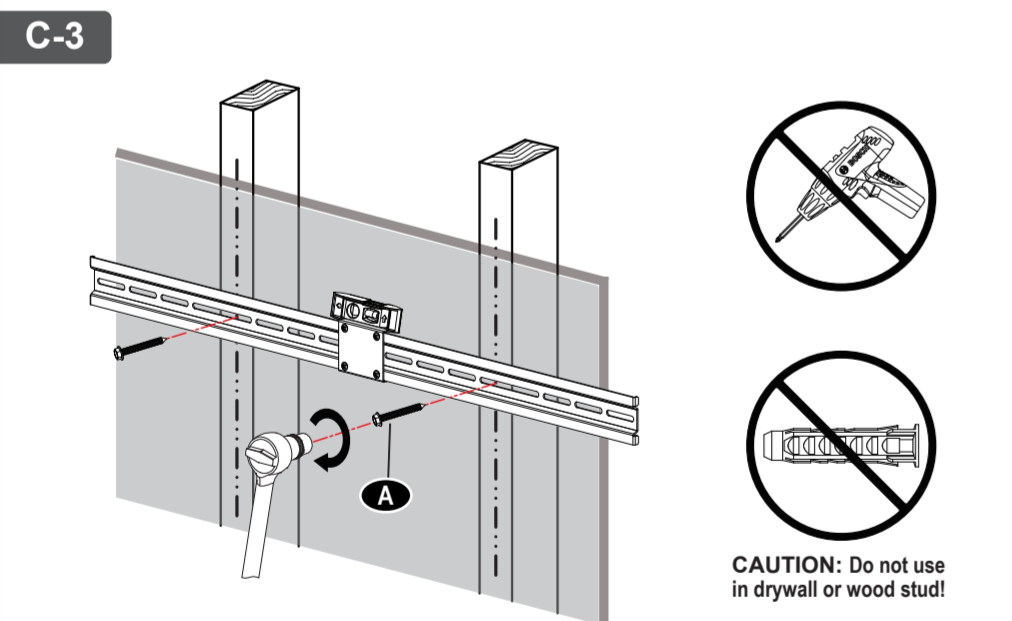
STEP 3

2C Mount on the Wood Stud



Drill pilot holes using a $\Phi 5/32$ in ($\Phi 4$ mm) diameter drill bit.

IMPORTANT:
Do not drill holes into where water pipes or electrical wires are located. Be sure to drill into the center of the stud.

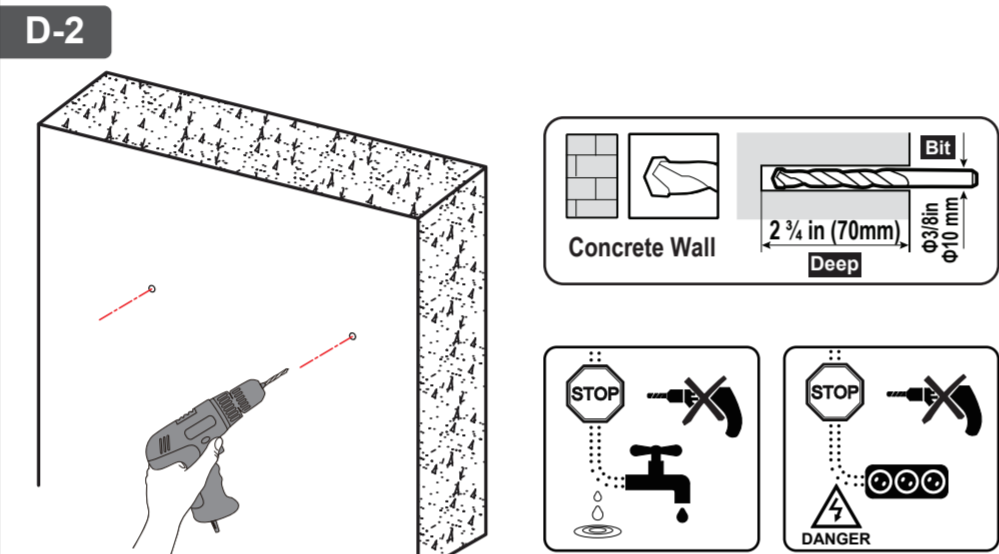
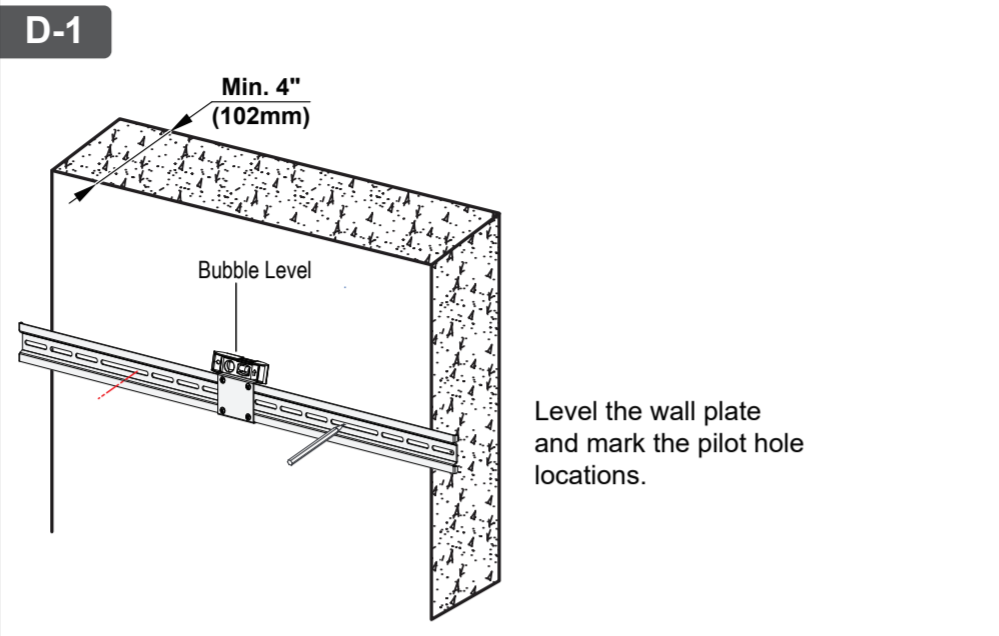


Install wall plate using lag bolts **A** with Socket Wrench, NO Electrodrill. No anchors when installed onto the wood studs.

CAUTION:
To avoid potential personal injury or property damage:
All 2 lag bolts **A** **MUST BE** firmly tightened to prevent unwanted movement of the wall plate assembly. Ensure the wall plate assembly is securely fastened to the wall before continuing on to the next step.

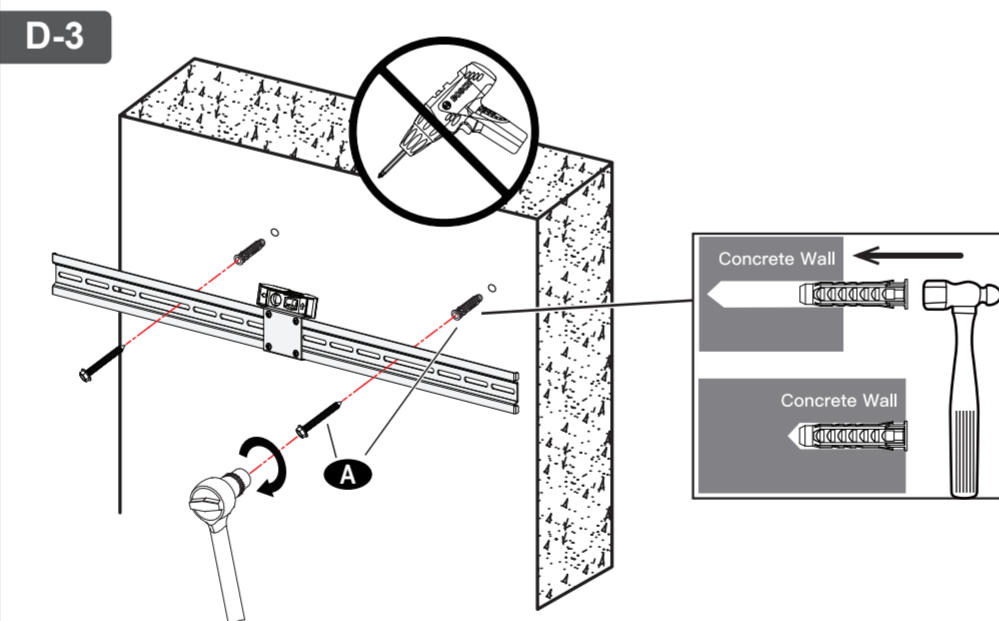
STEP 3

2D Mount on the Solid Concrete Wall



Drill pilot holes using a $\Phi 3/8$ in ($\Phi 10$ mm) diameter drill bit.

IMPORTANT:
Do not drill holes into where water pipes or electrical wires are located, or mortar between blocks.



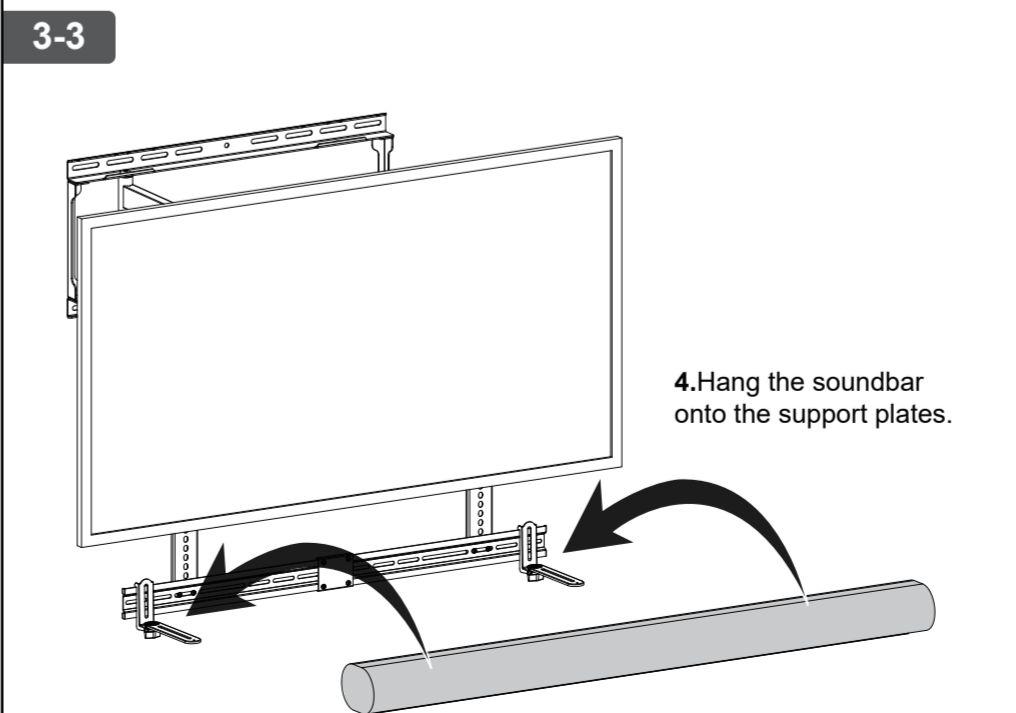
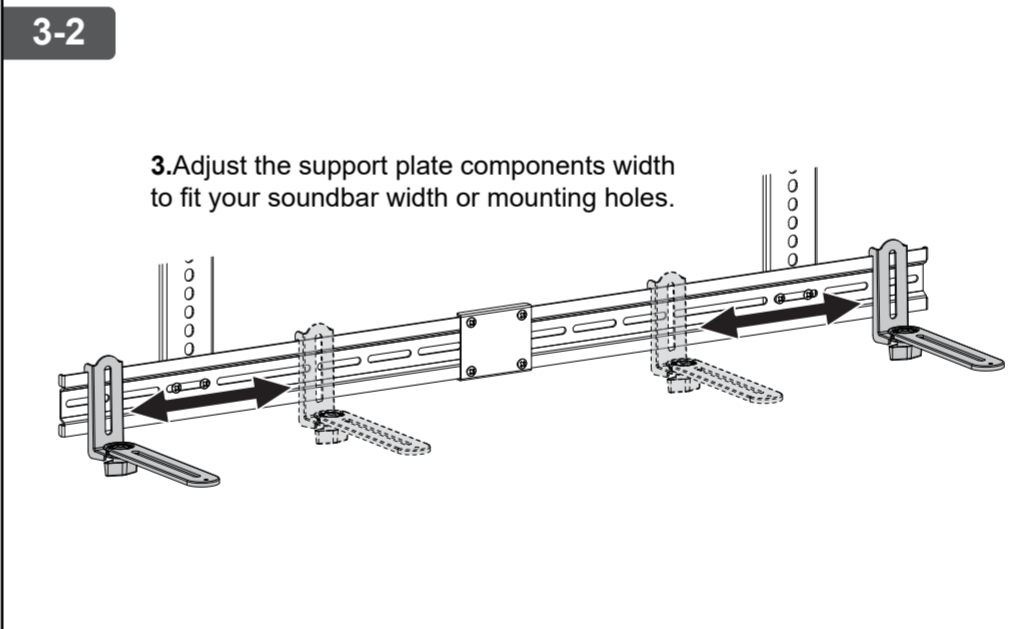
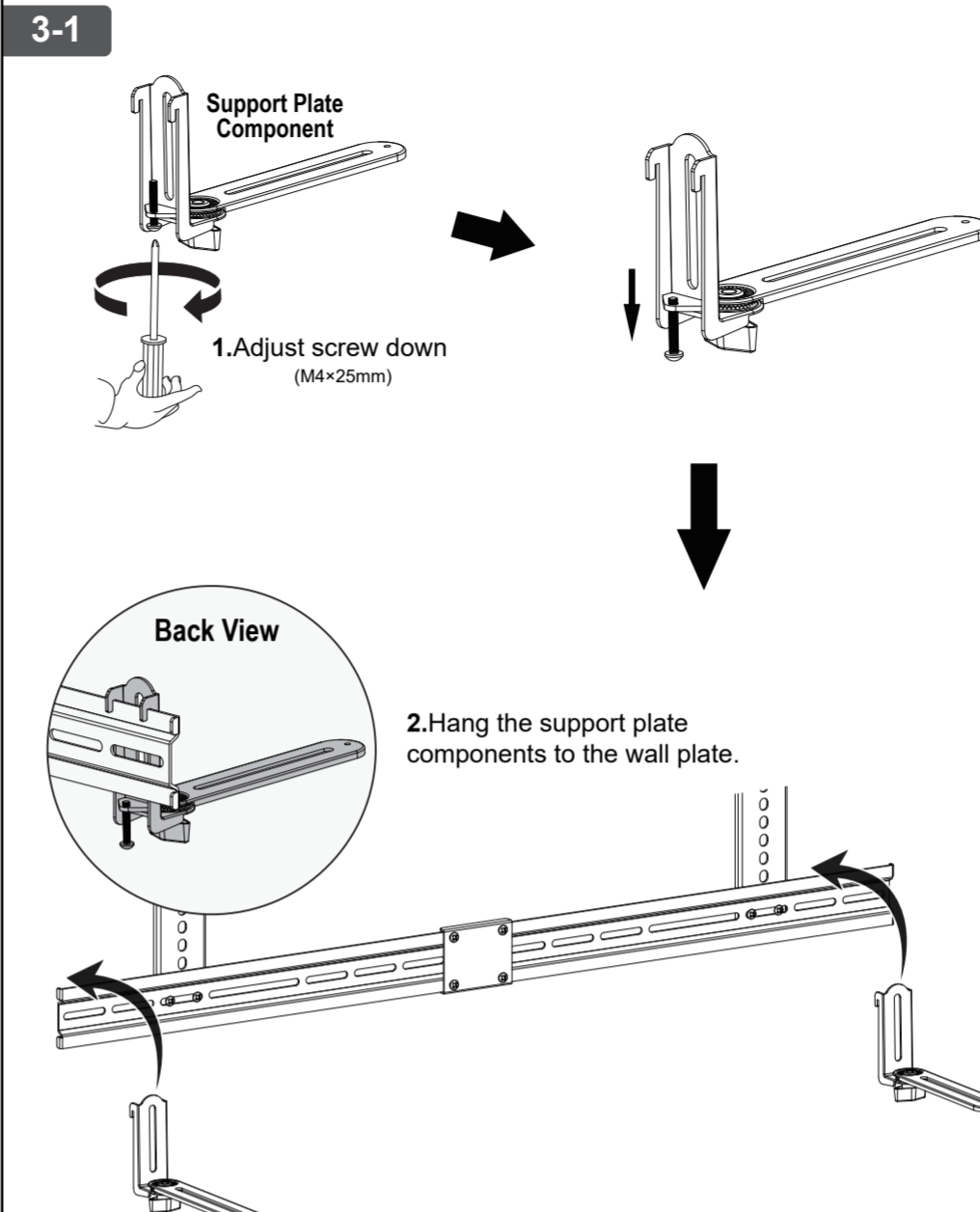
Use the hammer to knock anchors into the concrete wall. Be sure the anchors are seated flush with the concrete surface.

Install wall plate using lag bolts **A** and anchors with Socket Wrench, NO Electrodrill.

CAUTION:
To avoid potential personal injury or property damage:
All 2 lag bolts **A** **MUST BE** firmly tightened to prevent unwanted movement of the wall plate assembly. Ensure the wall plate assembly is securely fastened to the wall before continuing on to the next step.

STEP 3

3 Hang the Soundbar to Support Plate



4 Secure the Soundbar

