

Soundbar Wall Mount

Instruction Manual



YZ-A01_US1.0

CAUTION AND MAINTENANCE:

- ◆ Don't allow children to climb, stand, hang, or play on any part of mount.
- ◆ This product is intended for indoor use only. Using this product outdoors could lead to product failure and personal injury.
- ◆ Incorrect installation may result in product damage or body injury.
- ◆ Check that the bracket is secure and safe to use at regular intervals (at least every three months).

WARNING: This product contains small items that could be a choking hazard if swallowed. Before starting assembly, verify all parts are included and undamaged. If any parts are missing or damaged, do not return the damaged item to your dealer; please contact our customer service team. Never use damaged parts!

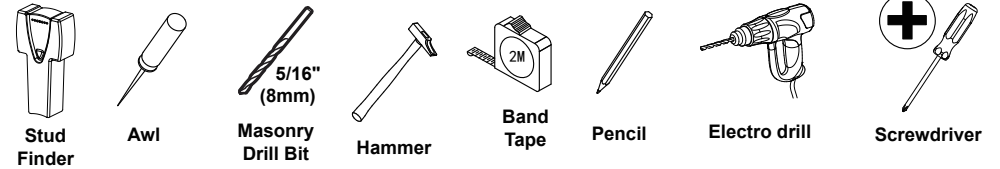
If you have any questions, please feel free to contact us via Amazon.

Supplied Parts and Hardware

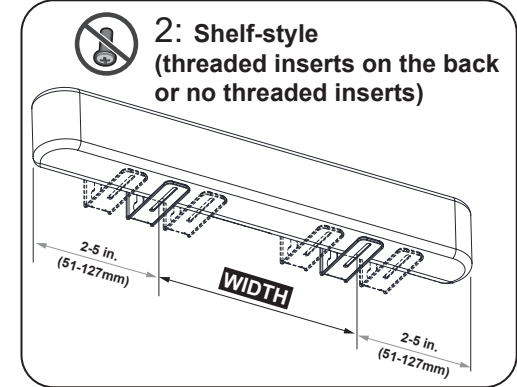
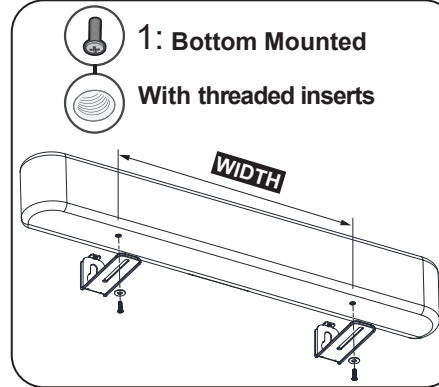
<p>Bracket with Pad 1 x2</p>	<p>For Drywall installations ONLY DO NOT use in concrete or wood</p> <p>Drywall Anchor 2 x3</p>	<p>For Concrete installations ONLY DO NOT use in drywall or wood</p> <p>Concrete Anchor 3 x3</p>	<p>Plastic Washers 4 x3</p>						
<p>Bubble level 5 x1</p>	<p>Hanging Template 6 x1</p>								
<p>Lag Bolt ST3.8x50mm 7 x3</p>	<p>Leveling Screws M4 x 20mm 8 x2</p>	<p>Soundbar Screws</p> <table border="1"> <tr> <td>M6 x 16mm</td> <td>M5 x 16mm</td> <td>M4 x 16mm</td> </tr> <tr> <td></td> <td></td> <td></td> </tr> </table> <p>A qty. 2 each</p>	M6 x 16mm	M5 x 16mm	M4 x 16mm				<p>Soundbar Washers Ø 6 mm</p> <p>B x2</p>
M6 x 16mm	M5 x 16mm	M4 x 16mm							

1

Installation Tools (Not Included)

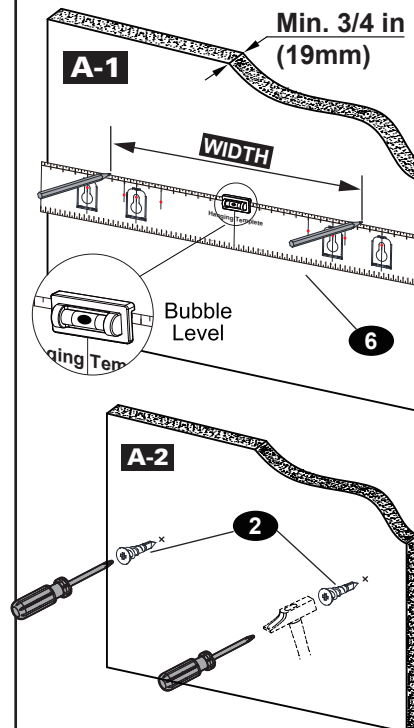


Determine your install method



Step 1 Install plastic washers

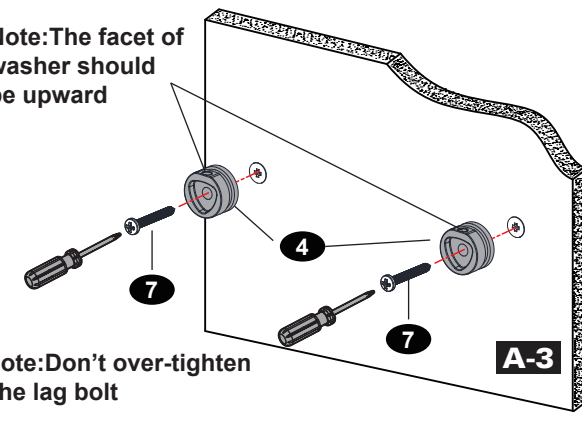
Option A For drywall



1. Please expand the Template **6**, level the template on the drywall. Then mark the position you want according to the width of the previous step.
2. Install the drywall anchors **2** with the hammer and screwdriver.
3. Install the plastic washers **4** using the lag bolts **7** with screwdriver, NO Electro drill.

Note: The facet of washer should be upward

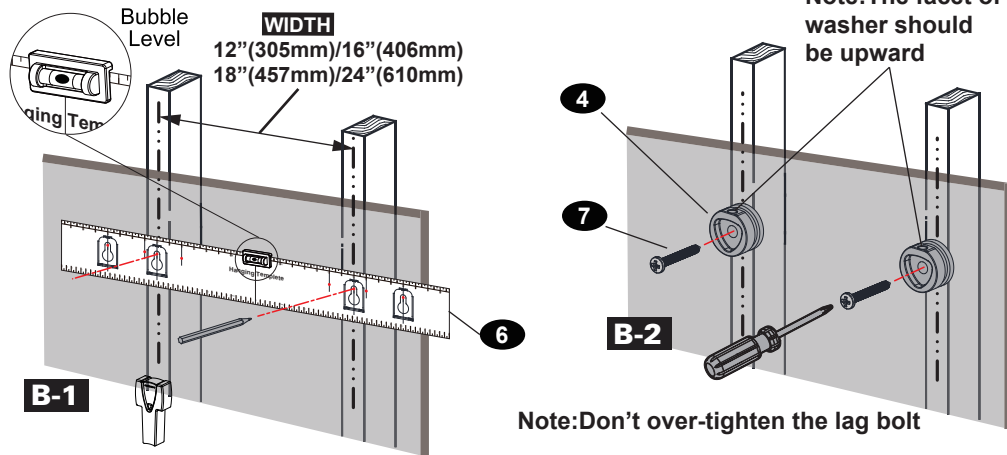
Note: Don't over-tighten the lag bolt



2

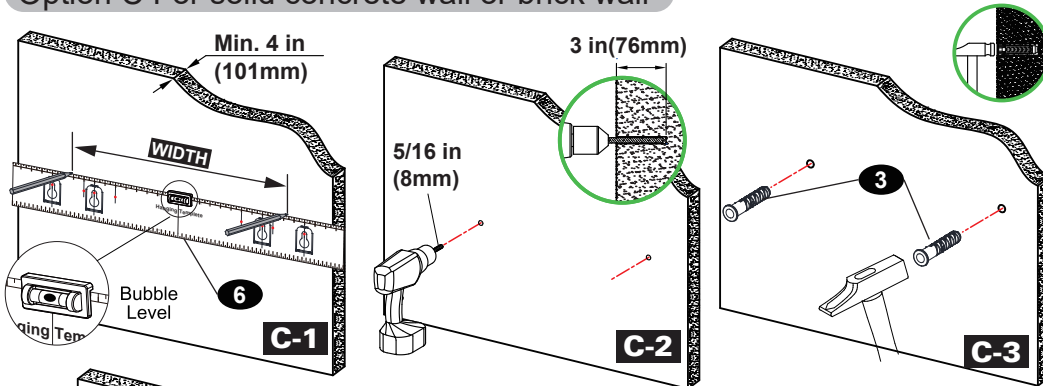
Step 1 Continue

Option B For wood studs (12" or 16" or 18" or 24")



- 1-1. Locate your studs. Verify and mark the center of the stud by finding the stud edges using a Awl or an edge to edge stud finder.
- 1-2. Please expand the Template **6**, level the template, find the 12"/16"/18"/24" hole, then mark it.
2. Install the plastic washers **4** using the lag bolts **7** with screwdriver, NO Electro drill.

Option C For solid concrete wall or brick wall

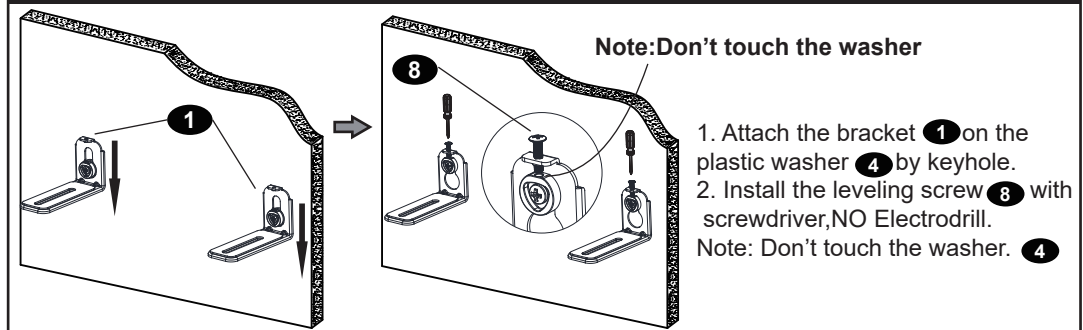


Note: The facet of washer should be upward

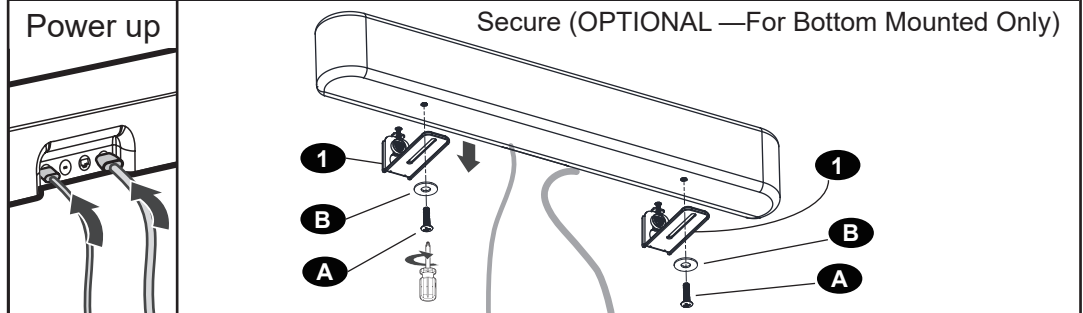
1. Please expand the Template **6**, level the template on the wall. Then mark the position you want according to the width of the previous step.
2. Drill pilot holes.
3. Install the concrete anchors **3** with the hammer.
4. Install the plastic washers **4** using the lag bolts **7** with screwdriver, NO Electro drill.

3

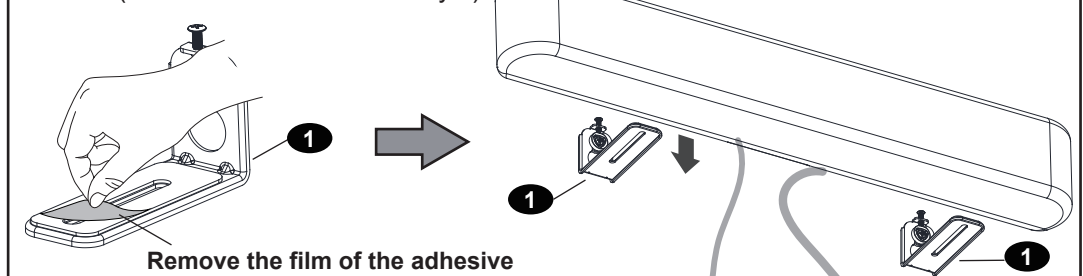
Step 2 Install bracket



Step 3 Install soundbar

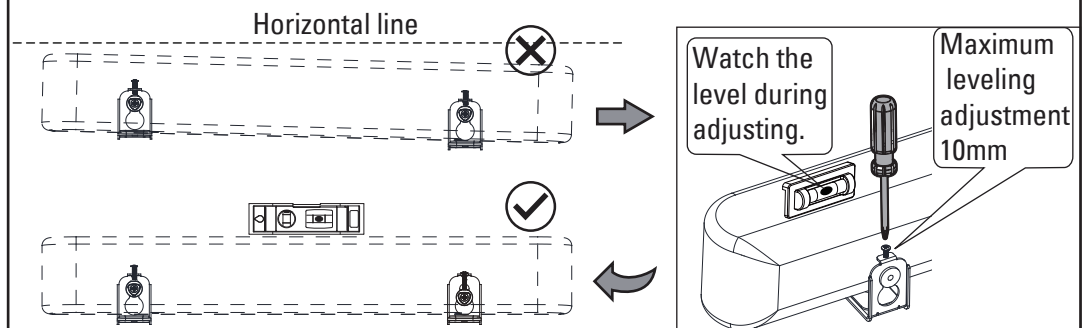


Secure (OPTIONAL — For Shelf style)



Option: Adjust the leveling screws on the brackets to level the soundbar

If the Soundbar is not level after installing, please find the bracket on the lower side and turn the leveling screw clockwise on the bracket to level the soundbar by using the screwdriver.



4