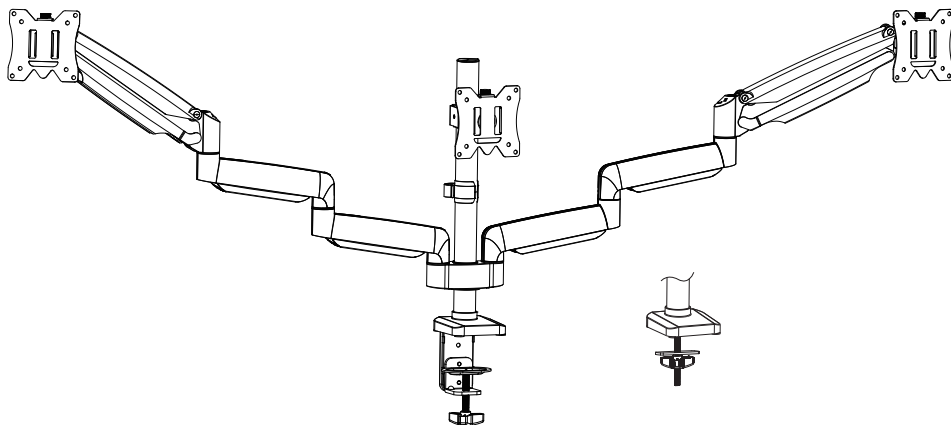

Premium Triple Monitor Stand

Instruction Manual



75x75mm
100x100mm



32"



(1~14kg)x3
(2.2~30.9lbs)x3

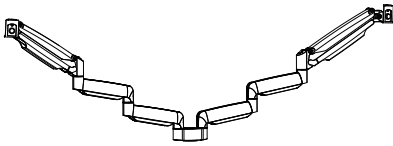
! WARNING!

If you have any confusion or are not quite sure about the installation, please do not hesitate to ask for our help.

Before assembly, please check and make sure all necessary accessories are included and undamaged. Improper installation (including not properly following the indicated instructions or cautions / attentions), such as using the product for monitors over its load capacity or for any purpose not explicitly specified, may cause damage or serious injury. We would not be liable for any damage or injury caused by improper mounting or inappropriate use.

The kit contains small items that could be choking hazards if swallowed. Please keep them OUT OF REACH OF CHILDREN UNDER 3 YEARS OLD. ADULT SUPERVISION IS REQUIRED.

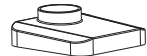
PACKAGE CONTENTS



A (x1)
Arm



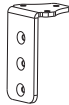
B (x1)
Pole



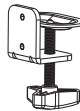
C (x1)
Base



D (x3)
VESA Plate



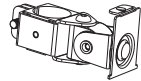
E (x1)
Bracket



F (x1)
Clamp



G (x1)
Support Cover



Q (x1)
Middle Head



H (x1)
Carriage Bolt



I (x1)
Support Plate



J (x1)
Grommet Base



K (x1)
Wingnut



L (x3)
Bolt M6x10mm



M (x1)
Wire clip



N (x5)
Bolt M6x10mm



O (x3)
Bolt M6x18mm



P (x4)
Pad



R(x1)
4mm Allen Key



S(x1)
5mm Allen Key



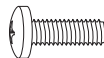
T(x1)
6mm Allen Key



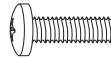
M-A (x12)
M4x12mm



M-B (x12)
M4x16mm



M-C (x12)
M6x12mm



M-D (x12)
M6x16mm



M-E (x12)
Washer D6mm



M-F (x12)
Spacer H5mm

NOTE Not all hardware included will be used.

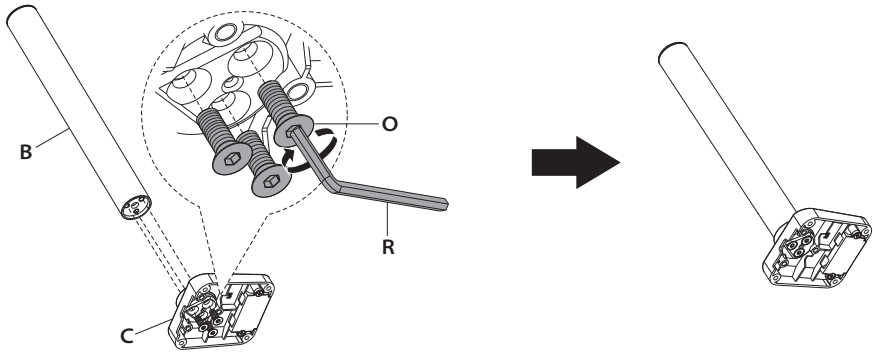


DO NOT EXCEED WEIGHT CAPACITY.

ASSEMBLY STEPS

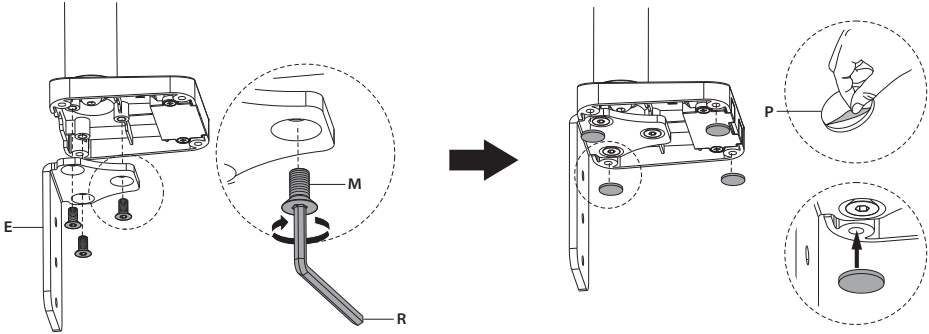
STEP 1 : Clamp Installation OR Grommet Base Installation

Firstly mount Base (C) to Pole (B) using Bolts (O). Tighten them using 4mm Allen Key (R).

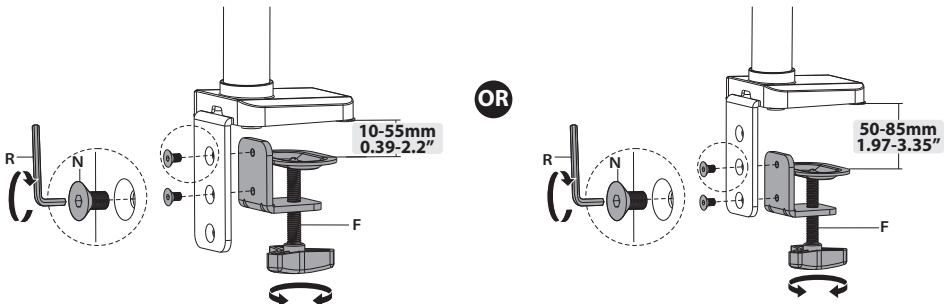


OPTION A: Clamp Installation

Mount Bracket (E) to Base (C) with Bolts (N). Bolts could be tightened by the 4mm Allen Key (R). Apply pads (P) to the bottom of Base (C) to avoid desk scratches.

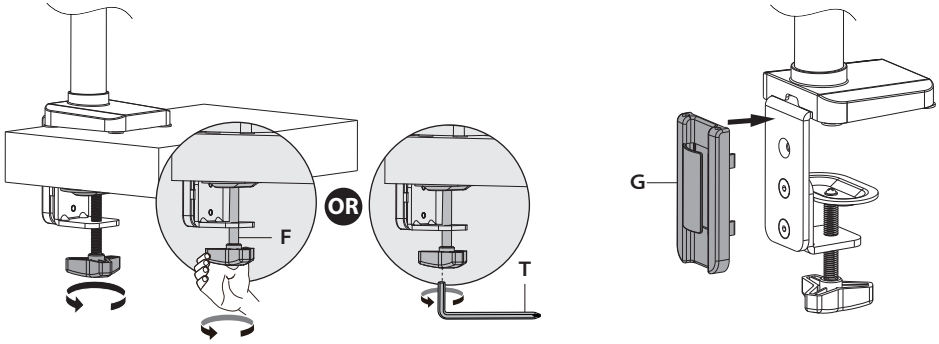


Attach Clamp (F) to Bracket (E) with Bolts (N) and 4mm Allen Key (R). Adjust the Clamp width to fit with desk.



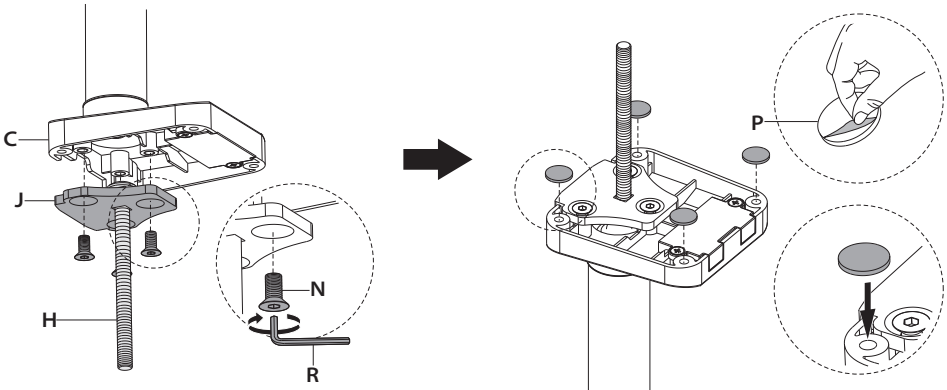
STEP 1 : (Continued)

Secure stand to desktop by tightening Clamp (F) or by Allen key (T).
Attach Base Support Cover (E) to Bracket (E).

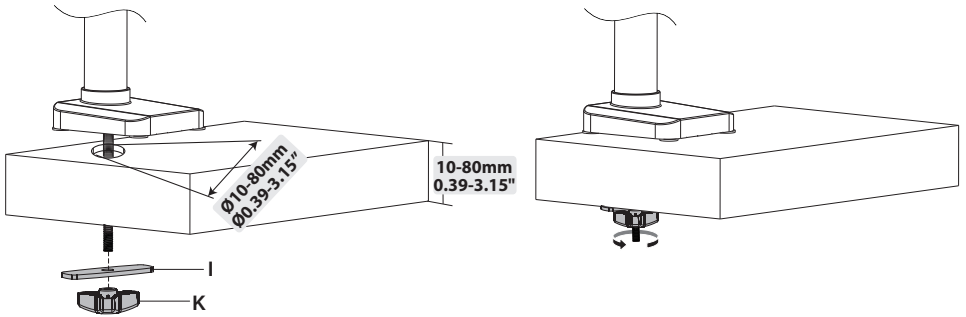


OPTION B: Grommet Base Installation

Place Carriage Bolt (H) through the center of Grommet Base (J).
Mount Grommet Base to Base (C) bottom with Bolts (N) and tighten them by 4mm Allen Key (R).
Apply pads (P) to the bottom of Base (C) to avoid desk scratches.

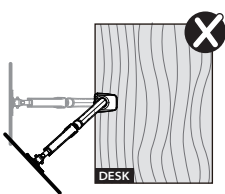
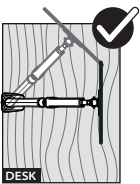
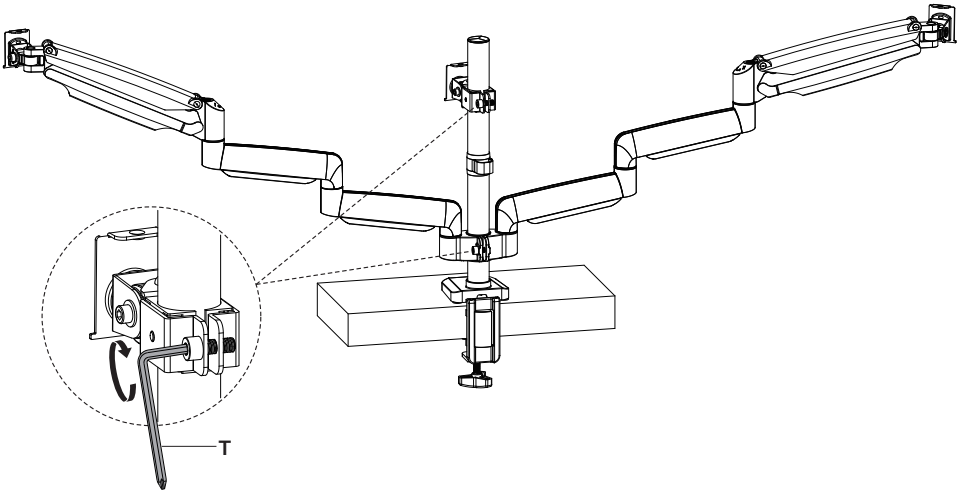
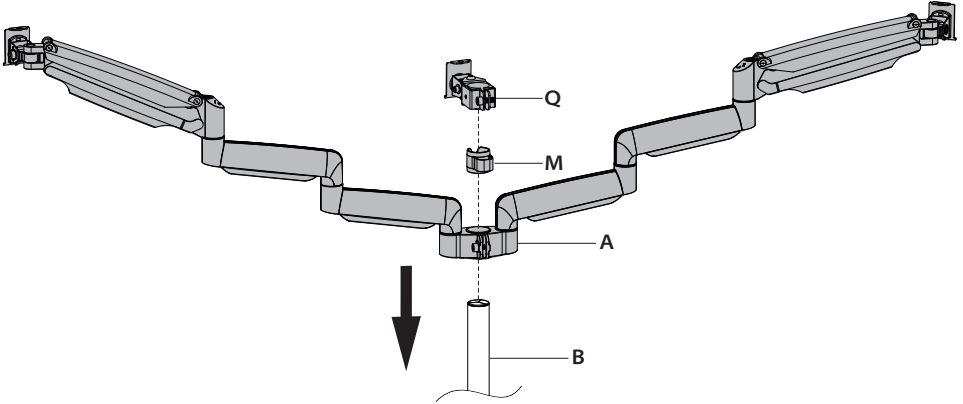


Run Carriage Bolt (H) through grommet hole on desktop. Attach Support Plate (I) and Wingnut (K).
At last, tighten Wingnut (K).



STEP 2 : Arm Installation

Install the middle head (Q) wire clip(M) and swivel arm (A) to the pole (B).
Fasten the bolt with supplied 6mm Allen key (T)

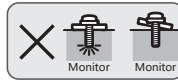
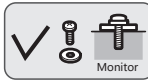


WARNING:
For your safety, do not move the stand off your desk!

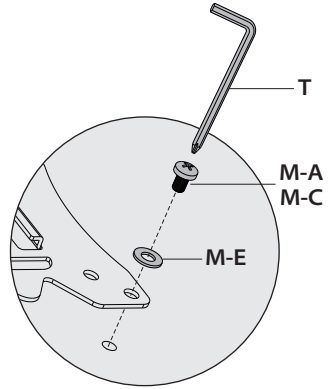
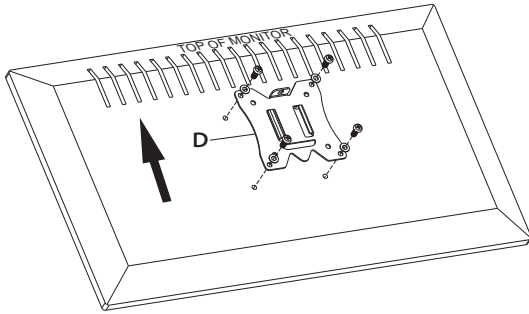
STEP 3 : Attach Monitor

OPTION A: Flat Back Monitor

Attach the VESA plate (D) to the back of monitor and secure it by using a 6 mm Allen Key (T) to tighten screws (M-A or M-C) along with washers (M-E).

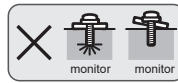
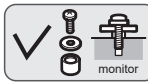


! Do not tighten the screws excessively or your monitor might be damaged.

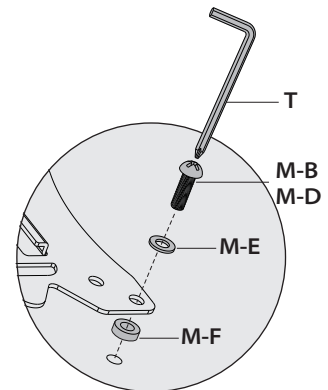
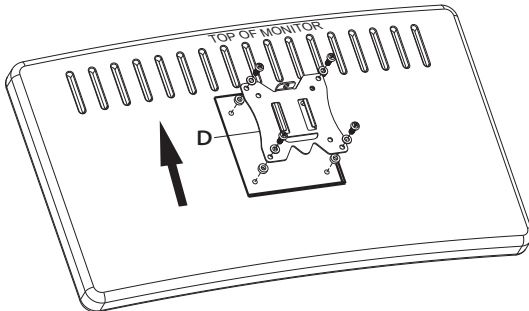


OPTION B: Curved / Recessed Back Monitor

Attach the VESA plate (D) to the back of monitor and secure it by using a 6 mm Allen Key (T) to tighten screws (M-B or M-D) along with washers (M-E) and spacers (M-F).

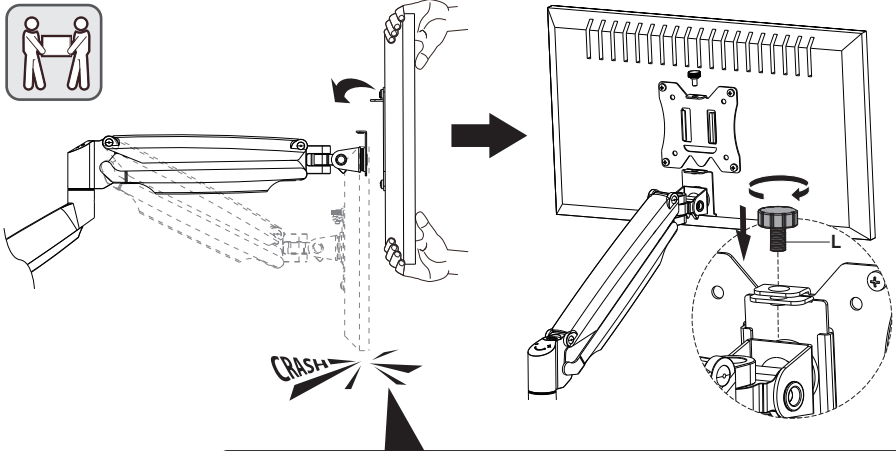


! Do not tighten the screws excessively or your monitor might be damaged.



STEP 4 : Hang Monitor

Slide the monitors onto the head of swivel arm. Install the security bolt (L). Make sure the security bolt is tightened before you rotate the monitor.

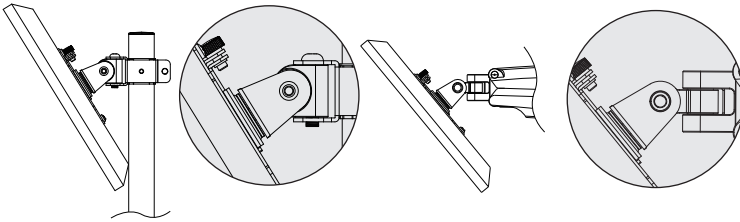


Important Notice:

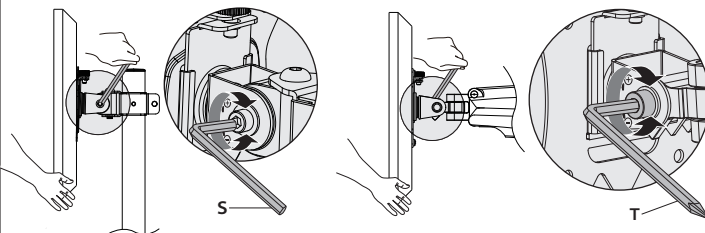
The pressure of the gas spring is initially set at the lowest value. So when the monitor is hung on, make sure you hold it with both hands and DO NOT let it go down suddenly.



Guideline to adjust monitor tilting angle.



Problem:
If monitor faces down

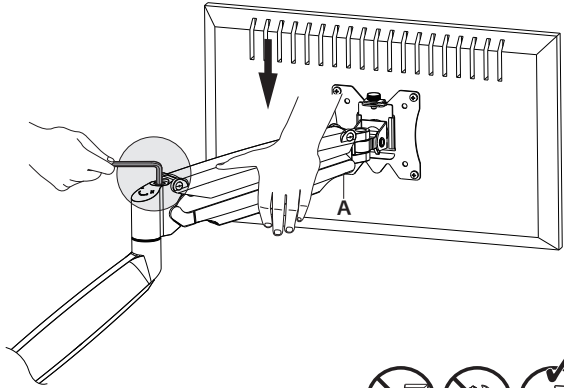
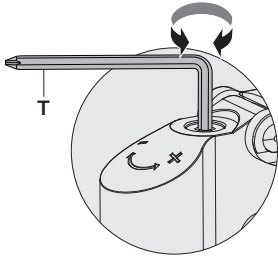


Solution:

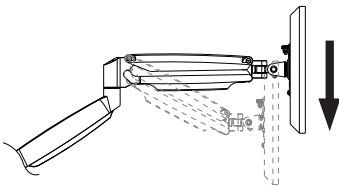
1. Loosen the tilting bolt.
2. Hold the bottom of monitor with one hand and adjust to determine your desired tilt angle.
3. Retighten the tilting bolt towards "+" to fix the angle.

STEP 5 : Adjust Gas Spring Tension

For intended functioning of the mount, you will need to adjust the tension of Arm (A) in accordance with your monitor weight by 6mm Allen Key (T).

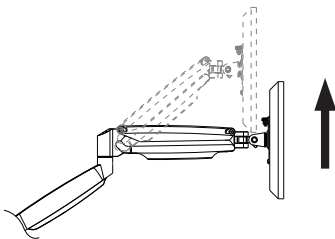


Note1:
Be sure to keep the arm in horizontal position during adjustment. Or else it would be difficult to adjust the mount or damage the mount.



Situation 1: Arm falls down
Upper Arm with monitor falls down and fails to stay where intended.

Solution:
Turn the inside screw counterclockwise(“+”direction) to increase gas spring tension until the arm can stay as intended.



Situation 2: Arm rises up/can't be pressed down
Upper Arm with monitor rises up automatically or can't be pressed down and fails to stay where intended.

Solution:
Turn the inside screw clockwise(“-”direction) to decrease gas spring tension until the arm can stay as intended.

Note2:
For how many circles the screw should be turned, please refer to the table below.

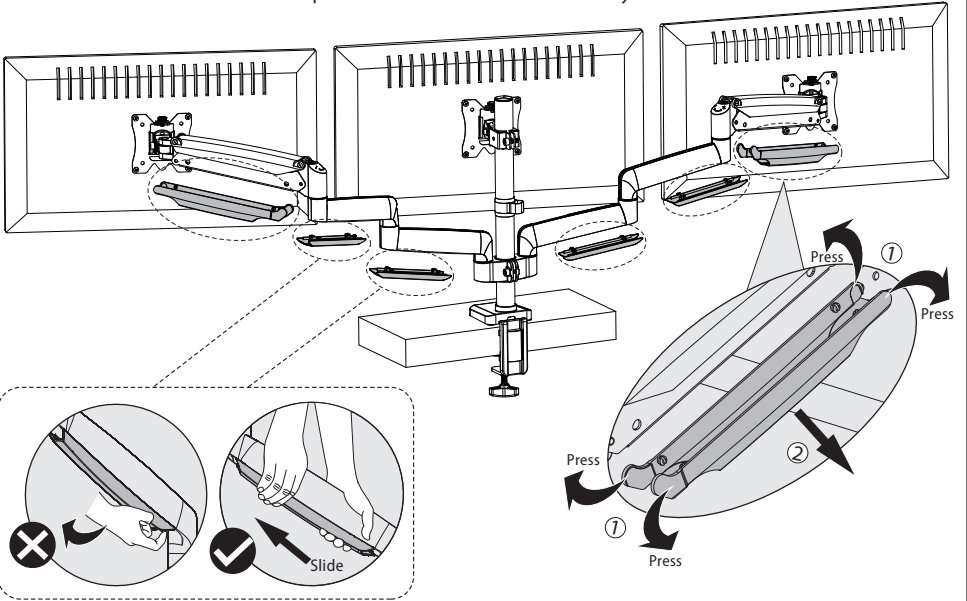
Monitor Weight	2.2 lbs (1 kg)	6.6 lbs (3 kg)	8.8 lbs (4 kg)	15.4 lbs (7 kg)	22 lbs (10 kg)	28.7 lbs (13 kg)	30.9 lbs (14 kg)
Circles (AT LEAST)	min	5	7	10	13	16	20

STEP 6 : Cable Management

Remove Cable Cover

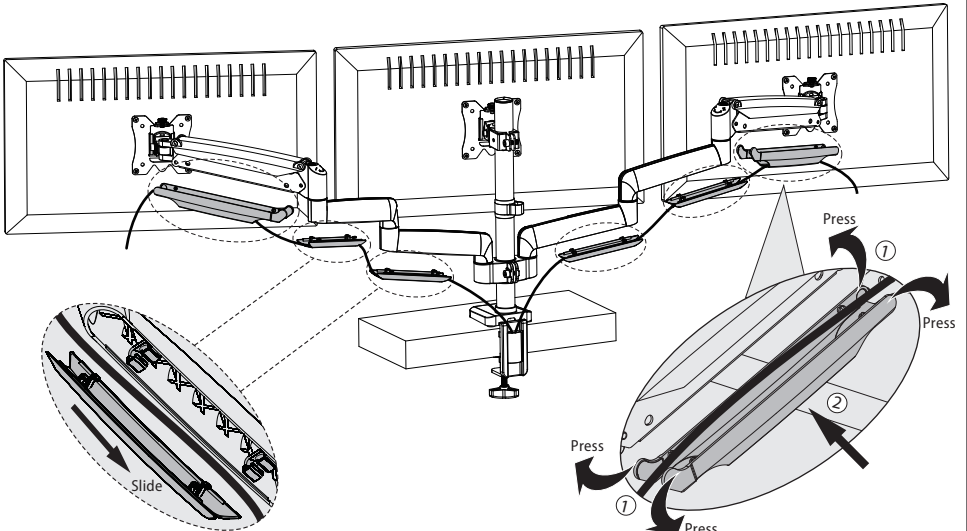
Remove bottom plastic covers from arm as shown in diagram.

Do not need to take much effort to pull the ends of the cable cover away from the arm.



Attach Cable Cover

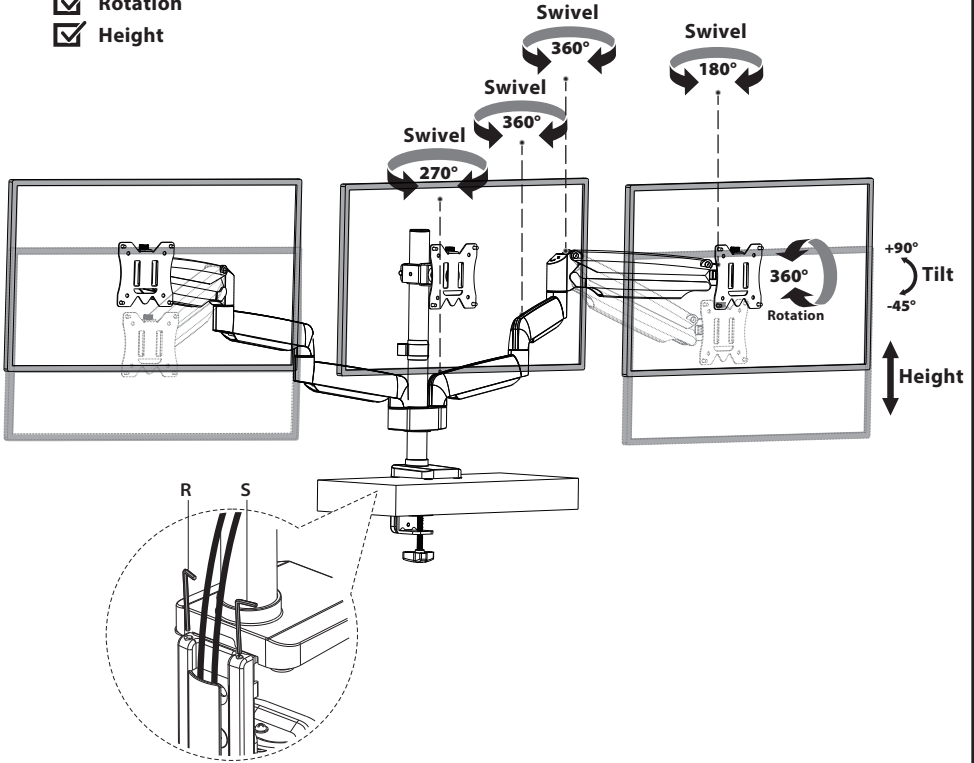
Run cables from monitor through bottom of arm. Reattach plastic covers as shown in diagram.



Adjust as Desired

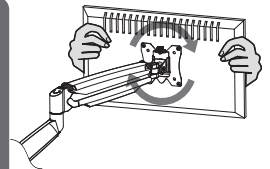
Adjust monitor position and rotation.
Store Allen keys (R, S) in wire clip (G) for future use.

- Tilt
- Swivel
- Rotation
- Height

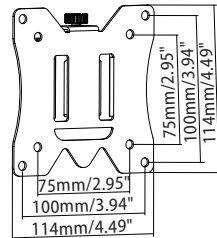
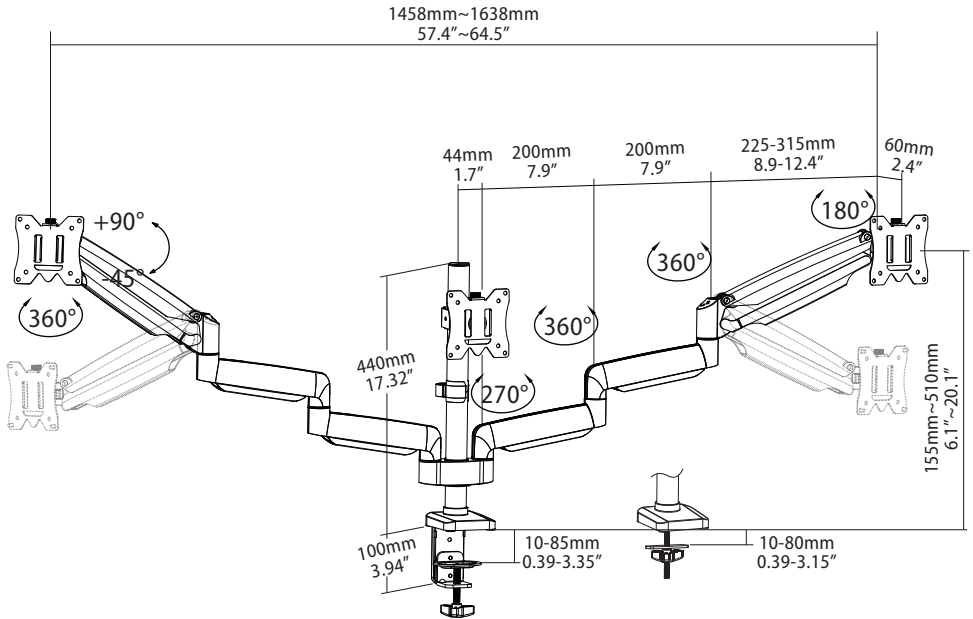


Note: To ensure stability, the tightness of the rotating axis has been preset, so it would be kind of difficult to rotate the VESA plate.

Suggestion: Please attach the monitor first, then hold the two sides of it with both hands, and rotate vigorously. If that doesn't work out, please do not hesitate to ask for our help.



Product Dimensions





CAUTION AND MAINTENANCE:

- Don't allow children to climb, stand, hang, or play on any part of monitor or stand.
- This product is intended for indoor use only. Using this product outdoors could lead to product failure and personal injury.
- Check that the bracket is secure and safe to use at regular intervals (at least every three months).