

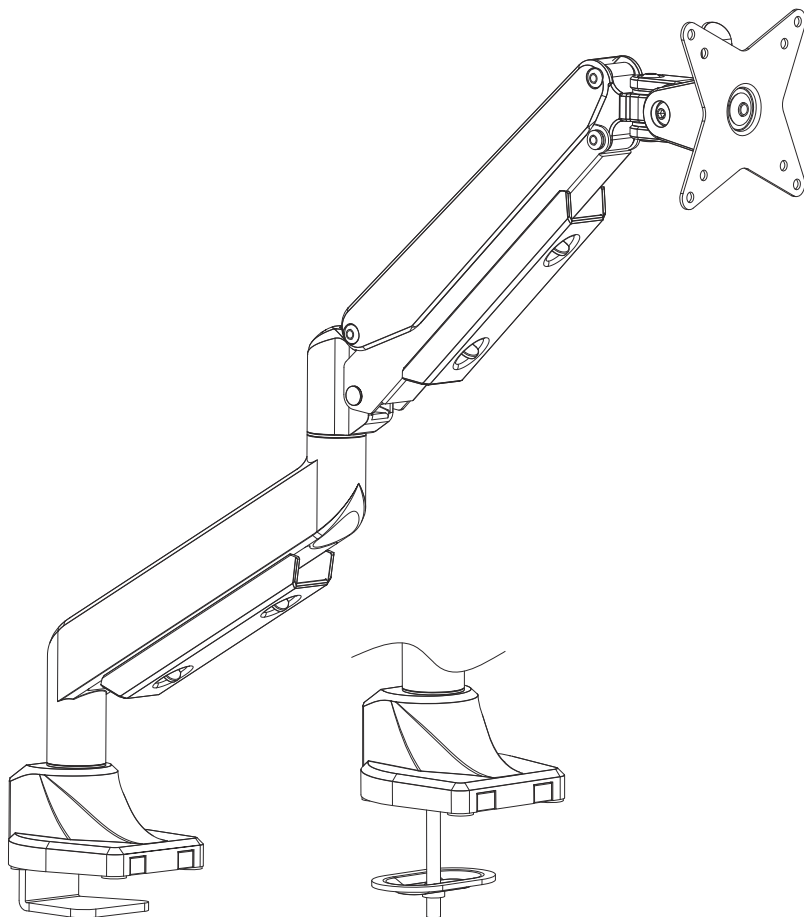
---

# Premium Single Monitor Stand

## Instruction Manual

US1.0

---



**75 x 75 mm**  
**100x100mm**



**6.6 ~ 33 lbs**  
**3~15kg**

---

If you have any questions, please feel free to contact Customer Service via Amazon before returning.

# SAFETY INSTRUCTIONS

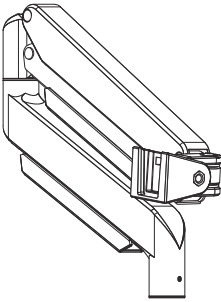
## BEFORE ASSEMBLY

- Layout all components and hardware. Check all parts are included and undamaged.
- Should anybody intends to install or use this monitor arm, please read and understand this manual carefully.

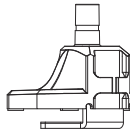
## WARNING

- This product contains small items that could be a choking hazard if swallowed.
- KEEP AWAY FROM CHILDREN UNDER 3 YEARS OLD. ADULT SUPERVISION IS REQUIRED.
- Improper installation, such as using the product for monitors over its load capacity or for any purpose not explicitly specified, may cause damage or serious injury. We would not be liable for any damage or injury caused by improper mounting or inappropriate use.
- If you do not understand these instructions or have any doubt about the safety instructions, assembly or use of this product, please contact our customer service.

## Part List



**1** Arm Set (x1)



**2** Base (x1)



**3** Vesa Plate (x1)



**4** Plate (x1)



**5** M8x150  
Screw Bolt (x1)

## TOOLS



**6** 5mm  
Allen Key (x1)



**7** 3mm  
Allen Key (x1)

## VESA SCREWS



A(x4)  
M4x12



B(x4)  
M4x16



C(x4)  
M5x12



D(x4)  
M5x16



E(x4)  
D5 Washer



F(x4)  
D5 Plastic Spacer

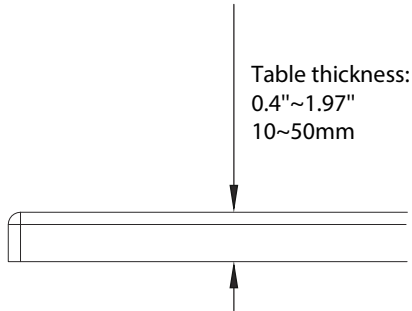
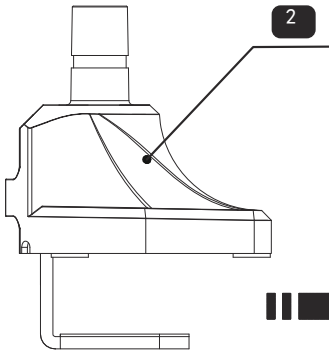
# ASSEMBLY STEPS

## STEP 1: Mounting the Base

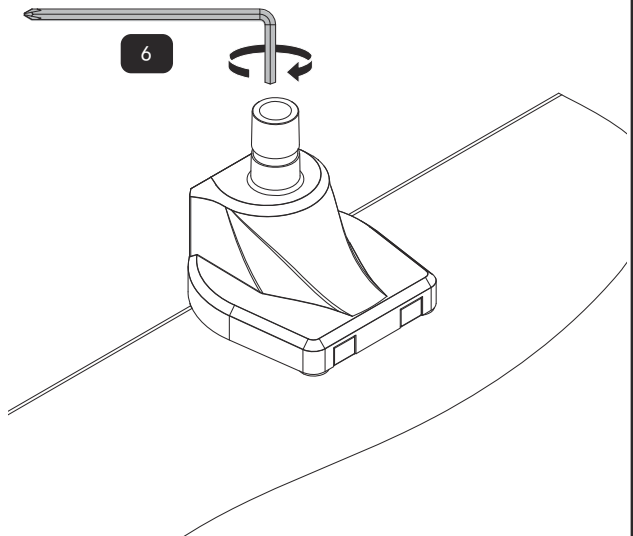
### OPTION A: Clamp Installation



Adjust the Clamp width to fit with desk.

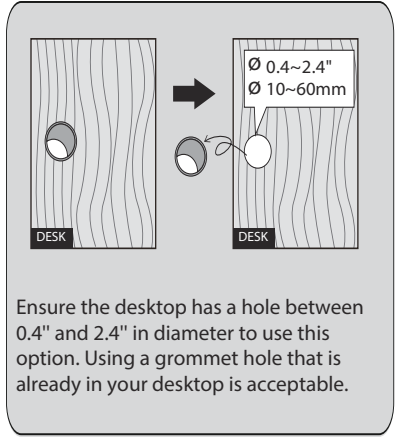
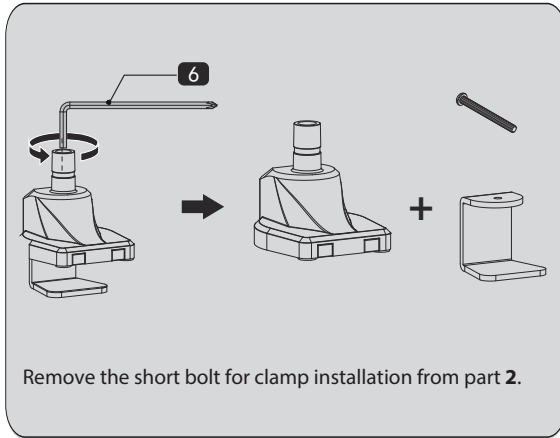


Secure stand to desktop by tightening Clamp with Allen key (6).

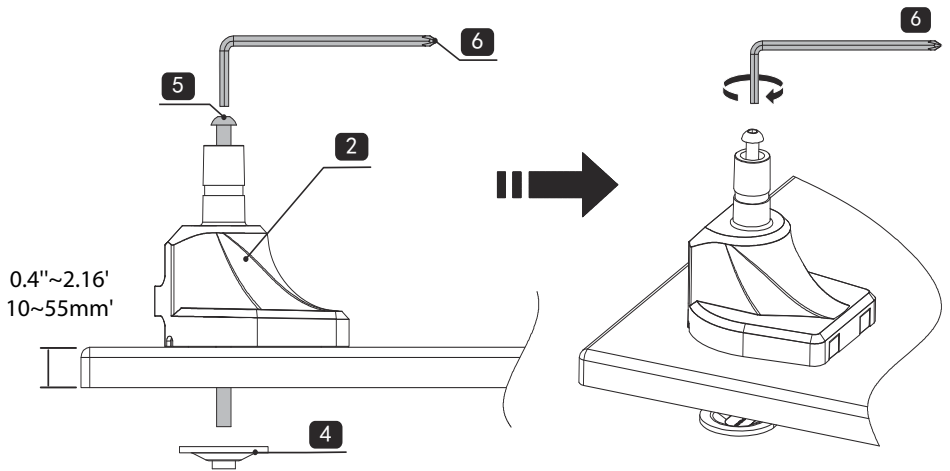


# STEP 1: Mounting the Base

## OPTION B: Grommet Installation

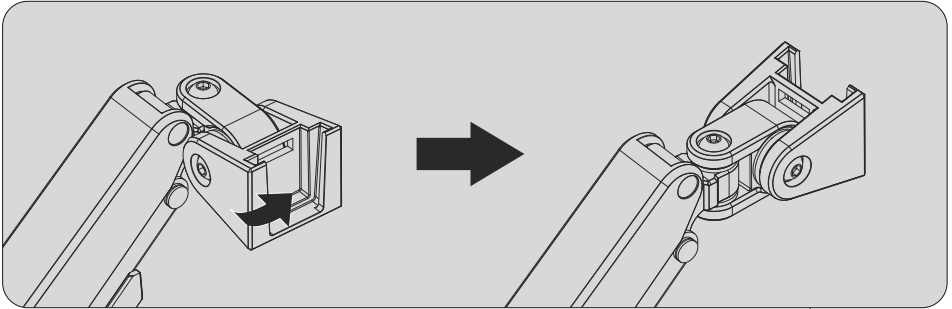


Insert the long bolt (5) through the plate (4) and the hole on the table top, and then use the Allen key (6) to tighten.

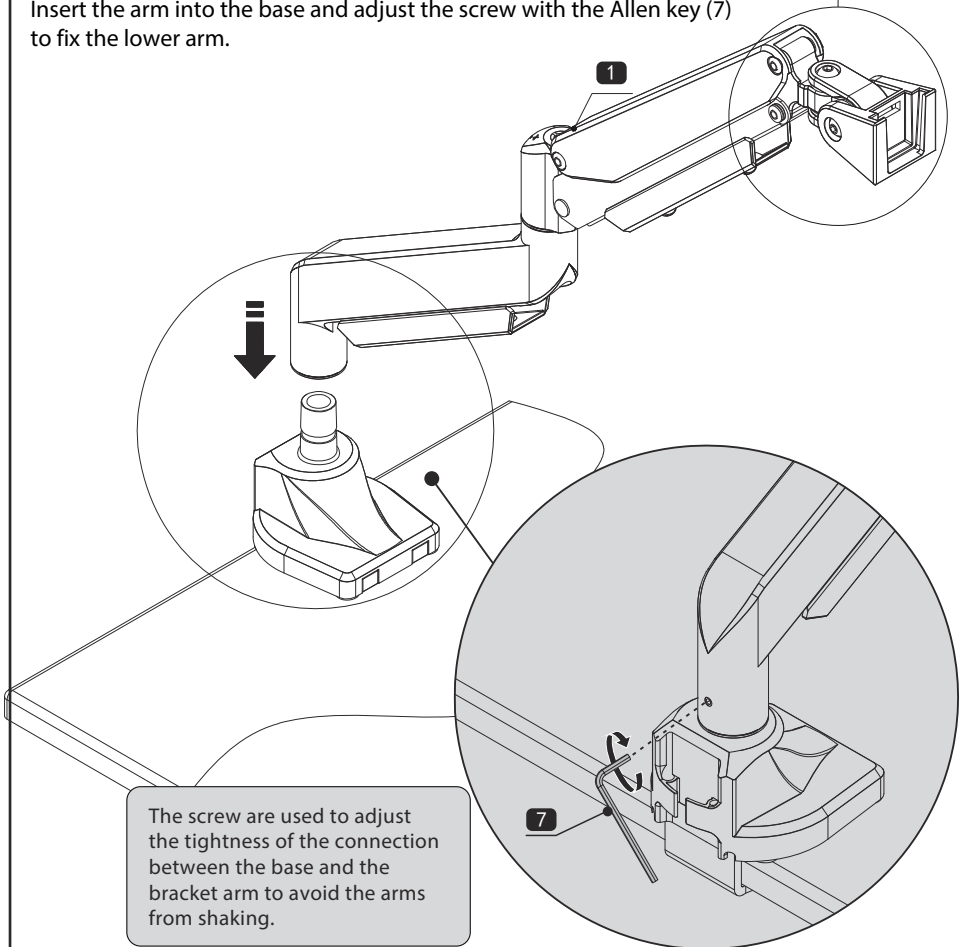


## STEP 2: Arm Installation

Turn the head to the straight by hand before assembling the arm.



Insert the arm into the base and adjust the screw with the Allen key (7) to fix the lower arm.

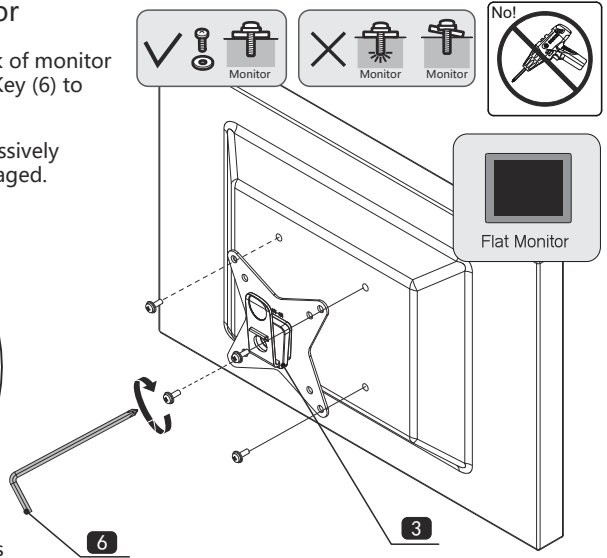
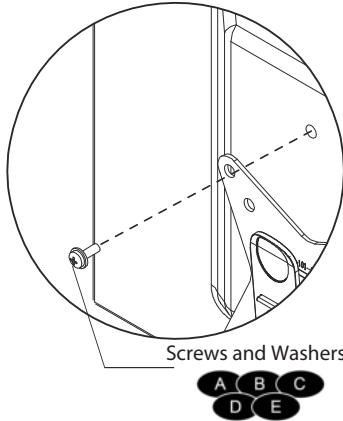


## STEP 3 : Attach Monitor

### OPTION A: Flat Back Monitor

Attach the VESA plate (3) to the back of monitor and secure it by using a 5mm Allen Key (6) to tighten screws along with washers.

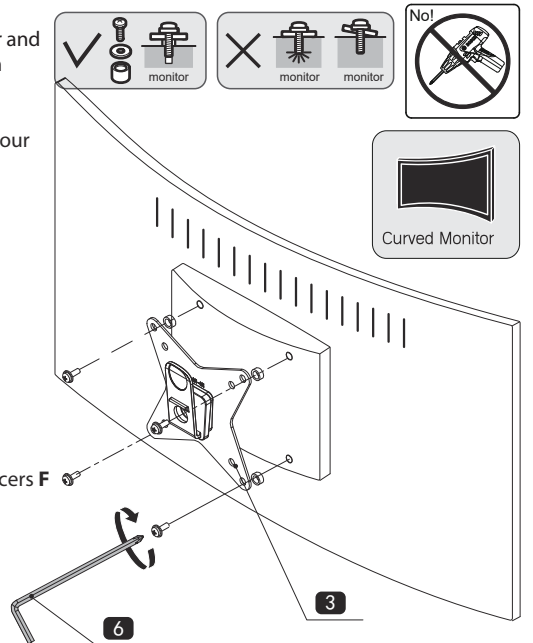
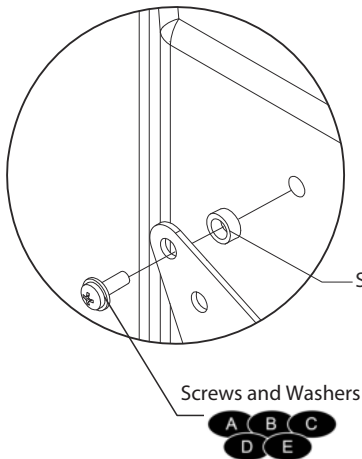
**!** Do not tighten the screws excessively or your monitor might be damaged.



### OPTION B: Curved / Recessed Back Monitor

Attach the VESA plate (3) to the back of monitor and secure it by using a 5mm Allen Key (6) to tighten screws along with washers and spacers.

**!** Do not tighten the screws excessively or your monitor might be damaged.



## STEP 4: Hang Monitor and Adjust Monitor Tilting Angle

Slide the monitors onto the head of arm.

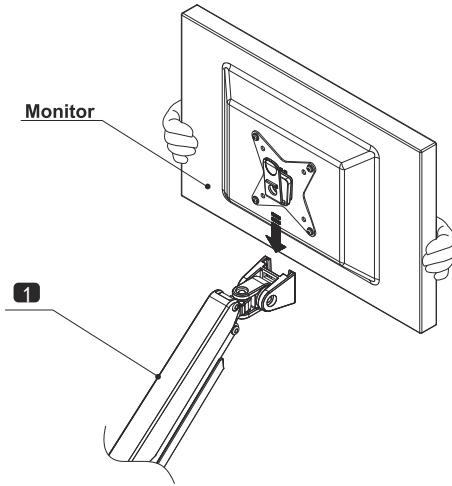


**HEAVY!** You may need assistance with this step.

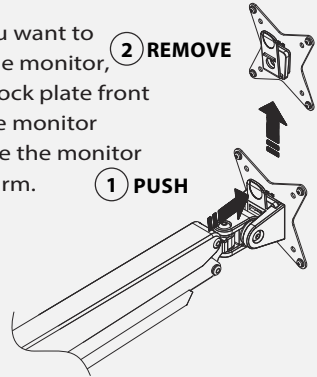


**Important Notice:**

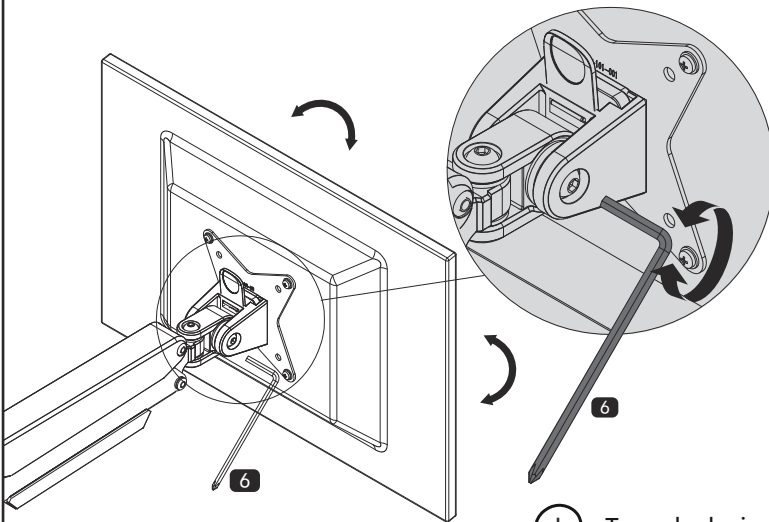
The pressure of the gas spring is initially set to an intermediate value. So when the monitor hangs, make sure to hold it with both hands and don't let it drop suddenly.



Note: If you want to remove the monitor, **2 REMOVE** push the lock plate front and lift the monitor to separate the monitor from the arm. **1 PUSH**



If the tilt adjustment mechanism is too tight or too loose, please adjust the screw as showed below.



Turn clockwise to tighten



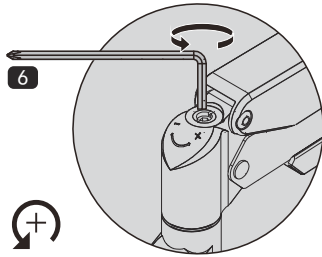
Turn counterclockwise to loose

## STEP 5: Adjust Gas Spring Tension

For proper functioning of this mount, depending on different weight of monitor you might need to adjust tension in upper arm (1).

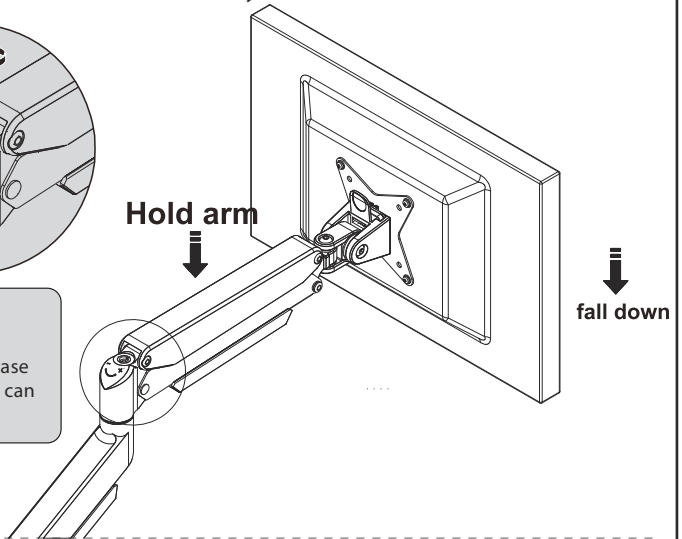
### Situation 1: Arm falls down

Upper Arm with monitor falls down and fails to stay where intended.



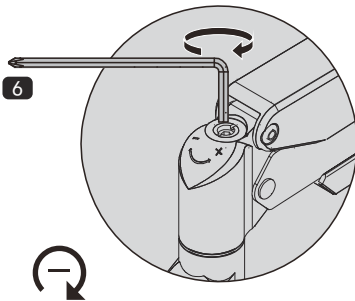
#### Solution:

Turn the inside screw counter-clockwise ("+" direction) to increase gas spring tension until the arm can stay as intended.



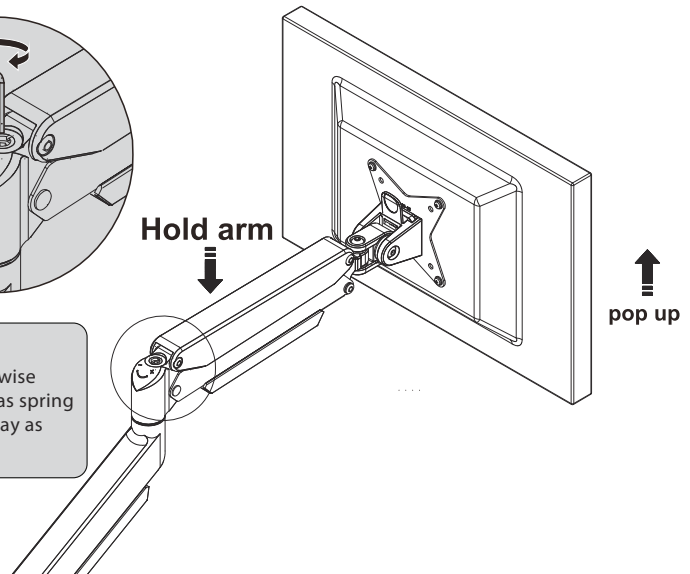
### Situation 2: Arm rises up / can't be pressed down

Upper Arm with monitor rises up automatically or can't be pressed down and fails to stay where intended.



#### Solution:

Turn the inside screw clockwise ("-") direction) to decrease gas spring tension until the arm can stay as intended.

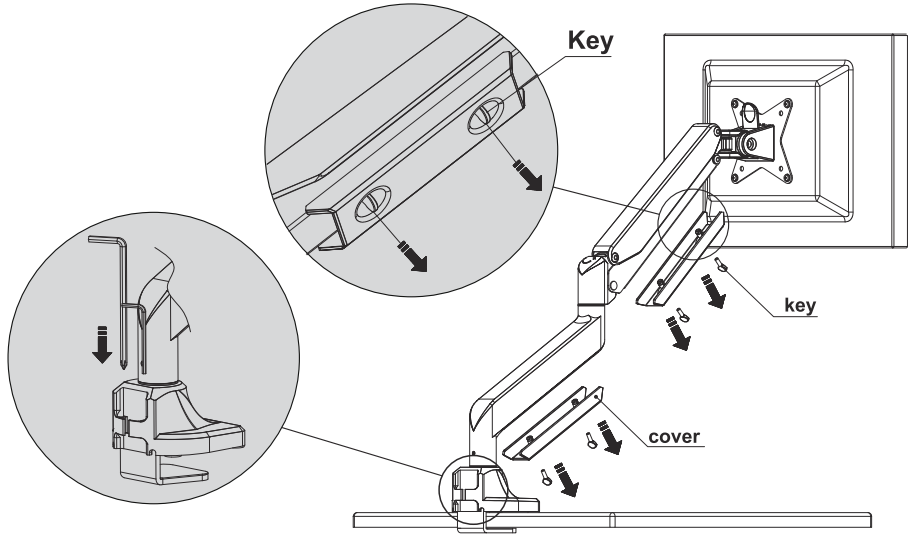




## STEP 6: Cable Management

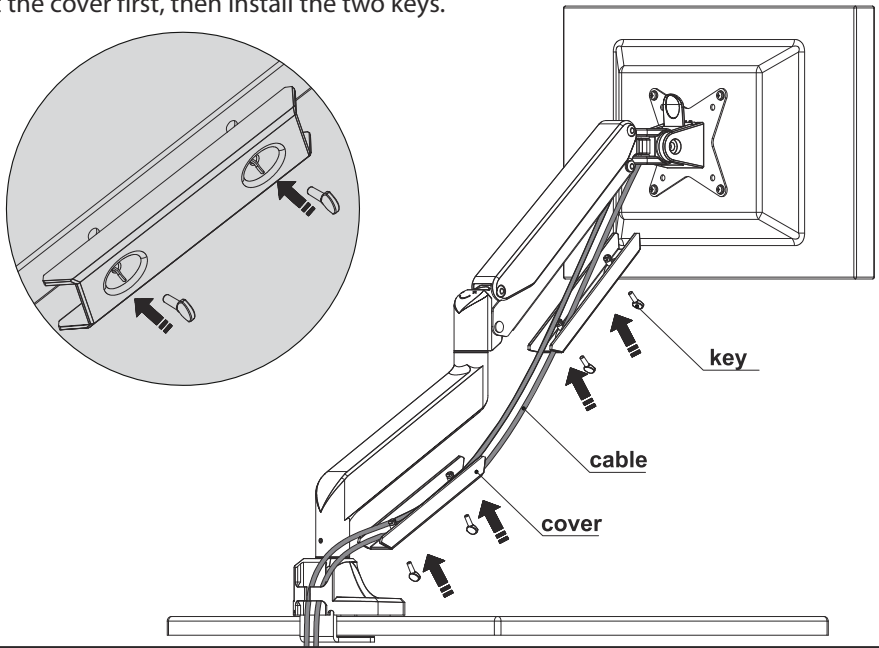
### Remove Cable Cover

Remove two keys first, then remove the cover.



### Attach Cable Cover

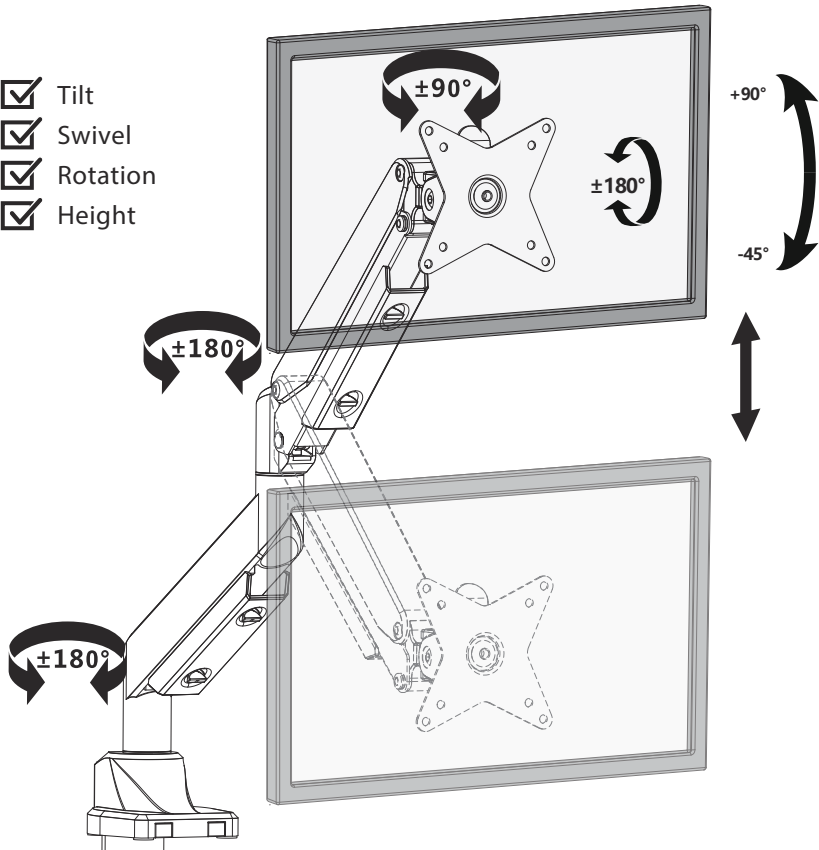
Insert the cover first, then install the two keys.



# Adjust as Desired

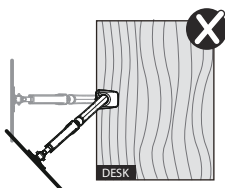
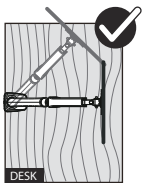
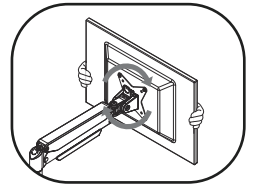
Adjust monitor position and rotation.

- Tilt
- Swivel
- Rotation
- Height



Note: To ensure stability, the tightness of the rotating axis has been preset, so it would be kind of difficult to rotate the VESA plate.

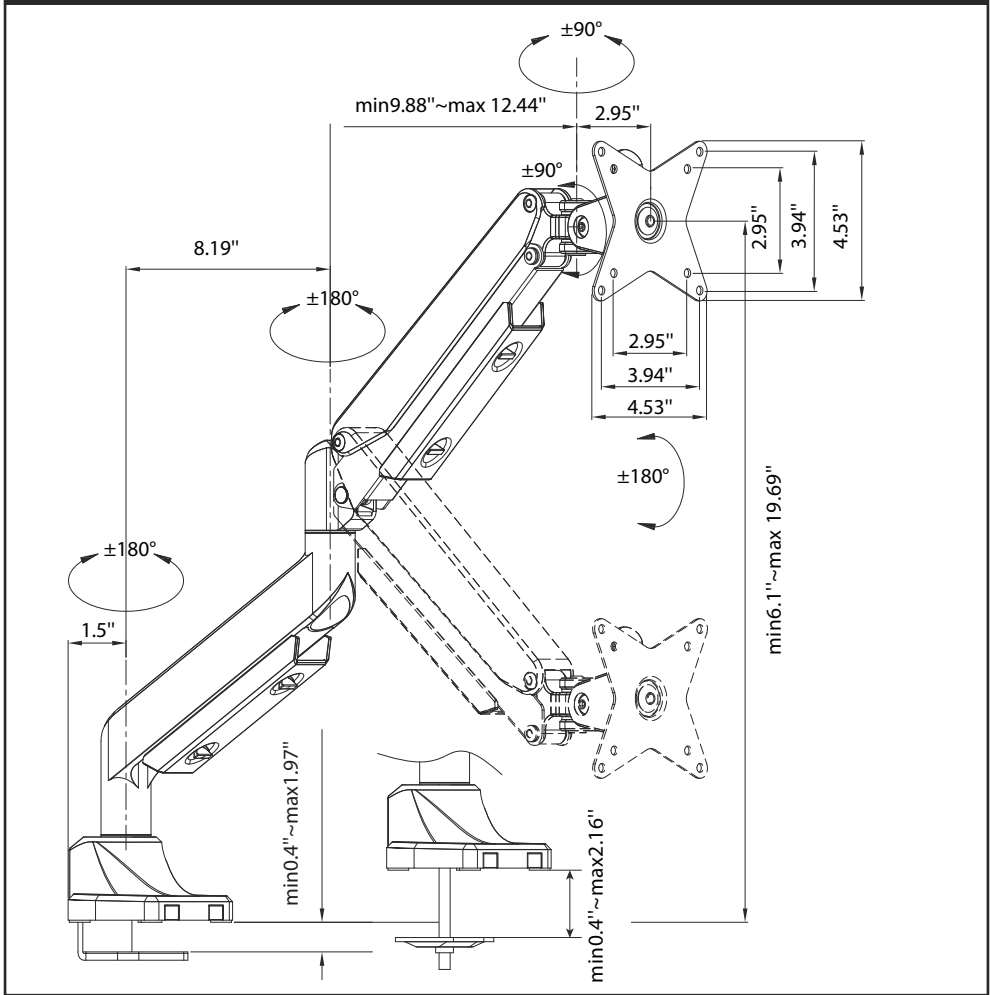
Suggestion: Please attach the monitor first, then hold the two sides of it with both hands, and rotate vigorously. If that doesn't work out, please do not hesitate to ask for our help.



## WARNING:

For your safety, do not move the stand off your desk!

# Product Dimensions



## CAUTION AND MAINTENANCE:

- Never allow children to climb, stand, hang, or play on any part of monitor or stand.
- This product is intended for indoor use only. Using this product outdoors could lead to product failure and personal injury.
- Check that the bracket is secure and safe to use at regular intervals (at least every three months).

